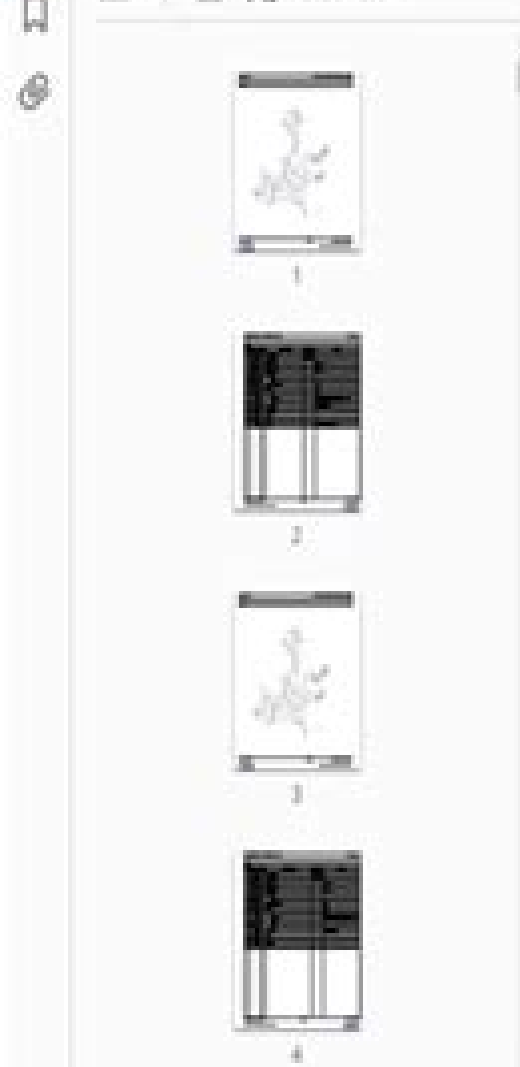


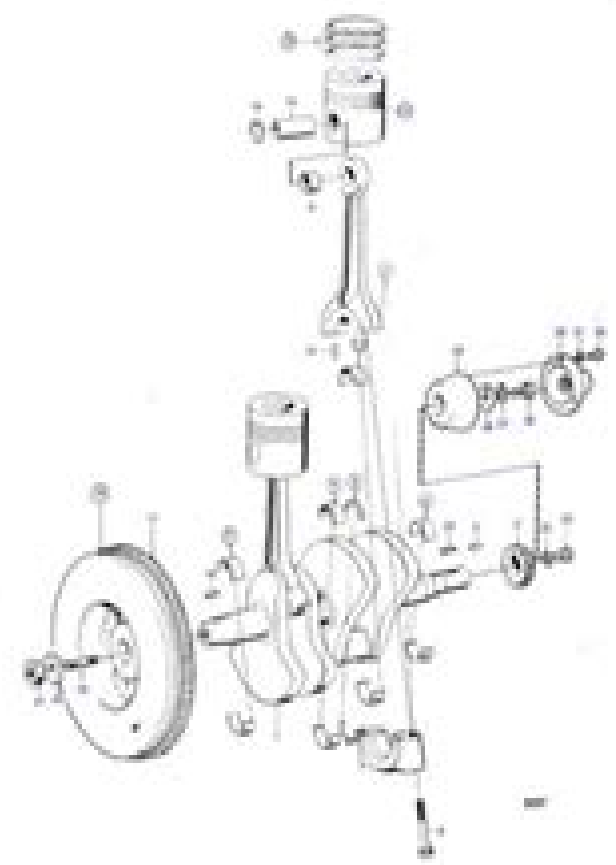


Page Thumbnails X



21 Crankshaft and Related Parts

Scale



Md6b Manual

Lingjun Ying



Md6b Manual:

Machine Design, 1963 **Scientific Basis for Nuclear Waste Management XVIII** Takashi Murakami, Rodney C. Ewing, 1995 **The Fluid Power Book Issue** Machine design, 1963 **Administrative Medical Assisting** Marilyn Takahashi Fordney, Joan Johnson Follis, 1993 *Technical Manual* United States Department of the Army, 1948

Instruction Manual, 1985 **Soldier's Manual** United States. Department of the Army, 1977 **Operator's Manual**, 1983 Operator's Manual, 1982 *Workshop Manual Supplementary Instructions for LDO. 1M and LDO. 2M Range :1-ton and 1 1/2-ton Forward-control Vehicles*, 1955 *TM 9-1005-223-10 Operator's Manual for Rifle, 7.62mm, M14, W/E and M14a1, W/E* Department of Defense, 2017-11-30 The 1972 Operator's Manual for the 7.62mm M14 and M14A1 W E Rifle Technical Manual United States. War Department, 1942 **A40, Mk. I, Mk. II**, 1966 **TM 9-2350-255-10-3 M1 ABRAMS TANK Operator's Manual - Troubleshooting And Maintenance** U.S. Army, I scanned the original manual at 600 dpi MDS 3.0 Rai User's Manual, Version 3.7 HCPro, 2013-01-01 User's Manual for the List of Parts, 1967 **Manual NGB.** United States. National Guard Bureau, 1950 **BSA D 10 Models**, 1967 **Operator's Manual**, 1984 This manual is for use when operating and maintaining the M1 Ballistic Computer and Laser Rangefinder Troubleshooting Trainer Device 17 68 3 P 1 1 Operator, Organizational, Direct Support, and General Support Maintenance Manual for M48A1, General Maintenance, Service Upon Receipt, Shipping and Storage, and Demolition to Prevent Enemy Use, Chaparral Air Defense Guided Missile System, 1981

Fuel your quest for knowledge with is thought-provoking masterpiece, **Md6b Manual** . This educational ebook, conveniently sized in PDF (Download in PDF: *), is a gateway to personal growth and intellectual stimulation. Immerse yourself in the enriching content curated to cater to every eager mind. Download now and embark on a learning journey that promises to expand your horizons. .

https://crm.allthingsbusiness.co.uk/files/scholarship/Download_PDFS/music_minus_one_oboe_oboe_classics_for_beginner_sheet_music_and_cd.pdf

Table of Contents Md6b Manual

1. Understanding the eBook Md6b Manual
 - The Rise of Digital Reading Md6b Manual
 - Advantages of eBooks Over Traditional Books
2. Identifying Md6b Manual
 - Exploring Different Genres
 - Considering Fiction vs. Non-Fiction
 - Determining Your Reading Goals
3. Choosing the Right eBook Platform
 - Popular eBook Platforms
 - Features to Look for in an Md6b Manual
 - User-Friendly Interface
4. Exploring eBook Recommendations from Md6b Manual
 - Personalized Recommendations
 - Md6b Manual User Reviews and Ratings
 - Md6b Manual and Bestseller Lists
5. Accessing Md6b Manual Free and Paid eBooks
 - Md6b Manual Public Domain eBooks
 - Md6b Manual eBook Subscription Services

- Md6b Manual Budget-Friendly Options
- 6. Navigating Md6b Manual eBook Formats
 - ePub, PDF, MOBI, and More
 - Md6b Manual Compatibility with Devices
 - Md6b Manual Enhanced eBook Features
- 7. Enhancing Your Reading Experience
 - Adjustable Fonts and Text Sizes of Md6b Manual
 - Highlighting and Note-Taking Md6b Manual
 - Interactive Elements Md6b Manual
- 8. Staying Engaged with Md6b Manual
 - Joining Online Reading Communities
 - Participating in Virtual Book Clubs
 - Following Authors and Publishers Md6b Manual
- 9. Balancing eBooks and Physical Books Md6b Manual
 - Benefits of a Digital Library
 - Creating a Diverse Reading Collection Md6b Manual
- 10. Overcoming Reading Challenges
 - Dealing with Digital Eye Strain
 - Minimizing Distractions
 - Managing Screen Time
- 11. Cultivating a Reading Routine Md6b Manual
 - Setting Reading Goals Md6b Manual
 - Carving Out Dedicated Reading Time
- 12. Sourcing Reliable Information of Md6b Manual
 - Fact-Checking eBook Content of Md6b Manual
 - Distinguishing Credible Sources
- 13. Promoting Lifelong Learning
 - Utilizing eBooks for Skill Development
 - Exploring Educational eBooks
- 14. Embracing eBook Trends

- Integration of Multimedia Elements
- Interactive and Gamified eBooks

Md6b Manual Introduction

In the digital age, access to information has become easier than ever before. The ability to download Md6b Manual has revolutionized the way we consume written content. Whether you are a student looking for course material, an avid reader searching for your next favorite book, or a professional seeking research papers, the option to download Md6b Manual has opened up a world of possibilities. Downloading Md6b Manual provides numerous advantages over physical copies of books and documents. Firstly, it is incredibly convenient. Gone are the days of carrying around heavy textbooks or bulky folders filled with papers. With the click of a button, you can gain immediate access to valuable resources on any device. This convenience allows for efficient studying, researching, and reading on the go. Moreover, the cost-effective nature of downloading Md6b Manual has democratized knowledge. Traditional books and academic journals can be expensive, making it difficult for individuals with limited financial resources to access information. By offering free PDF downloads, publishers and authors are enabling a wider audience to benefit from their work. This inclusivity promotes equal opportunities for learning and personal growth. There are numerous websites and platforms where individuals can download Md6b Manual. These websites range from academic databases offering research papers and journals to online libraries with an expansive collection of books from various genres. Many authors and publishers also upload their work to specific websites, granting readers access to their content without any charge. These platforms not only provide access to existing literature but also serve as an excellent platform for undiscovered authors to share their work with the world. However, it is essential to be cautious while downloading Md6b Manual. Some websites may offer pirated or illegally obtained copies of copyrighted material. Engaging in such activities not only violates copyright laws but also undermines the efforts of authors, publishers, and researchers. To ensure ethical downloading, it is advisable to utilize reputable websites that prioritize the legal distribution of content. When downloading Md6b Manual, users should also consider the potential security risks associated with online platforms. Malicious actors may exploit vulnerabilities in unprotected websites to distribute malware or steal personal information. To protect themselves, individuals should ensure their devices have reliable antivirus software installed and validate the legitimacy of the websites they are downloading from. In conclusion, the ability to download Md6b Manual has transformed the way we access information. With the convenience, cost-effectiveness, and accessibility it offers, free PDF downloads have become a popular choice for students, researchers, and book lovers worldwide. However, it is crucial to engage in ethical downloading practices and prioritize personal security when utilizing online platforms. By doing so, individuals can make the most of the vast array of free PDF resources available and embark on a journey of continuous

learning and intellectual growth.

FAQs About Md6b Manual Books

How do I know which eBook platform is the best for me? Finding the best eBook platform depends on your reading preferences and device compatibility. Research different platforms, read user reviews, and explore their features before making a choice. Are free eBooks of good quality? Yes, many reputable platforms offer high-quality free eBooks, including classics and public domain works. However, make sure to verify the source to ensure the eBook credibility. Can I read eBooks without an eReader? Absolutely! Most eBook platforms offer webbased readers or mobile apps that allow you to read eBooks on your computer, tablet, or smartphone. How do I avoid digital eye strain while reading eBooks? To prevent digital eye strain, take regular breaks, adjust the font size and background color, and ensure proper lighting while reading eBooks. What the advantage of interactive eBooks? Interactive eBooks incorporate multimedia elements, quizzes, and activities, enhancing the reader engagement and providing a more immersive learning experience. Md6b Manual is one of the best book in our library for free trial. We provide copy of Md6b Manual in digital format, so the resources that you find are reliable. There are also many Ebooks of related with Md6b Manual. Where to download Md6b Manual online for free? Are you looking for Md6b Manual PDF? This is definitely going to save you time and cash in something you should think about. If you trying to find then search around for online. Without a doubt there are numerous these available and many of them have the freedom. However without doubt you receive whatever you purchase. An alternate way to get ideas is always to check another Md6b Manual. This method for see exactly what may be included and adopt these ideas to your book. This site will almost certainly help you save time and effort, money and stress. If you are looking for free books then you really should consider finding to assist you try this. Several of Md6b Manual are for sale to free while some are payable. If you arent sure if the books you would like to download works with for usage along with your computer, it is possible to download free trials. The free guides make it easy for someone to free access online library for download books to your device. You can get free download on free trial for lots of books categories. Our library is the biggest of these that have literally hundreds of thousands of different products categories represented. You will also see that there are specific sites catered to different product types or categories, brands or niches related with Md6b Manual. So depending on what exactly you are searching, you will be able to choose e books to suit your own need. Need to access completely for Campbell Biology Seventh Edition book? Access Ebook without any digging. And by having access to our ebook online or by storing it on your computer, you have convenient answers with Md6b Manual To get started finding Md6b Manual, you are right to find our website which has a comprehensive collection of books online. Our library is the biggest of these that have literally hundreds of thousands of

different products represented. You will also see that there are specific sites catered to different categories or niches related with Md6b Manual So depending on what exactly you are searching, you will be able to choose ebook to suit your own need. Thank you for reading Md6b Manual. Maybe you have knowledge that, people have search numerous times for their favorite readings like this Md6b Manual, but end up in harmful downloads. Rather than reading a good book with a cup of coffee in the afternoon, instead they juggled with some harmful bugs inside their laptop. Md6b Manual is available in our book collection an online access to it is set as public so you can download it instantly. Our digital library spans in multiple locations, allowing you to get the most less latency time to download any of our books like this one. Merely said, Md6b Manual is universally compatible with any devices to read.

Find Md6b Manual :

[music minus one oboe oboe classics for beginner sheet music and cd](#)

mustang skid steer 332 parts manual

multiple files into one

music content knowledge study guide 0114

[muziek in de kinderrevalidatie](#)

[my career story subtitles on or off](#)

muslim women in america the challenge of islamic identity today

~~mustang skid steer loader repair manual~~

[music and movement games](#)

[music reading for electric guitar grade one](#)

[muslims dalits and the fabrications of history](#)

~~murderville 2 the epidemic~~

[multiple choice questions on energy](#)

~~music across our country together we sing series~~

~~murachs os or 390 and z or os jel~~

Md6b Manual :

[energy flash a journey through rave music and dance culture](#) - Sep 03 2022

web energy flash youtube music provided to youtube by logic energy flash joey beltram joey beltram live 1990 r s music

released on 1997 02 25 auto generated

energy flash youtube music - May 31 2022

web may 20 2016 provided to youtube by r s recordsenergy flash joey beltram joey beltram rrbeltram vol 1 r s recordsreleased on 1990 01 01auto generated by

energy flash youtube - Apr 29 2022

web jan 1 1998 energy flash 24 37 78 only 3 left in stock more on the way this work tells the story of rave culture and explores the origins of this dance music chronicling the

energy flash a journey through rave music and - Jan 07 2023

web 5 51 explore songs recommendations and other album details for energy flash by beltram compare different versions and buy them all on discogs

flash up energy группа для фанатов энергетика ВКонтакте - Nov 24 2021

energy flash a journey through rave music and dance culture - Feb 08 2023

web energy flash a journey through rave music and dance culture 15 32 81 in stock this work tells the story of rave culture and explores the origins of this dance music

joey beltram wikipedia - Jun 12 2023

joey beltram born 6 september 1971 is an american dj and music producer best known for his pioneering singles energy flash and mentasm and for remixing human resource s dominator

energy flash wikipedia - Aug 14 2023

energy flash a journey through rave music and dance culture is a book by english music journalist simon reynolds which chronicles the development of dance and rave music from the mid 1980s to the early 2000s the book was published in the united states under the title generation ecstasy into the world of techno and rave culture

joey beltram energy flash r s records classics youtube - Sep 15 2023

web sep 21 2009 djs matter skull t shirt bit ly djsmatter hyper t shirt bit ly hypertshirt trance music is divine t shirt bit ly trance

energy flash a journey through rave music and dance culture - Apr 10 2023

web 25 years after acid house and ecstasy revolutionised pop culture simon reynolds s landmark rave history energy flash has been expanded and updated to cover 21st

energy flash a journey through rave music and - Nov 05 2022

web faber faber jul 4 2013 music 816 pages twenty five years since acid house and ecstasy revolutionized pop culture simon

reynolds s landmark rave history energy

mastering the challenges of energy transition rittal - Jul 01 2022

web aug 30 2009 joey beltram energy flash original mix oldskoolkool69 11 3k subscribers 2 8k share 278k views 13 years ago discogs com joey

Энергетический напиток flash energy отзывы - Sep 22 2021

energy flash a journey through rave music and dance culture - Jan 27 2022

web jul 13 2023 the two stage system with a flash tank ts ft has the biggest heating capacity the best cop and the best exergy efficiency this article evaluates the

energy flash youtube - Feb 25 2022

web aug 22 2016 Информация Группа для любителей энергетика flash up energy flash max flash moxito и его производные ГРУППА НЕ ПРИНАДЛЕЖИТ КОМПАНИИ

frontiers performance analysis of water refrigerant heat pump - Oct 24 2021

sound behind the song energy flash by joey beltram - May 11 2023

web sep 21 2023 start 30 years after its release joey beltram s energy flash remains one of the definitive techno tracks of all time it can still sit easily in a modern dj set and at

joey beltram energy flash youtube - Jul 13 2023

web aug 14 2021 music energy flash joey beltrambeltram vol 1 1990 inordertodance released on 1990 01 01all the rights are owned by its respective

joey beltram energy flash youtube - Aug 02 2022

web 0 00 4 44 energy flash provided to youtube by logicenergy flash joey beltramjoey beltram live 1990 r s musicreleased on 1997 02 25auto generated by youtube

beltram energy flash releases discogs - Dec 06 2022

web made in ghent belgium barcode and other identifiers matrix runout etched in runout side a ms 16 a nsc matrix runout etched in runout side b ms 16 b nsc other

[energy flash dragon ball wiki fandom](#) - Dec 26 2021

web Энергетический напиток flash energy не стоит пить часто но когда у тебя нет другого выхода почему бы и не прибегнуть к нему Чтобы убрать усталось в дороге такой

joey beltram energy flash original mix youtube - Mar 29 2022

web energy flash [energy flash](#) is an energy wave used in dragon ball heroes the user charges energy into their palms before approaching the opponent then fires the

beltram energy flash 1990 vinyl discogs - Oct 04 2022

web energy flash the energy industry s online business talk the tasks of energy transition are too complex to be solved alone global climate change can only be stopped by

[joe beltram energy flash attack magazine](#) - Mar 09 2023

web energy flash a journey through rave music and dance culture reynolds simon 1963 free download borrow and streaming internet archive by reynolds simon 1963

pratique du merchandisage et de la vente 2e profe 2022 - Jan 18 2022

web pratique du merchandisage et de la vente 2e profe 3 3 que pour les marques enrichi de nombreux exemples concrets d avis d experts ainsi que d un glossaire cet ouvrage

pratique du merchandisage et de la vente 2e profe - Jun 22 2022

web pour les industriels et de mieux rentabiliser son espace pour les distributeurs en définitive le merchandising c est mieux vendre vendre plus avec plus de profit ce

pratique du merchandisage et de la vente 2e profe pdf dotnbm - Apr 20 2022

web pratique du merchandisage et de la vente 2e profe 3 3 le merchandising 6e éd dunod vous cherchez des méthodes concrètes je dois élaborer une stratégie et

pratique du merchandisage et de la vente 2e profe pdf - Aug 05 2023

web pratique du merchandisage et de la vente 2e profe pratique du merchandisage et de la vente 2e profe 2 downloaded from backoffice ceu social on 2021 05 06 by guest

pratique du merchandisage et de la vente 2e profe pdf - Apr 01 2023

web 2 pratique du merchandisage et de la vente 2e profe 2019 06 26 rotation etc à mettre directement en application dans toutes sortes de surfaces de vente un nouveau

[bac pro focus sur le métier de vendeur en magasin](#) - Sep 25 2022

web un vendeur en magasin durant son bac pro alternance apprendra à gérer l étiquetage la mise en rayon et surtout la mise en valeur de ses produits il devra conseiller le client

ista maroc bac pro commerce 2ième année - Nov 27 2022

web bac pro commerce 2ième année univers de la grande distribution mtp referentiel de formation bac pro commerce bac pro commerce 1ière

pratique du merchandisage et de la vente 2e profe pdf - Jul 24 2022

web pratique du merchandising et de la vente 2e prof 3 3 coché au moins une de ces propositions ce livre est fait pour vous résolument opérationnel cet ouvrage

pratique du merchandising et de la vente 2e prof pdf - Jul 04 2023

web pratique du merchandising et de la vente 2e prof pdf section 1 origine et logique du merchandising le merchandising est apparu avec les premières formes de

pratique du merchandising et de la vente 2e prof copy - Aug 25 2022

web pratique du merchandising et de la vente 2e prof 3 3 of 128 submissions also included are six invited papers from well known speakers all in all the book reflects the

pratique du merchandising et de la vente 2e prof 2023 - Dec 17 2021

web pratique du merchandising et de la vente 2e prof 3 3 pour une nouvelle révolution du secteur le merchandising est au seuil de sa 4e révolution après le merchandising

pratique du merchandising et de la vente 2e prof pdf - May 22 2022

web 2 pratique du merchandising et de la vente 2e prof 2022 10 19 designed to provide an alternative to conversation classes it is a highly effective aid to language acquisition

pratique du merchandising et de la vente 2e prof pdf - Dec 29 2022

web 4 pratique du merchandising et de la vente 2e prof 2023 05 03 de mieux commercialiser ses produits pour les industriels et de mieux rentabiliser son espace

pratique du merchandising et de la vente 2e prof db csda - Oct 07 2023

web point de vente ou un univers de a à z construire des assortiments optimiser la communication de rayon clv élaborer des dossiers merchandising industriel et

pratique du merchandising et de la vente librairie eyrolles - Nov 15 2021

web conforme au référentiel cet ouvrage couvre l ensemble des compétences c2 intervenir dans la gestion et la présentation marchande des produits et c3 communiquer

pratique du merchandising et de la vente 2e prof pdf - Mar 20 2022

web pratique du merchandising et de la vente 2e prof 3 3 une foule d astuces et conseils sur l architecture commerciale le merchandising ou la création d une identité visuelle

pratique du merchandising et de la vente seconde - Sep 06 2023

web jun 1 2001 résumé cet ouvrage s adresse aux élèves de bep vam conforme au nouveau référentiel il couvre l ensemble des compétences notamment en c2 intervenir

pratique du merchandising et de la vente 2e prof pdf - Oct 27 2022

web pratique du merchandisage et de la vente 2e profe 1 pratique du merchandisage et de la vente 2e profe eventually you will certainly discover a new experience and

pratique du merchandisage et de la vente 2e profe pdf - Feb 28 2023

web vente ou un univers de a à z construire des assortiments optimiser la communication de rayon élaborer des dossiers merchandising industriel et distributeur appréhender le

pratique du merchandisage et de la vente 2e profe copy - Feb 16 2022

web une analyse globale d un projet e commerce de l analyse stratégique à la construction du tableau de bord de pilotage qui intègre toutes les fonctions mobilisées si logistique

pratique du merchandisage et de la vente 2e profe download - Jun 03 2023

web pour les industriels et de mieux rentabiliser son espace pour les distributeurs en définitive le merchandising c est mieux vendre vendre plus avec plus de profit ce

pratique du merchandisage et de la vente 2e profe pdf - May 02 2023

web pratique du merchandisage et de la vente 2e profe getting the books pratique du merchandisage et de la vente 2e profe now is not type of inspiring means you could

pratique du merchandisage et de la vente 2e profe pdf - Jan 30 2023

web 4 pratique du merchandisage et de la vente 2e profe 2022 09 06 pratiques du secteur retail des acteurs au coeur du mouvement en cours pour une nouvelle révolution du

grade 9 life orientation question papers ams istanbul edu - Jun 04 2022

web past exam papers for grade 9 grade 9 life orientation question grade 9 life orientation alexander road high school nsc 2014 common assessment task life orientation wced life orientation grade 9 question papers caps erkuaioere november 2016 gr 9 exams examinations grade 9 life orientation hs elspark

grade 9 nsc past papers memos life orientation - Jul 05 2022

web dec 12 2021 are you in need of grade 9 nsc past papers memos life orientation after a number of requests physics101 has decided to not only put up past papers but all respective subjects to assist students as well as study guides enjoy the past papers available for download

life orientation grade 9 question paper november 2015 - Feb 12 2023

web grade 9 november 2021 life orientation marks 70 time 1hour this question paper consists of 8 pages november 2021 life orientation instructions and information 1 read all the instructions carefully before starting to write your answer 2 leave a line open at the end of each question 3

life orientation grade 9 question pap 2023 - Dec 30 2021

web connections if you direct to download and install the life orientation grade 9 question pap it is enormously easy then previously currently we extend the connect to purchase and create bargains to download and install life orientation grade 9 question pap in view of that simple human rights education monisha bajaj 2017 04 04

gr 9 life orientation study guide by impaq issuu - Jan 11 2023

web dec 7 2018 life orientation study guide grade 9 a member of the futurelearn group life orientation study guide 1809 e lio sg01 Í2 È e lio sg015Í grade 9 caps aligned lm van der walt study guide

life orientation grade 9 question papers caps erkuaiore pdf - Apr 02 2022

web 4 life orientation grade 9 question papers caps erkuaiore 2020 03 26 2015 online centre for life orientation teachers contact info teenactiv co za 27 21 686 2299grade 8 9 exam papers teenactivgrades 7 9 life orientation curriculum and assessment policy

grade 9 life orientation worksheet edupstairs - Sep 07 2022

web grade 9 life orientation worksheet edupstairs grade r 9 learning edupstairs org suggested solutions question number possible marks solution 1 10 see checklist 1 2 10 see checklist 2 checklist 1 observation of group discussions name date does the learner yes no 1 wait for a pause before s he interrupts a speaker

grade 9 past life orientation exam papers 2022 - Aug 06 2022

web teacher s guide grade 9 learner s book grade 9 life orientation gr7 t g teacher s guide grade 9 life orientation gr 6 teachers teacher s guide grade 9 learner s book grade 9 spot on life orientation grade 9 facilitator s guide life orientation today xxx international congress of psychology abstracts grade 9 teacher s guide african

life orientation grade 9 previous papers and memos - Apr 14 2023

web oct 25 2021 life orientation grade 9 question papers notes and study guidesmarch 31 2021 life orientation lo grade 9 latest assignment and memos caps life orientation grade 9 question papers notes and study guidesaugust 30 2022 life orientation grade 9 atp annual teaching plan and teacher s guide 2023

grade 9 past papers memos life orientation lo maths 101 - Jun 16 2023

web dec 12 2021 are you in need of grade 9 past papers memos life orientation lo it can be a challenge to look for the latest question papers and their respective memorandums let alone study guides see the downloadable link below for your required past exam paper with the memorandum

grade 9 life orientation edupstairs - Nov 09 2022

web grade 9 life orientation download free printable grade 9 life orientation worksheets tests assignments investigations and projects

life orientation grade 9 question papers notes and study guides - Jul 17 2023

web life orientation grade 9 question papers notes and study guides 2022 2021 2020 hello life orientation grade 9 learner on this section you will find life orientation grade 9 revision notes and past exam papers practical assessment tasks past examination scope for learners marking guidelines for teachers controlled tests

[2023 24 annual teaching plans life orientation grade 9](#) - May 03 2022

web three 10 mark questions will be set of which learners will be expected to answer two questions will predominantly focus on the application of knowledge and skills learners will solve problems make decisions and give advice

grade 9 educator guide national department of basic education - Mar 01 2022

web aug 30 2022 6 sexuality education in life orientation scripted lesson plans educator guide grade 9 abstain to consciously avoid doing something see abstinence abstinence a conscious decision to avoid certain sexual activities or behaviours affected a situation when something impacts you and has resulted in some emotional or other change

grade 9 november 2014 life orientation maths 101 - Mar 13 2023

web question 1 1 1 four possible answers are given for each of the following questions statements choose the correct answer and write the letter a d of that answer next to

grade 9 november 2016 life orientation holy cross - May 15 2023

web question 1 1 1 four possible answers are given for each of the following questions statements choose the correct answer and write the letter a d of that

life orientation grade 9 question pap pdf pdf black ortax - Jan 31 2022

web life orientation grade 9 question pap pdf introduction life orientation grade 9 question pap pdf pdf pisa take the test sample questions from oecd s pisa assessments oecd 2009 02 02 this book presents all the publicly available questions from the pisa surveys some of these questions were used in the pisa 2000

[life orientation lo grade 9 past papers memos english 101](#) - Aug 18 2023

web dec 12 2021 these past papers are for learners in grade 9 go ahead and click on the following link s below in order to download the required grade 9 past papers memos life orientation lo please note these question papers and their respective memorandums are free for public use

life orientation assessment bank items grade 9 - Oct 08 2022

web grade 9 reflecting on own behaviours test grade 9 goal setting grade 9 goal setting individual activity grade 9 applying goal setting to a problem grade 9 solving problems and achieving goals grade 9 attainable goals test grade 9 problem solving skills in a challenging situation

life orientation grade 9 question pap download only - Dec 10 2022

web life orientation grade 9 question pap oswaal nta cuet ug mock test sample question papers english sociology psychology

entrepreneurship general test set of 5 books entrance exam preparation book 2023 may 10 2021 benefits crisp revision with on tips notes mind maps 100 exam readiness