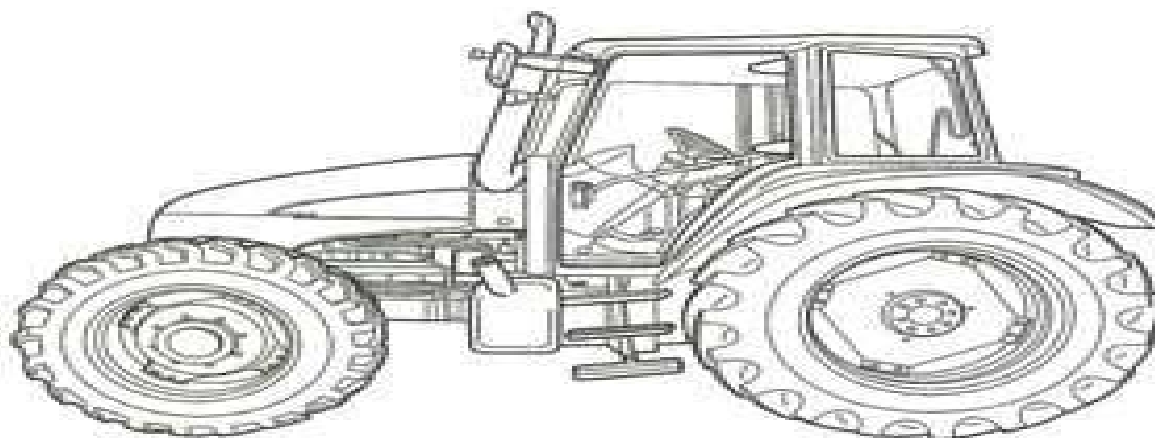


# OPERATOR'S MANUAL

---

**TS90**  
**TS100**  
**TS110**  
**TS115**



**Print No. 604.53.291.00**  
1st edition  
English 01/00

# Operators Manual For New Holland Ts115 Tractor

**J Ma**



## **Operators Manual For New Holland Ts115 Tractor:**

Thank you very much for downloading **Operators Manual For New Holland Ts115 Tractor**. Maybe you have knowledge that, people have look numerous times for their chosen books like this Operators Manual For New Holland Ts115 Tractor, but end up in harmful downloads.

Rather than enjoying a good book with a cup of coffee in the afternoon, instead they cope with some malicious bugs inside their laptop.

Operators Manual For New Holland Ts115 Tractor is available in our digital library an online access to it is set as public so you can download it instantly.

Our book servers hosts in multiple locations, allowing you to get the most less latency time to download any of our books like this one.

Kindly say, the Operators Manual For New Holland Ts115 Tractor is universally compatible with any devices to read

[https://crm.allthingsbusiness.co.uk/book/book-search/Download\\_PDFS/Nccer%20Boilermaker%20Test.pdf](https://crm.allthingsbusiness.co.uk/book/book-search/Download_PDFS/Nccer%20Boilermaker%20Test.pdf)

## **Table of Contents Operators Manual For New Holland Ts115 Tractor**

1. Understanding the eBook Operators Manual For New Holland Ts115 Tractor
  - The Rise of Digital Reading Operators Manual For New Holland Ts115 Tractor
  - Advantages of eBooks Over Traditional Books
2. Identifying Operators Manual For New Holland Ts115 Tractor
  - Exploring Different Genres
  - Considering Fiction vs. Non-Fiction
  - Determining Your Reading Goals
3. Choosing the Right eBook Platform
  - Popular eBook Platforms
  - Features to Look for in an Operators Manual For New Holland Ts115 Tractor
  - User-Friendly Interface
4. Exploring eBook Recommendations from Operators Manual For New Holland Ts115 Tractor

- Personalized Recommendations
  - Operators Manual For New Holland Ts115 Tractor User Reviews and Ratings
  - Operators Manual For New Holland Ts115 Tractor and Bestseller Lists
5. Accessing Operators Manual For New Holland Ts115 Tractor Free and Paid eBooks
    - Operators Manual For New Holland Ts115 Tractor Public Domain eBooks
    - Operators Manual For New Holland Ts115 Tractor eBook Subscription Services
    - Operators Manual For New Holland Ts115 Tractor Budget-Friendly Options
  6. Navigating Operators Manual For New Holland Ts115 Tractor eBook Formats
    - ePub, PDF, MOBI, and More
    - Operators Manual For New Holland Ts115 Tractor Compatibility with Devices
    - Operators Manual For New Holland Ts115 Tractor Enhanced eBook Features
  7. Enhancing Your Reading Experience
    - Adjustable Fonts and Text Sizes of Operators Manual For New Holland Ts115 Tractor
    - Highlighting and Note-Taking Operators Manual For New Holland Ts115 Tractor
    - Interactive Elements Operators Manual For New Holland Ts115 Tractor
  8. Staying Engaged with Operators Manual For New Holland Ts115 Tractor
    - Joining Online Reading Communities
    - Participating in Virtual Book Clubs
    - Following Authors and Publishers Operators Manual For New Holland Ts115 Tractor
  9. Balancing eBooks and Physical Books Operators Manual For New Holland Ts115 Tractor
    - Benefits of a Digital Library
    - Creating a Diverse Reading Collection Operators Manual For New Holland Ts115 Tractor
  10. Overcoming Reading Challenges
    - Dealing with Digital Eye Strain
    - Minimizing Distractions
    - Managing Screen Time
  11. Cultivating a Reading Routine Operators Manual For New Holland Ts115 Tractor
    - Setting Reading Goals Operators Manual For New Holland Ts115 Tractor
    - Carving Out Dedicated Reading Time
  12. Sourcing Reliable Information of Operators Manual For New Holland Ts115 Tractor

- Fact-Checking eBook Content of Operators Manual For New Holland Ts115 Tractor
  - Distinguishing Credible Sources
13. Promoting Lifelong Learning
- Utilizing eBooks for Skill Development
  - Exploring Educational eBooks
14. Embracing eBook Trends
- Integration of Multimedia Elements
  - Interactive and Gamified eBooks

### **Operators Manual For New Holland Ts115 Tractor Introduction**

In this digital age, the convenience of accessing information at our fingertips has become a necessity. Whether its research papers, eBooks, or user manuals, PDF files have become the preferred format for sharing and reading documents. However, the cost associated with purchasing PDF files can sometimes be a barrier for many individuals and organizations. Thankfully, there are numerous websites and platforms that allow users to download free PDF files legally. In this article, we will explore some of the best platforms to download free PDFs. One of the most popular platforms to download free PDF files is Project Gutenberg. This online library offers over 60,000 free eBooks that are in the public domain. From classic literature to historical documents, Project Gutenberg provides a wide range of PDF files that can be downloaded and enjoyed on various devices. The website is user-friendly and allows users to search for specific titles or browse through different categories. Another reliable platform for downloading Operators Manual For New Holland Ts115 Tractor free PDF files is Open Library. With its vast collection of over 1 million eBooks, Open Library has something for every reader. The website offers a seamless experience by providing options to borrow or download PDF files. Users simply need to create a free account to access this treasure trove of knowledge. Open Library also allows users to contribute by uploading and sharing their own PDF files, making it a collaborative platform for book enthusiasts. For those interested in academic resources, there are websites dedicated to providing free PDFs of research papers and scientific articles. One such website is Academia.edu, which allows researchers and scholars to share their work with a global audience. Users can download PDF files of research papers, theses, and dissertations covering a wide range of subjects. Academia.edu also provides a platform for discussions and networking within the academic community. When it comes to downloading Operators Manual For New Holland Ts115 Tractor free PDF files of magazines, brochures, and catalogs, Issuu is a popular choice. This digital publishing platform hosts a vast collection of publications from around the world. Users can search for specific titles or explore various categories and genres. Issuu offers a seamless reading experience with its user-friendly interface and allows users to download PDF files for

offline reading. Apart from dedicated platforms, search engines also play a crucial role in finding free PDF files. Google, for instance, has an advanced search feature that allows users to filter results by file type. By specifying the file type as "PDF," users can find websites that offer free PDF downloads on a specific topic. While downloading Operators Manual For New Holland Ts115 Tractor free PDF files is convenient, it's important to note that copyright laws must be respected. Always ensure that the PDF files you download are legally available for free. Many authors and publishers voluntarily provide free PDF versions of their work, but it's essential to be cautious and verify the authenticity of the source before downloading Operators Manual For New Holland Ts115 Tractor. In conclusion, the internet offers numerous platforms and websites that allow users to download free PDF files legally. Whether it's classic literature, research papers, or magazines, there is something for everyone. The platforms mentioned in this article, such as Project Gutenberg, Open Library, Academia.edu, and Issuu, provide access to a vast collection of PDF files. However, users should always be cautious and verify the legality of the source before downloading Operators Manual For New Holland Ts115 Tractor any PDF files. With these platforms, the world of PDF downloads is just a click away.

### **FAQs About Operators Manual For New Holland Ts115 Tractor Books**

How do I know which eBook platform is the best for me? Finding the best eBook platform depends on your reading preferences and device compatibility. Research different platforms, read user reviews, and explore their features before making a choice. Are free eBooks of good quality? Yes, many reputable platforms offer high-quality free eBooks, including classics and public domain works. However, make sure to verify the source to ensure the eBook's credibility. Can I read eBooks without an eReader? Absolutely! Most eBook platforms offer web-based readers or mobile apps that allow you to read eBooks on your computer, tablet, or smartphone. How do I avoid digital eye strain while reading eBooks? To prevent digital eye strain, take regular breaks, adjust the font size and background color, and ensure proper lighting while reading eBooks. What's the advantage of interactive eBooks? Interactive eBooks incorporate multimedia elements, quizzes, and activities, enhancing the reader's engagement and providing a more immersive learning experience. Operators Manual For New Holland Ts115 Tractor is one of the best books in our library for free trial. We provide a copy of Operators Manual For New Holland Ts115 Tractor in digital format, so the resources that you find are reliable. There are also many eBooks related to Operators Manual For New Holland Ts115 Tractor. Where to download Operators Manual For New Holland Ts115 Tractor online for free? Are you looking for Operators Manual For New Holland Ts115 Tractor PDF? This is definitely going to save you time and cash in something you should think about.

**Find Operators Manual For New Holland Ts115 Tractor :**

*nccer boilermaker test*

**nclex pn study guide quick tips**

[nec model dx 5000u video cassette recorder owners operating manual](#)

[nature friendly ordinances environmental law institute](#)

[navomatic 400b manual](#)

[native realm a search for self definition](#)

[nauti scuba diver manual](#)

[nec laptop user manual](#)

[navigating the research university a guide for first year students textbook specific csfi](#)

**naval ships technical manual chapter 581 anchoring**

[nerp study guide](#)

[natural crochet for babies and toddlers](#)

[nec np v260 manual](#)

**nccer study guide**

**natuurgeneeswijze in de praktijk**

**Operators Manual For New Holland Ts115 Tractor :**

Distribution System Modeling And Analysis Solution Manual Distribution System Modeling And Analysis Solution Manual. Distribution System Modeling and Analysis 3rd Kersting ... Distribution System Modeling and Analysis 3rd Kersting Solution Manual - Free download as PDF File (.pdf), Text File (.txt) or view presentation slides ... Solutions Manual for Distribution System Modeling and ... Solutions Manual for Distribution System Modeling and Analysis, Second Edition Electric Power Engineering. Authors, Kersting William H Staff, William H ... Solutions Manual For Distribution System Modeling And ... It's great application book who involve in design and modelling of Distribution network. This can use as the Guide book in Distribution Systems. Solutions Manual for Distribution System Modeling and ... Full Title: Solutions Manual for Distribution System Modeling and Analysis, Second Edition ; Edition: 1st edition ; ISBN-13: 978-1420043570 ; Publisher: CRC Press ... Distribution System Modeling and Analysis 3rd Kersting ... Distribution System Modeling and Analysis 3rd Kersting Solution Manual - Free download as PDF File (.pdf), Text File (.txt) or read online for free. Solutions Manual for Distribution System Modeling and ... Solutions Manual for Distribution System Modeling and Analysis by William H. Kersting, Vijay Kumar Juneja.



(Paperback 9780849303944) Solutions Manual for Distribution System Modeling and ... Buy a copy of Solutions Manual for Distribution System Modeling and Analysis book by Steven Strauss. ISBN 1420043579 - Solutions Manual for Distribution ... Solutions Manual for Distribution System Modeling and Analysis, Second Edition (Electric Power Engineering). Author(s) Kersting William H Staff. ISBN ... Kersting Distribution System Modeling and Analysis Third ... Approximate Method of Analysis 57 Solution The area to be served is shown in Figure 3.15. ... Manual to build a system called "System 1" in Windmill that will ... Exam P (Probability) Study Guide - ACTEX Learning Wondering how to study for Exam P? Practice efficiently with our robust database of questions and solutions and be prepared for the actuarial probability exam. Study Manuals ACTEX Interactive Study Manual for Exam P with Instructional Videos | 1st Edition ... Broverman Study Guide for SOA Exam FM/CAS Exam 2 | 2024. Broverman ... SOA Exam P Study Manual This study guide is designed to help in the preparation for the Society of Actuaries Exam P. The study manual is divided into two main parts. The first part ... ACTEX Interactive Study Manual for Exam P with ... The Exam P study guide will allow you to: Review 660 pages of comprehensive, exam-focused information with full syllabus coverage; Refine your understanding ... Browse Products ACTEX DVDs · ASM Study Manuals · Ostaszewski Study Manuals · SOA Textbooks · Live Chat · Actex Website Feedback. Actuarial Exams with ACTEX Study Materials ... Exam P study materials : r/actuary Exam P study materials. Exams. Hey everyone,. I'm in college and poor ... study manuals (Actex and ASM) through them. Passed both P and FM ... Study Manuals ACTEX Study Manual for SOA Exam PA | 10th Edition. Lo | ACTEX Availability: In-Stock | Printed ETA 12/18/23. ISBNs: See Below Samples: View Sample. Best Study Manual for Exam P (2023) The most popular study guides for Exam P are the Actuary Accelerator Community, ASM, ACTEX, TIA, and Coaching Actuaries. Any of these resources will teach ... Untitled Actuarial Exams with ACTEX Study Materials since 1972. Search Terms: 1P-ASM-SMP. Study Manuals. ASM Study Manual Program for Exam P | 5th Edition. Weishaus ... HEALTH PSYCHOLOGY; TENTH EDITION by SE Taylor · Cited by 4895 — Her research interests concern the psychological and social factors that promote or compromise mental and physical health across the life span. Professor Taylor. Health Psychology: 8 Edition Shelley E. Taylor | PDF The Biopsychosocial Model in Health Psychology (cont). Clinical implications: - diagnosis should always consider biological, psychological and social factors in ... Health Psychology 8th edition Shelley E. Taylor Health Psychology Health Psychology: - exciting and relatively new field devoted to understanding psychological influences on how people stay healthy, ... Health Psychology: Shelley E. Taylor | PDF Health Psychology - Free download as PDF File (.pdf), Text File (.txt) or read online for free. Health Psychology. Health Psychology by Taylor, Shelley The eighth edition of Health Psychology highlights health issues that face the college student and his or her family through both accessible research ... Shelley Taylor Health Psychology 8th test bank by ji8uy Jul 27, 2020 — Download pdf Health Psychology 8th edition by Shelley Taylor test bank Full link: <https://bit.ly/30Id820>. Health Psychology 11th Edition Taylor TEST BANK Test Bank for Health Psychology, 11th Edition, Shelley Taylor, ISBN10: 1260253902, ISBN13: 9781260253900...

HEALTH PSYCHOLOGY, NINTH EDITION SHELLEY E. TAYLOR is Distinguished Professor of Psychology at the University of California, Los Angeles. ... free from pain, disability, and lifestyle compromise ... Health Psychology, 8Th Edition: Shelley E. Taylor This book is excellently written. Health psychology is one of the more medically related sectors of psychology, and for many psychology students this might ... Health psychology | WorldCat.org "The eighth edition of Health Psychology highlights health issues that face the college student and his or her family through both accessible research ...