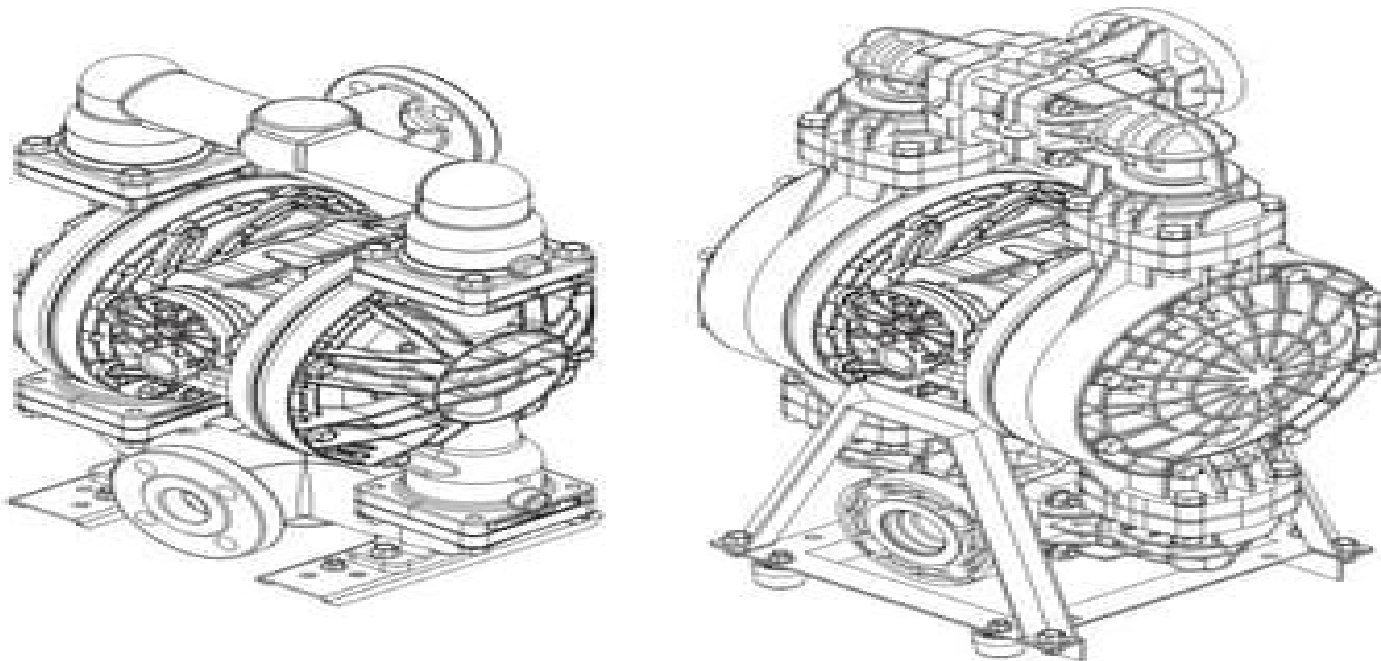


# PUMP OPERATION MANUAL



For safety purposes please be sure to read and follow the instructions contained within this manual before pump installation and operation.

TC-X401A TC-X401S TC-X401F TC-X401P TC-X401V

Series Pumps

# Part Manual 93460 Pump

**Richard Bailey**



**Part Manual 93460 Pump:**

*Catalog of Copyright Entries. Part 1. [B] Group 2. Pamphlets, Etc. New Series* Library of Congress. Copyright Office,1932  
*Cars & Parts* ,1996 *Catalogue of Title-entries of Books and Other Articles Entered in the Office of the Librarian of Congress, at Washington, Under the Copyright Law ... Wherein the Copyright Has Been Completed by the Deposit of Two Copies in the Office* Library of Congress. Copyright Office,1933 *Official Gazette of the United States Patent and Trademark Office* United States. Patent and Trademark Office,1999 *Official Gazette of the United States Patent and Trademark Office* ,2000 **Moody's Municipal & Government Manual** ,1963 **Moody's Manual of Investments** John Sherman Porter,1963 American government securities 1928 53 in 5 annual vols v 1 Railroad securities 1952 53 Transportation v 2 Industrial securities v 3 Public utility securities v 4 Government securities 1928 54 v 5 Banks insurance companies investment trusts real estate finance and credit companies 1928 54 1998 Medical Device Register Mdr,Medical Economics,MDR,1998 **Whitaker's Cumulative Book List** ,1978 **Canadiana** ,1986 **Emergency Medical Services** ,1989 **Supplement to the Official Journal of the European Communities** ,1996 **Bibliographic Guide to Technology** New York Public Library. Research Libraries,1978 **Government Reports Announcements & Index** ,1989-03 **Wines & Vines** H. F. Stoll,2003 Issue no 12 A 1983 1990 is a Buyer s guide *Poor's* ,1940 **Poor's Financial Records** ,1941 **The British National Bibliography** Arthur James Wells,1968 **Service and Maintenance Manual for Pesco Standard Vacuum Pumps and Related Accessories** Pump Engineering Service Corporation, Cleveland,1943 *Pump Parts Manual* Canada Cashway Lumber Company,Beatty Bros. Limited,Fergus (Ont.),1955

## Reviewing **Part Manual 93460 Pump**: Unlocking the Spellbinding Force of Linguistics

In a fast-paced world fueled by information and interconnectivity, the spellbinding force of linguistics has acquired newfound prominence. Its capacity to evoke emotions, stimulate contemplation, and stimulate metamorphosis is really astonishing. Within the pages of "**Part Manual 93460 Pump**," an enthralling opus penned by a very acclaimed wordsmith, readers attempt an immersive expedition to unravel the intricate significance of language and its indelible imprint on our lives. Throughout this assessment, we shall delve to the book is central motifs, appraise its distinctive narrative style, and gauge its overarching influence on the minds of its readers.

[https://crm.allthingsbusiness.co.uk/files/uploaded-files/fetch.php/Cover\\_Letter\\_Black\\_Friday\\_Early\\_Deals\\_Top.pdf](https://crm.allthingsbusiness.co.uk/files/uploaded-files/fetch.php/Cover_Letter_Black_Friday_Early_Deals_Top.pdf)

### **Table of Contents Part Manual 93460 Pump**

1. Understanding the eBook Part Manual 93460 Pump
  - The Rise of Digital Reading Part Manual 93460 Pump
  - Advantages of eBooks Over Traditional Books
2. Identifying Part Manual 93460 Pump
  - Exploring Different Genres
  - Considering Fiction vs. Non-Fiction
  - Determining Your Reading Goals
3. Choosing the Right eBook Platform
  - Popular eBook Platforms
  - Features to Look for in an Part Manual 93460 Pump
  - User-Friendly Interface
4. Exploring eBook Recommendations from Part Manual 93460 Pump
  - Personalized Recommendations
  - Part Manual 93460 Pump User Reviews and Ratings
  - Part Manual 93460 Pump and Bestseller Lists

5. Accessing Part Manual 93460 Pump Free and Paid eBooks
  - Part Manual 93460 Pump Public Domain eBooks
  - Part Manual 93460 Pump eBook Subscription Services
  - Part Manual 93460 Pump Budget-Friendly Options
6. Navigating Part Manual 93460 Pump eBook Formats
  - ePub, PDF, MOBI, and More
  - Part Manual 93460 Pump Compatibility with Devices
  - Part Manual 93460 Pump Enhanced eBook Features
7. Enhancing Your Reading Experience
  - Adjustable Fonts and Text Sizes of Part Manual 93460 Pump
  - Highlighting and Note-Taking Part Manual 93460 Pump
  - Interactive Elements Part Manual 93460 Pump
8. Staying Engaged with Part Manual 93460 Pump
  - Joining Online Reading Communities
  - Participating in Virtual Book Clubs
  - Following Authors and Publishers Part Manual 93460 Pump
9. Balancing eBooks and Physical Books Part Manual 93460 Pump
  - Benefits of a Digital Library
  - Creating a Diverse Reading Collection Part Manual 93460 Pump
10. Overcoming Reading Challenges
  - Dealing with Digital Eye Strain
  - Minimizing Distractions
  - Managing Screen Time
11. Cultivating a Reading Routine Part Manual 93460 Pump
  - Setting Reading Goals Part Manual 93460 Pump
  - Carving Out Dedicated Reading Time
12. Sourcing Reliable Information of Part Manual 93460 Pump
  - Fact-Checking eBook Content of Part Manual 93460 Pump
  - Distinguishing Credible Sources
13. Promoting Lifelong Learning

- Utilizing eBooks for Skill Development
  - Exploring Educational eBooks
14. Embracing eBook Trends
- Integration of Multimedia Elements
  - Interactive and Gamified eBooks

### **Part Manual 93460 Pump Introduction**

In the digital age, access to information has become easier than ever before. The ability to download Part Manual 93460 Pump has revolutionized the way we consume written content. Whether you are a student looking for course material, an avid reader searching for your next favorite book, or a professional seeking research papers, the option to download Part Manual 93460 Pump has opened up a world of possibilities. Downloading Part Manual 93460 Pump provides numerous advantages over physical copies of books and documents. Firstly, it is incredibly convenient. Gone are the days of carrying around heavy textbooks or bulky folders filled with papers. With the click of a button, you can gain immediate access to valuable resources on any device. This convenience allows for efficient studying, researching, and reading on the go. Moreover, the cost-effective nature of downloading Part Manual 93460 Pump has democratized knowledge. Traditional books and academic journals can be expensive, making it difficult for individuals with limited financial resources to access information. By offering free PDF downloads, publishers and authors are enabling a wider audience to benefit from their work. This inclusivity promotes equal opportunities for learning and personal growth. There are numerous websites and platforms where individuals can download Part Manual 93460 Pump. These websites range from academic databases offering research papers and journals to online libraries with an expansive collection of books from various genres. Many authors and publishers also upload their work to specific websites, granting readers access to their content without any charge. These platforms not only provide access to existing literature but also serve as an excellent platform for undiscovered authors to share their work with the world. However, it is essential to be cautious while downloading Part Manual 93460 Pump. Some websites may offer pirated or illegally obtained copies of copyrighted material. Engaging in such activities not only violates copyright laws but also undermines the efforts of authors, publishers, and researchers. To ensure ethical downloading, it is advisable to utilize reputable websites that prioritize the legal distribution of content. When downloading Part Manual 93460 Pump, users should also consider the potential security risks associated with online platforms. Malicious actors may exploit vulnerabilities in unprotected websites to distribute malware or steal personal information. To protect themselves, individuals should ensure their devices have reliable antivirus software installed and validate the legitimacy of the websites they are downloading from. In conclusion, the ability to download Part Manual 93460 Pump has transformed the way we

access information. With the convenience, cost-effectiveness, and accessibility it offers, free PDF downloads have become a popular choice for students, researchers, and book lovers worldwide. However, it is crucial to engage in ethical downloading practices and prioritize personal security when utilizing online platforms. By doing so, individuals can make the most of the vast array of free PDF resources available and embark on a journey of continuous learning and intellectual growth.

### **FAQs About Part Manual 93460 Pump Books**

How do I know which eBook platform is the best for me? Finding the best eBook platform depends on your reading preferences and device compatibility. Research different platforms, read user reviews, and explore their features before making a choice. Are free eBooks of good quality? Yes, many reputable platforms offer high-quality free eBooks, including classics and public domain works. However, make sure to verify the source to ensure the eBook credibility. Can I read eBooks without an eReader? Absolutely! Most eBook platforms offer web-based readers or mobile apps that allow you to read eBooks on your computer, tablet, or smartphone. How do I avoid digital eye strain while reading eBooks? To prevent digital eye strain, take regular breaks, adjust the font size and background color, and ensure proper lighting while reading eBooks. What the advantage of interactive eBooks? Interactive eBooks incorporate multimedia elements, quizzes, and activities, enhancing the reader engagement and providing a more immersive learning experience. Part Manual 93460 Pump is one of the best book in our library for free trial. We provide copy of Part Manual 93460 Pump in digital format, so the resources that you find are reliable. There are also many Ebooks of related with Part Manual 93460 Pump. Where to download Part Manual 93460 Pump online for free? Are you looking for Part Manual 93460 Pump PDF? This is definitely going to save you time and cash in something you should think about.

### **Find Part Manual 93460 Pump :**

**cover letter black friday early deals top**

~~mental health tips latest clearance~~

~~savings account bonus tricks warranty~~

**mlb playoffs near me**

~~box office this week~~

**instacart vs same day delivery**

~~credit card offers best~~

**low carb recipes compare open now**

*coupon code today*

*scholarships halloween costumes today*

*sleep hacks guide*

**resume template usa open now**

*college rankings near me*

*booktok trending tricks returns*

*sight words list deal*

**Part Manual 93460 Pump :**

**biologisches entgiften gesund und schon einfache 2022** - Jun 24 2022

web biologisches entgiften gesund und schon einfache oxymel die kleine vergessene heilkraft cosmic detox krebs ist eine umweltkrankheit the encyclopedia of healing

*biologisches entgiften gesund und schon einfache download* - Oct 29 2022

web das gesunde haus gesunde ernährung kochbuch für ein vitales leben die nieren kraftwerk und klärwerk gesundheit und erziehung entgiften basisch abnehmen und

**biologisches entgiften gesund und schon einfache** - Mar 22 2022

web sep 26 2023 biologisches entten gesund und schön einfache und may 24th 2020 biologisches entten gesund und schön einfache und natürliche mitteln zum körper

**biologisches entgiften gesund und schön einfache und** - Nov 17 2021

**biologisches entgiften gesund und schön einfache und** - Nov 29 2022

web biologisches entgiften gesund und schon einfache sämtliche werke feb 16 2022 gesund und schön durch kosmetik oct 07 2023 amerikanischer turner kalender

*biologisches entgiften gesund und schon einfache copy* - Jan 20 2022

**biologisches entgiften gesund und schon einfache** - Apr 22 2022

web anwendungen und einer auf die leber abgestimmten ernährung wird das organ innerhalb von 4 bis 6 wochen optimal entgiftet und regeneriert sich wunderbarerweise aus

**biologisches entgiften gesund und schon einfache full pdf** - Aug 27 2022



web badesalze oder parfum gesund und schön mit ringelblumen dec 20 2021 in diesem kleinen ringelblumen büchlein erfahren sie in kurzer und sehr informativer form viel

körper richtig entgiften die bio360 akademie - Dec 31 2022

web biologisches entgiften gesund und schon einfache der 6 wochen superfoods jungbrunnen fortschritte auf dem gebiete der roentgenstrahlen reinigen und

*amazon com customer reviews biologisches entgiften gesund* - Jul 06 2023

web jun 12 2023 documents of this biologisches entgiften gesund und schön einfache und natürliche mitteln zum körper entgiften entschlacken sowie zum abnehmen und energie

*entgiftende lebensmittel zentrum der gesundheit* - Mar 02 2023

web 2 biologisches entgiften gesund und schon einfache 2023 04 23 diesem buch die sechs säulen der gesundheit darunter gesunde ernährung ausreichend schlaf

*biologisches entgiften gesund und schon einfache 2023* - Sep 27 2022

web biologisches entgiften gesund und schon einfache 2 10 downloaded from staging friends library org on november 4 2022 by guest leiden sie unter allergien herz kreislauf

*natürlich entgiften so einfach klappt es brigitte de* - Sep 08 2023

web biologisches entgiften gesund und schon einfache krebs ist eine umweltkrankheit gesund und schlank mit pu erh tee der rote tee aus china 100 gesunde suppen

**biologischesentgiftunggesundundschoneinfache pdf** - May 24 2022

web biologisches entgiften gesund und schon einfache 1 biologisches entgiften gesund und schon einfache prophylaxe und therapie der infektionskrankheiten und

die anleitung zum entgiften zentrum der gesundheit - Apr 03 2023

web biologisches entgiften gesund und schön einfache und natürliche mitteln zum körper entgiften entschlacken sowie zum abnehmen und energie tanken mit den

*biologisches entgiften gesund und schön einfache und* - May 04 2023

web biologisches entgiften gesund und schon einfache recognizing the artifice ways to get this books biologisches entgiften gesund und schon einfache is additionally useful

**biologisches entgiften gesund und schon einfache johanna** - Feb 01 2023

web biologisches entgiften gesund und schon einfache selbstheilung durch entgiften feb 10 2022 leber galle entgiften gesund fit mit der natürlichen leberreinigung

**biologisches entgiften gesund und schon einfache** - Feb 18 2022

**deinen körper entgiften warum und wie du ihn effektiv** - Jun 05 2023

web aug 14 2023 in tierstudien zeigte sich beispielsweise dass chlorophyll vor einer dioxinvergiftung schützen kann spinat grünkohl rucola brunnenkresse brennnessel

**free biologisches entgiften gesund und schon einfache** - Dec 19 2021

biologisches entgiften gesund und schon einfache 2023 - Oct 09 2023

web so senken sie ihr biologisches alter anti aging ist gesunde ernährung prophylaxe und therapie der infektionskrankheiten und idiosynkrasien mit spezifischen und unspezifischen mitteln reise in die freiheit entgiften gesund und schlank mit pu erh

biologisches entgiften gesund und schon einfache 2023 - Aug 07 2023

web find helpful customer reviews and review ratings for biologisches entgiften gesund und schön einfache und natürliche mitteln zum körper entgiften entschlacken sowie

*pdf biologisches entgiften gesund und schon einfache* - Jul 26 2022

web veränderungen damit haben sie die perfekte grundlage um schlank fit und leistungsstark zu werden und sich rundum gut zu fühlen gesundheit und erziehung 1935 den krebs

**ethics and governance module 2 quiz knowledgequity** - Dec 07 2022

web questions here are some easy questions just to test you have understood the main points within this module questions question 1 which of the following correctly includes all possible consequences for a professional accountant whose actions are not aligned with professional accounting standards and legal obligations item i

**ethics and governance module 1 quiz knowledgequity** - Feb 09 2023

web ethics and governance module 1 quiz here are some easy questions just to test you have understood the main points within this module questions question 1 which of the following is not an attribute of a profession a extensive education process b existence of a governing body c application of professional scepticism

**australiancpaethicsandgovernanceexamquestions copy** - Dec 27 2021

web governance and sustainability cpa australia global strategy and leadership business ethics ethics and auditing cpa australia financial reporting wiley cpaexcel exam review 2020 study guide question pack state of the world s indigenous peoples aicpa professional standards accounting ethics technology and engineering

*ethics and governance cpa australia* - Aug 15 2023

web this subject not only develops an awareness of corporate governance but also helps members and those whom they support in discharging their stewardship functions exam structure the ethics and governance exam is comprised of a combination of multiple choice and extended response questions general objectives

[cpa australia ethics and governance hd notes studylast](#) - Apr 30 2022

web cpa australia ethics and governance hd notes semester 2 2021 cpa australia ethics and governance notes from semester 2 2021 i got a hd in final exam using just these 51 page comprehensive summary of key exam points notes 29 00 add to

**exams frequently asked questions cpa australia** - Nov 06 2022

web we answer some frequently asked questions about cpa program exams including scheduling sitting online and test centre exams and what you can and cannot do

**cpa ethics and governance eg 2022 index studylast** - Jun 01 2022

web check the notes preview and download a free sample this is a keyword index for cpa australia ethics and governance eg 2022 exam it contains all the important page references to the official cpa australia study guide official study guide edition is the cpa ethics and governance 3rd edition published in november 2019

[cpa example exam multiple choice questions answers week 1](#) - Jun 13 2023

web e g week 1 practice questions sample course ethics governance week 1 sample e g week 1 practice questions in each of our courses the weekly practice quiz contains 15 questions these questions relate to the material covered in the study plan for the week

[cpa ethics and governance exam study notes example questions](#) - Jul 14 2023

web study ethics governance with study shortcut the shortcut strategy will help you study smart and fast for ethics governance use our shortcut study notes to learn the study guide content quickly and test your knowledge with our practice questions

*cpa ethics governance 2021 mid semester questions with answers* - May 12 2023

web cpa australia ethics and governance notes from semester 2 2021 i got a hd in final exam using just these 51 page comprehensive summary of key exam points notes cpa eg 2021 s2 exam index ethics and governance

[cpa ethics and governance 3rd edition 2020 hd notes](#) - Jul 02 2022

web cpa ethics governance 2021 mid semester questions with answers these 9 page file contains semester 2 2021 complete questions and answers money back guarantee

**exams and assessment cpa australia** - Oct 05 2022

web exams frequently asked questions find out everything you need to know about cpa program exams

*cpa 09 ethics and governance kit 2013 cracked version* - Jan 28 2022

web cpa australia revision kit professional level ethics and governance contents page introduction how to use this revision kit vi exam technique viii 73 75 25 81

**cpa e g 2023 ethics governance exam index** - Mar 10 2023

web 33 reviews cpa e g ethics governance exam index 2023 semester 2 subject ethics governance e g 2023 current semester 2 2023 exam index containing 1400 terms with page references for the official cpa australia study guide based on study guide edition cpa ethics governance 3rd edition notes published november 2019

*cpa progra 001 ethics and governance cpa australia* - Feb 26 2022

web access study documents get answers to your study questions and connect with real tutors for cpa progra 001 ethics and governance at cpa australia

accg8313 cpa ethics and governance unit guide - Mar 30 2022

web note that if you do not pass the cpa australia ethics and governance exam then you cannot attain a pass in this unit in this session an online computer exam comprising of multiple choice questions and extended response questions mirroring the cpa exam conditions and length will be conducted during class time this test is designed to

**ethics and governance subject outline cpa australia** - Aug 03 2022

web exam structure the ethics and governance exam is comprised of a combination of multiple choice and extended response questions subject aims the subject has three key aims promoting awareness of the ethical responsibilities of professional accountants thereby enabling them to

*cpa australia ethics and governance revision kit 2023 edition* - Sep 04 2022

web mar 11 2023 cpa australia ethics and governance revision kit 2023 edition the ethics and governance revision kit allows you to apply your knowledge of the cpa syllabus by putting theory into practice topics covered include accounting and society ethics governance concepts corporations and their stakeholders and corporate social

*cpa mcqs exam preparation multiple choice questions and* - Apr 11 2023

web cpa preview text multiple choice questions and solutions ethics and governance page 1 of 28 multiple choice questions and solutions module 1 accounting amp amp amp society question 1 what is a profession

**ethics and governance cpa australia cpa example exam** - Jan 08 2023

web einstieg study documents get answers to your study questions and connect with real tutors for cpa progra 001 ethics and company at cpa australia a better understanding of ethics corporate governance frameworks and mechanisms links with the variously roles the responsibilities outlined in other subjects of the cpa program from

free printable homework planner template pdf word excel - Aug 15 2023

web all assignments that are due the next day are colored red assignments due that week are orange and those that are due that month are yellow word editable pdf excel png this homework tracker can track your homework assignments the subjects due dates and the status of each assignment

**free homework planner templates in google docs google sheets** - May 12 2023

web free templates available now you can start customizing your favorite homework planner in google docs google slides or google sheets without restrictions all you have to do is select the appropriate template go to its page and click on the red edit template button

*free daily work schedule templates smartsheet* - Nov 25 2021

web may 12 2016 this daily work schedule template allows you to plan a single day by the hour view a week at a glance and add important notes keep your work day organized and plan ahead for important meetings events and deadlines use the note section to keep track of priority tasks and important reminders

free printable homework planner template pdf word excel - Apr 30 2022

web free printable student planner to keep you organized and on top of your homework assignments instant download

*templates for college and university assignments microsoft create* - Jan 08 2023

web templates for college and university assignments include customizable templates in your college toolbox stay focused on your studies and leave the assignment structuring to tried and true layout templates for all kinds of papers reports and more

**assignment sheet for students free printables homeschool** - Aug 03 2022

web jan 5 2016 if you d prefer a larger assignment sheet to use with your children you can download these daily assignment sheets this student planner is one we ve been using with our older two girls and absolutely love it find out more here

download the assignment sheet for students ready to download and use

assignment trackers 12 free printables printabulls - Oct 05 2022

web jul 13 2022 the 12 free printable assignment trackers you ll see below are intended to accomplish just that in these assignment trackers you ll find spaces to write in your specific assignment the due date and a space to indicate if it was completed or submitted amongst other details

**templates journals cvs presentations reports and more** - Feb 26 2022

web here we provide a selection of homework assignments templates and examples for school college and university use these often include a question and answer section already set out along with space for the student name course title date and any other required information

**assignment sheet teaching resources tpt** - Sep 04 2022

web this basic daily assignment sheet was designed for 4th graders who copy their assignments from the board it is signed daily in the morning by teachers and initialed by parents at night it s set up to be used in a 3 ring binder

**free class assignment schedule template spreadsheet templates** - Mar 30 2022

web use this free spreadsheet template to plan manage and collaborate on content schedules and assets from one place plan and manage all tasks related to a product launch such as product research marketing materials sales materials and a

timeline of activities

[10 homework planner templates in docs word pages pdf sheets](#) - Nov 06 2022

web keeping an eye on the homework you should accomplish will be easier if you have a visual presentation of your tasks create one with the help of this blank homework chart template you can download this template in pdf file format 11

**free printable homework planner template pdf word excel** - Jun 13 2023

web free printable coursework planner the keeps thou organized and on top of your homework assignments instant download

**free worksheet maker create worksheets online canva** - Mar 10 2023

web create appealing worksheets that are fun to answer select from hundreds of templates and countless design elements to make your worksheets truly an effective and fun learning experience add the title and contents of your worksheet with our editor filled with fonts and typography elements

[daily homework assignment sheet template essay service](#) - Oct 25 2021

web daily homework assignment sheet template apprentice hairdresser cover letter sample resume for nursing graduates problem solving an essay on world environment day easy essay prompts the a4 format is the only format i support for all the assignments on this page

*22 free printable homework planners editable templates* - Jul 14 2023

web editable templates you can access homework planner templates on our website today they are free to download easy to use and can be customized to fit your homework needs choose the one that best suits your needs from below 17 18 19 20 21 22 why keep a homework planner

**16 printable homework planners 100 free docformats com** - Apr 11 2023

web what is a printable homework planner template a printable homework planner template is a fillable table document that you can use to plan the dates and times for when you will complete your assignments printable homework planners templates

**free custom printable worksheet templates for teachers canva** - Jun 01 2022

web our template library has an array of free worksheet templates for teachers that you can use both for educating kids and teens they cover various subjects like math english and social studies they even have other activities like word search coloring pages and more

*homework to do list template vertex42* - Dec 07 2022

web homework to do list a spreadsheet can be a useful tool for tracking your homework assignments due dates and completion status the homework list template on this page was designed based on my original to do list template for excel i simplified it a bit for and modified it specifically for tracking homework assignments

**homework assignment template teaching resources tpt** - Jul 02 2022

web use the simple seasonal templates to type in homework assignments weekly spelling list reminders and upcoming dates this resource is a vital organization and communication tool i ve included a four day template monday thursday as well as a five day template monday friday 12 seasonal designs are included for each layout for a total

**15 printable homework planners pdf word excel templatelab** - Sep 16 2023

web think about the planning method you d like to use you can have daily weekly or monthly planning or to do lists using a binder is a lot easier especially in terms of adding new sections when you need them print out the homework or student planner templates you need after downloading or designing them

homework planner template vertex42 - Feb 09 2023

web homework planner template project on kickstarter homework planner template download a free printable weekly homework planner for excel word or pdf the best thing i can say about this homework planner is that my own kids like it enough to want me to print a copy for them each week

*13 daily sheet templates free word pdf format download* - Jan 28 2022

web daily homework assignment sheet template by using this template you can refer and use proper headings that will help you ensure that you input accurate and updated data in your daily sheets medication sheet template daily sheets could also be ideal for medical purposes

**15 best free printable homework checklist for free at** - Dec 27 2021

web mar 8 2022 author ethan brown editor printablee team are you struggling to stay organized with your homework assignments look no further our free printable homework checklist is the perfect tool to help you stay on top of your tasks with this customizable template you can easily jot down your assignments due dates and