

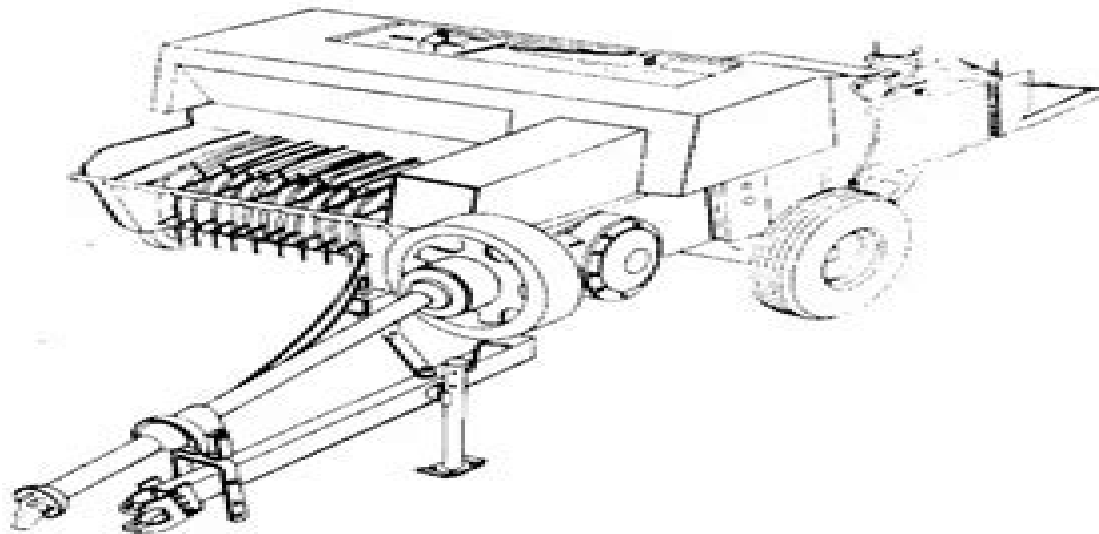
Mike Terrell
1474-014895

Steve -
2183 164415

PARTS BOOK

MF 124/126 BALER

MACHINE SERIES 1474



MF Massey Ferguson
NORTH AMERICAN PARTS OPERATION

FORM NO. 651 317 M95

Mf 124 Square Baler Manual

Michael Brown



Mf 124 Square Baler Manual:

Official Guide ,2005 **Power Farming in Australia and New Zealand Technical Manual** ,1978 Farmers and Consumers Market Bulletin ,2011 Evaluation Report ,1981 **Implement & Tractor Red Book** ,1977 **Prairie Farmer** ,1984 **Bulletin** Virginia. Dept. of Agriculture and Immigration,1969 Agricultural Engineering Index, 1971-1980 Carl W. Hall,James A. Basselman,1982 *Agricultural Engineering Index* ,1982 *The Engineer* ,1968 **Science Citation Index** ,1994 Vols for 1964 have guides and journal lists **Bulletin - Virginia Department of Agriculture** Virginia. Dept. of Agriculture and Commerce,1969

Right here, we have countless ebook **Mf 124 Square Baler Manual** and collections to check out. We additionally pay for variant types and furthermore type of the books to browse. The tolerable book, fiction, history, novel, scientific research, as well as various supplementary sorts of books are readily handy here.

As this Mf 124 Square Baler Manual, it ends happening being one of the favored books Mf 124 Square Baler Manual collections that we have. This is why you remain in the best website to look the amazing books to have.

<https://crm.allthingsbusiness.co.uk/data/detail/Documents/neue%20wege%20familienstellens%20beschreibungen%20internationalen.pdf>

Table of Contents Mf 124 Square Baler Manual

1. Understanding the eBook Mf 124 Square Baler Manual
 - The Rise of Digital Reading Mf 124 Square Baler Manual
 - Advantages of eBooks Over Traditional Books
2. Identifying Mf 124 Square Baler Manual
 - Exploring Different Genres
 - Considering Fiction vs. Non-Fiction
 - Determining Your Reading Goals
3. Choosing the Right eBook Platform
 - Popular eBook Platforms
 - Features to Look for in an Mf 124 Square Baler Manual
 - User-Friendly Interface
4. Exploring eBook Recommendations from Mf 124 Square Baler Manual
 - Personalized Recommendations
 - Mf 124 Square Baler Manual User Reviews and Ratings
 - Mf 124 Square Baler Manual and Bestseller Lists
5. Accessing Mf 124 Square Baler Manual Free and Paid eBooks

- Mf 124 Square Baler Manual Public Domain eBooks
 - Mf 124 Square Baler Manual eBook Subscription Services
 - Mf 124 Square Baler Manual Budget-Friendly Options
6. Navigating Mf 124 Square Baler Manual eBook Formats
- ePub, PDF, MOBI, and More
 - Mf 124 Square Baler Manual Compatibility with Devices
 - Mf 124 Square Baler Manual Enhanced eBook Features
7. Enhancing Your Reading Experience
- Adjustable Fonts and Text Sizes of Mf 124 Square Baler Manual
 - Highlighting and Note-Taking Mf 124 Square Baler Manual
 - Interactive Elements Mf 124 Square Baler Manual
8. Staying Engaged with Mf 124 Square Baler Manual
- Joining Online Reading Communities
 - Participating in Virtual Book Clubs
 - Following Authors and Publishers Mf 124 Square Baler Manual
9. Balancing eBooks and Physical Books Mf 124 Square Baler Manual
- Benefits of a Digital Library
 - Creating a Diverse Reading Collection Mf 124 Square Baler Manual
10. Overcoming Reading Challenges
- Dealing with Digital Eye Strain
 - Minimizing Distractions
 - Managing Screen Time
11. Cultivating a Reading Routine Mf 124 Square Baler Manual
- Setting Reading Goals Mf 124 Square Baler Manual
 - Carving Out Dedicated Reading Time
12. Sourcing Reliable Information of Mf 124 Square Baler Manual
- Fact-Checking eBook Content of Mf 124 Square Baler Manual
 - Distinguishing Credible Sources
13. Promoting Lifelong Learning
- Utilizing eBooks for Skill Development

- Exploring Educational eBooks
- 14. Embracing eBook Trends
 - Integration of Multimedia Elements
 - Interactive and Gamified eBooks

Mf 124 Square Baler Manual Introduction

Free PDF Books and Manuals for Download: Unlocking Knowledge at Your Fingertips In today's fast-paced digital age, obtaining valuable knowledge has become easier than ever. Thanks to the internet, a vast array of books and manuals are now available for free download in PDF format. Whether you are a student, professional, or simply an avid reader, this treasure trove of downloadable resources offers a wealth of information, conveniently accessible anytime, anywhere. The advent of online libraries and platforms dedicated to sharing knowledge has revolutionized the way we consume information. No longer confined to physical libraries or bookstores, readers can now access an extensive collection of digital books and manuals with just a few clicks. These resources, available in PDF, Microsoft Word, and PowerPoint formats, cater to a wide range of interests, including literature, technology, science, history, and much more. One notable platform where you can explore and download free Mf 124 Square Baler Manual PDF books and manuals is the internet's largest free library. Hosted online, this catalog compiles a vast assortment of documents, making it a veritable goldmine of knowledge. With its easy-to-use website interface and customizable PDF generator, this platform offers a user-friendly experience, allowing individuals to effortlessly navigate and access the information they seek. The availability of free PDF books and manuals on this platform demonstrates its commitment to democratizing education and empowering individuals with the tools needed to succeed in their chosen fields. It allows anyone, regardless of their background or financial limitations, to expand their horizons and gain insights from experts in various disciplines. One of the most significant advantages of downloading PDF books and manuals lies in their portability. Unlike physical copies, digital books can be stored and carried on a single device, such as a tablet or smartphone, saving valuable space and weight. This convenience makes it possible for readers to have their entire library at their fingertips, whether they are commuting, traveling, or simply enjoying a lazy afternoon at home. Additionally, digital files are easily searchable, enabling readers to locate specific information within seconds. With a few keystrokes, users can search for keywords, topics, or phrases, making research and finding relevant information a breeze. This efficiency saves time and effort, streamlining the learning process and allowing individuals to focus on extracting the information they need. Furthermore, the availability of free PDF books and manuals fosters a culture of continuous learning. By removing financial barriers, more people can access educational resources and pursue lifelong learning, contributing to personal growth and professional development. This democratization of knowledge promotes intellectual curiosity and empowers

individuals to become lifelong learners, promoting progress and innovation in various fields. It is worth noting that while accessing free Mf 124 Square Baler Manual PDF books and manuals is convenient and cost-effective, it is vital to respect copyright laws and intellectual property rights. Platforms offering free downloads often operate within legal boundaries, ensuring that the materials they provide are either in the public domain or authorized for distribution. By adhering to copyright laws, users can enjoy the benefits of free access to knowledge while supporting the authors and publishers who make these resources available. In conclusion, the availability of Mf 124 Square Baler Manual free PDF books and manuals for download has revolutionized the way we access and consume knowledge. With just a few clicks, individuals can explore a vast collection of resources across different disciplines, all free of charge. This accessibility empowers individuals to become lifelong learners, contributing to personal growth, professional development, and the advancement of society as a whole. So why not unlock a world of knowledge today? Start exploring the vast sea of free PDF books and manuals waiting to be discovered right at your fingertips.

FAQs About Mf 124 Square Baler Manual Books

How do I know which eBook platform is the best for me? Finding the best eBook platform depends on your reading preferences and device compatibility. Research different platforms, read user reviews, and explore their features before making a choice. Are free eBooks of good quality? Yes, many reputable platforms offer high-quality free eBooks, including classics and public domain works. However, make sure to verify the source to ensure the eBook credibility. Can I read eBooks without an eReader? Absolutely! Most eBook platforms offer web-based readers or mobile apps that allow you to read eBooks on your computer, tablet, or smartphone. How do I avoid digital eye strain while reading eBooks? To prevent digital eye strain, take regular breaks, adjust the font size and background color, and ensure proper lighting while reading eBooks. What the advantage of interactive eBooks? Interactive eBooks incorporate multimedia elements, quizzes, and activities, enhancing the reader engagement and providing a more immersive learning experience. Mf 124 Square Baler Manual is one of the best book in our library for free trial. We provide copy of Mf 124 Square Baler Manual in digital format, so the resources that you find are reliable. There are also many Ebooks of related with Mf 124 Square Baler Manual. Where to download Mf 124 Square Baler Manual online for free? Are you looking for Mf 124 Square Baler Manual PDF? This is definitely going to save you time and cash in something you should think about.

Find Mf 124 Square Baler Manual :

~~neue wege familienstellens beschreibungen internationalen~~

~~netapp study guide~~

~~nelco sewing machine manual free~~

~~nederlandse letterkunde~~

~~nederlandse spraakkunst eerste stuk en tweede stuk~~

nervous conditions import

~~network emanager manual~~

nestle supplier quality manual

~~neiman marcus over the top~~

~~net exam question paper with answers for commerce~~

neither right nor left neither right nor left

~~negro american rebellion william wells~~

neonomicon novela grafica

neco2014result

~~neurointerventional management crc press2012 hardcover~~

Mf 124 Square Baler Manual :

~~invest smarter with the motley fool - Feb 25 2022~~

~~web 2 days ago investment companies run by izzy englander and paul tudor jones are piling into this tech stock~~

~~investment appraisal and financing decisions open library - Dec 06 2022~~

~~web mar 17 1994 investment appraisal and financing decisions by stephen lumpy and chris jones s p lumby stephen lumby~~

~~march 17 1994 thomson learning edition~~

~~corporate finance theory and practice amazon co uk lumby - Oct 04 2022~~

~~web the tenth edition by steve lumby and chris jones provides a comprehensive insight into the complex and ever changing area of corporate finance covering some of the~~

theory practice steve lumby and chris jones worldcat org - Apr 10 2023

~~web authors steve lumby chris jones summary offers a complete introduction to financial management and corporate finance though it is predominantly theoretical in focus this~~

dow industrials paying price for leaving out amazon and alphabet - Jan 27 2022

web 12 hours ago for a lesson in the pitfalls of market timing consider the dow jones industrial average whose refusal of admission to alphabet inc and amazon com inc

pdf corporate finance by steve lumby ebook perlego - Jul 01 2022

web about this book the tenth edition by steve lumby and chris jones provides a comprehensive insight into the complex and ever changing area of corporate finance

lumby and jones investment - May 31 2022

web lumby and jones investment 5 5 environment economy and industry strategic sports event management olympic edition provides students and event managers with an

investment appraisal and financial decisions lumby stephen - Mar 29 2022

web investment appraisal and financial decisions by lumby stephen publication date 1999 jones chris boxid ia40057223 camera usb ptp class camera collection set

fundamentals of investment appraisal by steve lumby open - Nov 05 2022

web oct 12 2000 fundamentals of investment appraisal by steve lumby christopher jones october 12 2000 int cengage business press edition paperback in english 1 edition

apple stock falls as investors monitor iphone 15 debut - Nov 24 2021

web shares of apple declined as much as 1 7 on tuesday with investors monitoring the hotly anticipated iphone 15 debut over the last five days the stock has fallen more than 6

irby investments llc linkedin - Apr 17 2021

web melanie jones investment sales manager at irby investments llc cindy everett office manager see all employees similar pages irby group real estate

lumby bc homes for sale real estate point2 - Jun 19 2021

web you re in the right place for real estate 100 homes for sale in lumby bc are available on point2 one might be yours

fundamentals of investment appraisal by chris jones goodreads - Aug 02 2022

web oct 12 2000 chris jones steve lumby this short text by the authors of investment appraisal and financial decisions focuses on investment appraisal decisions it

corporate finance theory and practice researchgate - Jun 12 2023

web jan 1 2007 the assessment of investments is one of the most critical aspects of corporate finance ross et al 1999 vishwanath 2007 an investment can be defined

investment appraisal and financing decisions open library - Mar 09 2023

web apr 20 2023 investment appraisal and financing decisions by stephen lumby and chris jones s p lumby stephen lumby
1991 chapman hall brand cengage

investment appraisal and financial decisions amazon com - Feb 13 2021

web dec 3 1998 6th edition this bestseller offers a complete introduction to financial management and corporate finance
modules for a one year university course it is a

disney stock rises as asset sale reports swirl the wall street - Dec 26 2021

web 9 hours ago shares of walt disney rose friday as broader markets fell and investors digested reports that the company
might sell some of its media assets please contact

fundamentals of investment appraisal stephen lumby chris - Jan 07 2023

web this new short text by the authors of investment appraisal and financial decisions focuses on investment appraisal
decisions fundamentals of investment appraisal examines

why friday s triple witching is an ill omen for market calm - Oct 24 2021

web 11 hours ago this could make markets choppy investors and analysts warn the contracts that expire friday include
options tied to single stocks as well as options and

this day in 1960 eisenhower signs real estate investment - Aug 22 2021

web 1 day ago president dwight d eisenhower signed the real estate investment trust act on sept 14 1960 the law created
reits which gave everyday stock traders a way to

corporate finance theory practice stephen lumby - Jul 13 2023

web stephen lumby steve lumby chris jones cengage learning 2011 business enterprises 726 pages now in its eighth edition
this best selling and highly regarded

investment appraisal and financial decisions by lumby stephen - Sep 03 2022

web investment appraisal and financial decisions lumby stephen jones chris book english 6th ed 1999 rate this 1 5 2 5 3 5 4 5
5 5 no availability records for this item

lumby mls listings real estate for sale zolo ca - May 19 2021

web 92 homes for sale in lumby bc see photos of new lumby real estate mls listings faster than mls ca updated every 15 mins
lumby search by location questrade

lumby bc real estate listings houses for sale rew - Mar 17 2021

web find lumby homes for sale rew makes buying your dream home in lumby bc easy and fun with our comprehensive real
estate search tools and property information such as

investment appraisal and financial decisions stephen lumby - May 11 2023

web investment appraisal and financial decisions this bestseller offers a complete introduction to financial management and corporate finance modules for a one year university course

corporate finance theory and practice amazon com - Feb 08 2023

web jan 15 2019 the tenth edition by steve lumby and chris jones provides a comprehensive insight into the complex and ever changing area of corporate finance

46 lumby real estate mls listings houses for sale - Jul 21 2021

web find 46 houses for sale in lumby bc visit realtor ca to see all the lumby bc real estate listings on the mls systems today prices starting at 119 900

investment appraisal and financial decisions amazon co uk - Apr 29 2022

web buy investment appraisal and financial decisions 6 by lumby stephen jones chris isbn 9781861522573 from amazon s book store everyday low prices and free

calpers investment is losing its investment chief again - Sep 22 2021

web 7 hours ago the nation s largest pension fund the california public employees retirement system said friday that investment chief nicole musicco will step down after a year and

corporate finance theory and practice steve lumby chris - Aug 14 2023

web steve lumby chris jones cengage learning 2019 business enterprises 647 pages the tenth edition by steve lumby and chris jones provides a comprehensive insight

vietnam simple english wikipedia the free encyclopedia - Jan 25 2023

web vietnam vietnamese cộng hòa xã hội chủ nghĩa việt nam is a country in southeast asia the long form name of the country is the socialist republic of vietnam the neighboring countries of vietnam are china laos and cambodia vietnam is one of five countries that still have a communist government

vietnam vikipedi - Oct 02 2023

web vietnam vietnamca việt nam dinle yardım bilgi resmî adı ile vietnam sosyalist cumhuriyeti güneydoğu asya da Çinhindi yarımadası nın doğusunda yer alan bir ülkedir

vietnam travel guide lonely planet asia - Apr 27 2023

web explore vietnam holidays and discover the best time and places to visit vietnam s best sights and local secrets from travel experts you can trust vietnam travel guide lonely planet asia

visit vietnam the official tourism website of vietnam - Jun 29 2023

web discover the highlights of vietnam through the country s official tourism website plan your trip with advice on vietnam s best destinations what to do in vietnam visas for vietnam where to go in vietnam and much more

vietnam history population map flag government facts - May 29 2023

web oct 31 2023 home games quizzes history society science tech biographies animals nature geography travel arts culture money videos vietnam country occupying the eastern portion of mainland southeast asia it has a long coastline much of which fronts on the south china sea to the east and south

[vietnam wikipedia](#) - Jul 31 2023

web vietnam vietnamese việt nam việt nã:m officially the socialist republic of vietnam srv is a country at the eastern edge of mainland southeast asia with an area of 331 212 square kilometres 127 882 sq mi and a population of over 100 million making it the world s fifteenth most populous country

vietnam country profile bbc news - Feb 23 2023

web apr 5 2023 vietnam a one party communist state has been one of south east asia s fastest growing economies it has been a unified country since 1975 when the armed forces of the communist north seized the

[vietnam the world factbook](#) - Mar 27 2023

web oct 24 2023 people s army of vietnam pavn aka vietnam people s army vpa ground forces navy includes naval infantry air force and air defense border defense force vietnam coast guard vietnam people s public security ministry vietnam civil defense force 2023 note 1 the people s public security ministry is responsible for

[viet nam vietnam country profile việt nam asia](#) - Dec 24 2022

web vietnam officially the socialist republic of vietnam is a long stretched country along the eastern coast of the indochinese peninsula vietnam borders china in north laos and cambodia in west the nation is bordering the south china sea in east and the gulf of tonkin with the island of hainan dao china in north east the country shares maritime

vietnam gezi rehberi gezimanya - Sep 01 2023

web güneydoğu asya Çinhindi yarımadası nın doğusunda bulunan vietnam ın sınırları kuzeyde Çin le güneybatıda kamboçya yla kuzeybatıda laos la ve güneydoğuda malezya ile çizilmiştir vietnam sahip olduğu benzersiz biyo çeşitlilik ile dünyada 25 sırada gelmektedir

[biology 10th edition raven test bank download pdf scribd](#) - Aug 14 2023

web biology 10th edition raven test bank download free download as pdf file pdf text file txt or read online for free test bank test bank for biology raven 10th edition pdf uniport edu - Mar 29 2022

web map raven biology 12th edition front matter 1 the science of biology 2 the nature of molecules and the properties of water 3 the chemical building blocks of life 4 cell structure 5 membranes 6 energy and metabolism 7 how cells harvest energy

[biology by raven 10th edition test bank app piphany com](#) - Nov 24 2021

[biology 10th edition raven test bank by a732251732 issuu](#) - May 11 2023

web may 5 2018 [biology 10th edition raven test bank full file at testbankuniv eu biology 10th edition raven test bank](#)

[biology 10th edition raven test bank by corinebi73](#) - Feb 08 2023

web we would like to show you a description here but the site won t allow us

biology 10th edition raven test bank icelark - Apr 10 2023

web download biology 10th edition raven test bank instantly and printed pdf and if you re for more you re in the right place discover now

[test bank for biology raven 10th edition pdf uniport edu](#) - Oct 24 2021

test bank for biology raven 10th edition pdf uniport edu - Dec 26 2021

web jul 20 2023 getting this info get the test bank for biology raven 10th edition belong to that we have the funds for here and check out the link you could purchase lead test bank for biology raven 10th edition or get it as soon as feasible you could quickly download this test bank for biology raven 10th edition after getting deal

test bank for biology raven 10th edition pdf uniport edu - Feb 25 2022

web jul 30 2023 test bank for biology raven 10th edition 1 7 downloaded from uniport edu ng on july 30 2023 by guest test bank for biology raven 10th edition getting the books test bank for biology raven 10th edition now is not type of challenging means you could not and no one else going behind ebook growth or library or borrowing

[test bank for biology 11th edition by raven studocu](#) - Apr 29 2022

web mar 15 2023 latency epoch to download any of our books afterward this one merely said the test bank for biology raven 10th edition is universally compatible similar to any devices to read biology peter h raven 1999 take a new look at raven biology is an authoritative majors textbook focusing on evolution as a unifying theme

[test bank solutions for biology 12th edition by peter raven](#) - Sep 03 2022

web test bank for biology raven 10th edition pdf introduction test bank for biology raven 10th edition pdf download only loose leaf for biology peter stiling dr ph d 2019 01 08 over the course of five editions the ways in which biology is taught have dramatically changed we have seen a shift away from the

biology 10th edition raven test bank testallbank com - Mar 09 2023

web biology 10th edition raven test bank provides a thorough evidence based practice study pdf review of core textbook content to help focus your study time and effectively prepare for class course exams and nursing exams while ensuring you become the best nurse

biology 10th edition raven test bank prep nurse - Jan 07 2023

web you are buying solutions manual for biology 10th edition by raven solutions manual comes in a pdf or word format and available for download only biology 10th edition raven raven solutions manual only no

quora a place to share knowledge and better understand the world - Dec 06 2022

web we would like to show you a description here but the site won t allow us

quora - Oct 04 2022

web jul 7 2022 biology test bank for biology 13e 13th edition by peter raven and george johnson and kenneth mason isbn 13 7852 part i the molecular basis of life 1 the science of biology 2 the nature of molecules and the properties of water 3 the chemical building blocks of life part ii biology of the cell 4 show more last document update

test bank for biology 10th edition by raven tutor website - Jul 13 2023

web complete downloadable test bank for biology 10th edition by raven instructor resource information title biology resource test bank edition 10th edition author raven johnson mason losos singer publisher mcgraw hill higher education table of

content chapter 1 the science of biology chapter 2 the

map raven biology 12th edition biology libretxts - Jan 27 2022

web provide biology by raven 10th edition test bank and numerous book collections from fictions to scientific research in any way in the middle of them is this biology by raven 10th edition test bank that can be your partner

test bank for biology raven 10th edition pdf download only - Jul 01 2022

web full file at testbanku test bank for biology 11th edition by raven complete downloadable file at testbanku test bank for biology 11th edition by raven multiple choice questions 1 science is subdivided into specific areas of study termed disciplines

biology 10th edition raven download free pdf or buy books - Jun 12 2023

web title biology 10th edition raven test bank keywords biology 10th edition raven test bank created date 1132014 24821 pm

biology 10th edition raven test bank ebooks view pdf biology 10th edition raven johnson textbooks barnes noble showing all of 24 results for biology 10th edition raven johnson in all products biology view pdf

test bank for biology 13th edition by peter raven stuvia - Aug 02 2022

web test bank for biology 10th edition by raven download biology 10th edition raven test bank downloaded from ci kubesail com by guest jada brylee testbank download biology raven 10th edition test banks for biology practice test bank for biology by raven 10th edition properties of water iq test raven s 60 60 biology 11 edition 2017

biology 10th edition raven solutions manual test bank - Nov 05 2022

web oct 3 2020 solutions manual test bank for biology 12e by raven johnson mason losos duncan isbn10 1260169618 isbn13 9781260169614 publisher mcgraw hill higher education we provide help in connect assignments connect homeworks connect quizzes apart from solutions test bank ebook for all subjects editions

biology 10th edition raven test bank pdf ci kubesail - May 31 2022

web jul 28 2023 bank for biology raven 10th edition can be one of the options to accompany you taking into consideration having other time it will not waste your time tolerate me the e book will agreed announce you additional event to read