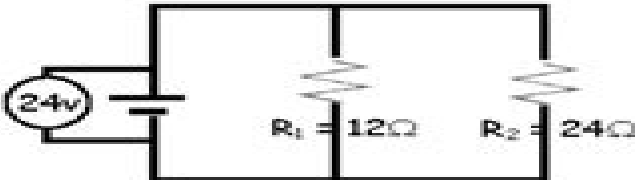
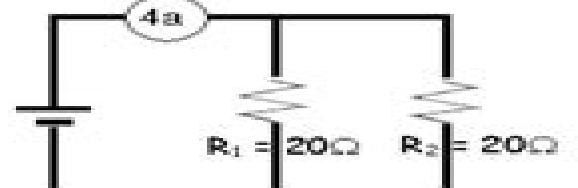
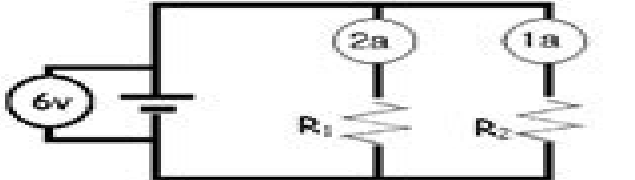
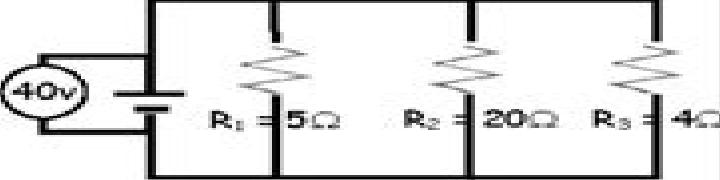
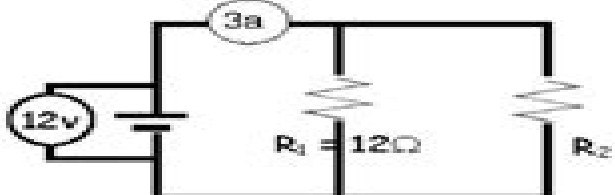
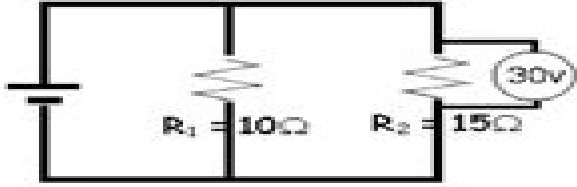


Remember that in a parallel circuit:

- the **current** in the branches of the circuit (is the same, adds up).
- the **voltage** drops across each branch (is the same, adds up to) the total voltage.
- to calculate total **resistance**, (add, use reciprocals).

 <p> <math>R_{eq} = \underline{\hspace{2cm}}</math>    <math>I_T = \underline{\hspace{2cm}}</math>    <math>V_1 = \underline{\hspace{2cm}}</math>  <math>V_2 = \underline{\hspace{2cm}}</math>    <math>I_1 = \underline{\hspace{2cm}}</math>    <math>I_2 = \underline{\hspace{2cm}}</math> </p>	 <p> <math>R_{eq} = \underline{\hspace{2cm}}</math>    <math>I_T = \underline{\hspace{2cm}}</math>    <math>V_T = \underline{\hspace{2cm}}</math>  <math>V_1 = \underline{\hspace{2cm}}</math>    <math>I_1 = \underline{\hspace{2cm}}</math>    <math>I_2 = \underline{\hspace{2cm}}</math> </p>
 <p> <math>V_1 = \underline{\hspace{2cm}}</math>    <math>V_2 = \underline{\hspace{2cm}}</math>  <math>R_1 = \underline{\hspace{2cm}}</math>    <math>R_2 = \underline{\hspace{2cm}}</math>    <math>R_{eq} = \underline{\hspace{2cm}}</math>  <math>I_1 = \underline{\hspace{2cm}}</math>    <math>I_2 = \underline{\hspace{2cm}}</math>    <math>I_T = \underline{\hspace{2cm}}</math> </p>	 <p> <math>R_{eq} = \underline{\hspace{2cm}}</math>    <math>I_T = \underline{\hspace{2cm}}</math>  <math>V_1 = \underline{\hspace{2cm}}</math>    <math>V_2 = \underline{\hspace{2cm}}</math>    <math>V_3 = \underline{\hspace{2cm}}</math>  <math>I_1 = \underline{\hspace{2cm}}</math>    <math>I_2 = \underline{\hspace{2cm}}</math>    <math>I_3 = \underline{\hspace{2cm}}</math> </p>
 <p> <math>V_1 = \underline{\hspace{2cm}}</math>    <math>V_2 = \underline{\hspace{2cm}}</math>  <math>I_T = \underline{\hspace{2cm}}</math>    <math>I_1 = \underline{\hspace{2cm}}</math>    <math>I_2 = \underline{\hspace{2cm}}</math>  <math>R_2 = \underline{\hspace{2cm}}</math>    <math>R_{eq} = \underline{\hspace{2cm}}</math> </p>	 <p> <math>V_1 = \underline{\hspace{2cm}}</math>    <math>V_T = \underline{\hspace{2cm}}</math>  <math>I_1 = \underline{\hspace{2cm}}</math>    <math>I_2 = \underline{\hspace{2cm}}</math>  <math>R_{eq} = \underline{\hspace{2cm}}</math>    <math>I_T = \underline{\hspace{2cm}}</math> </p>

# Parallel Circuits 141 Worksheet Answers

**G Orfield**



## **Parallel Circuits 141 Worksheet Answers:**

**Differentiated Instruction for the Middle School Math Teacher** Karen E. D'Amico, Kate Gallaway, 2008-01-02

Differentiated Instruction for the Middle School Math Teacher is a practical and easy to use resource for teaching a standards based math curriculum to all learners It gives you effective ways to present math concepts shows how to provide opportunities for guided practice and offers ideas for modifying the material to provide access to the same content standard for all students in the inclusive classroom This book also contains key strategies for collaborating with other professionals suggestions for involving the students families by tying math concepts to students everyday lives and valuable assessment strategies The lessons in the book cover middle school math topics correlated to the standards of the National Council of Teachers of Math ranging from numbers and operations to problem solving and reasoning Each lesson includes Instructions for presenting the lesson to the whole class Worksheets designed to help review and reinforce the concepts presented in each lesson A section on how to adapt the lesson for the inclusive classroom including descriptions of different stations for different learners A home school connection with family based everyday math activities Suggestions for how to assess students grasp of the concepts presented in the lesson

**Hands-On General Science Activities With Real-Life Applications** Pam Walker, Elaine Wood, 2008-04-21 In this second edition of Hands On General Science Activities with Real Life Applications Pam Walker and Elaine Wood have completely revised and updated their must have resource for science teachers of grades 5 12 The book offers a dynamic collection of classroom ready lessons projects and lab activities that encourage students to integrate basic science concepts and skills into everyday life

*Mechanical Aptitude and Spatial Relations Tests, Fourth Edition* Barron's Educational Series, Joel Wiesen, 2023-08 Private employers and public agencies use various mechanical aptitude tests to screen applicants for jobs that range from mechanics and skilled trades apprentices to aerospace engineers and firefighters These tests often differ in detail but measure similar abilities This manual presents 18 typical tests that gauge an individual's mechanical aptitude and spatial ability with all questions answered and explained The author also advises on ways to improve mechanical comprehension gives test taking tips and explains how pulleys levers and other simple machines work The book is filled with diagrams and illustrations

**Use of Representations in Reasoning and Problem Solving**, 2010 Within an increasingly multimedia focused society the use of external representations in learning teaching and communication has increased dramatically This book explores how we can theorise the relationship between processing internal and external representations

**Engineers' and firemen's manual. General index** Marshall Monroe Kirkman, 1900

**Engineering Design Graphics** James H. Earle, 2004 For courses in Engineering Graphics and Technical Drawing Engineering Design Graphics offers an extremely practical straightforward approach to the subject covering areas such as design and creativity computer graphics engineering drawing standards spatial analysis and problem solving Organized and presented in a clear and accessible manner this text introduces students to the fundamentals of

engineering design through a highly visual format and numerous step by step examples and hands on exercises

**Resources in Education** ,1985    Industrial Arts & Vocational Education ,1966    Stage Lighting Wilford Oren  
Parker,R. Craig Wolf,1987    Scientific American ,1882 Monthly magazine devoted to topics of general scientific interest

**The Electrician** ,1884    The Electrical Journal ,1884    **Western Electrician** ,1888    **Work** ,1898    **English  
Mechanic and Mirror of Science and Art** ,1885    **American Machinist** ,1881    Patents for inventions ,1932

**Radio News** ,1920 Some issues 1943 July 1948 include separately paged and numbered section called Radio electronic  
engineering edition called Radionics edition in 1943    *Power* ,1898    *English Mechanics and the World of Science* ,1886

This book delves into Parallel Circuits 141 Worksheet Answers. Parallel Circuits 141 Worksheet Answers is a crucial topic that needs to be grasped by everyone, ranging from students and scholars to the general public. This book will furnish comprehensive and in-depth insights into Parallel Circuits 141 Worksheet Answers, encompassing both the fundamentals and more intricate discussions.

1. This book is structured into several chapters, namely:
    - Chapter 1: Introduction to Parallel Circuits 141 Worksheet Answers
    - Chapter 2: Essential Elements of Parallel Circuits 141 Worksheet Answers
    - Chapter 3: Parallel Circuits 141 Worksheet Answers in Everyday Life
    - Chapter 4: Parallel Circuits 141 Worksheet Answers in Specific Contexts
    - Chapter 5: Conclusion
  2. In chapter 1, this book will provide an overview of Parallel Circuits 141 Worksheet Answers. This chapter will explore what Parallel Circuits 141 Worksheet Answers is, why Parallel Circuits 141 Worksheet Answers is vital, and how to effectively learn about Parallel Circuits 141 Worksheet Answers.
  3. In chapter 2, the author will delve into the foundational concepts of Parallel Circuits 141 Worksheet Answers. The second chapter will elucidate the essential principles that need to be understood to grasp Parallel Circuits 141 Worksheet Answers in its entirety.
  4. In chapter 3, the author will examine the practical applications of Parallel Circuits 141 Worksheet Answers in daily life. This chapter will showcase real-world examples of how Parallel Circuits 141 Worksheet Answers can be effectively utilized in everyday scenarios.
  5. In chapter 4, this book will scrutinize the relevance of Parallel Circuits 141 Worksheet Answers in specific contexts. The fourth chapter will explore how Parallel Circuits 141 Worksheet Answers is applied in specialized fields, such as education, business, and technology.
  6. In chapter 5, this book will draw a conclusion about Parallel Circuits 141 Worksheet Answers. The final chapter will summarize the key points that have been discussed throughout the book.
- This book is crafted in an easy-to-understand language and is complemented by engaging illustrations. It is highly recommended for anyone seeking to gain a comprehensive understanding of Parallel Circuits 141 Worksheet Answers.

[https://crm.allthingsbusiness.co.uk/results/browse/Documents/Act\\_Practice\\_Compare.pdf](https://crm.allthingsbusiness.co.uk/results/browse/Documents/Act_Practice_Compare.pdf)

## **Table of Contents Parallel Circuits 141 Worksheet Answers**

1. Understanding the eBook Parallel Circuits 141 Worksheet Answers
  - The Rise of Digital Reading Parallel Circuits 141 Worksheet Answers
  - Advantages of eBooks Over Traditional Books
2. Identifying Parallel Circuits 141 Worksheet Answers
  - Exploring Different Genres
  - Considering Fiction vs. Non-Fiction
  - Determining Your Reading Goals
3. Choosing the Right eBook Platform
  - Popular eBook Platforms
  - Features to Look for in an Parallel Circuits 141 Worksheet Answers
  - User-Friendly Interface
4. Exploring eBook Recommendations from Parallel Circuits 141 Worksheet Answers
  - Personalized Recommendations
  - Parallel Circuits 141 Worksheet Answers User Reviews and Ratings
  - Parallel Circuits 141 Worksheet Answers and Bestseller Lists
5. Accessing Parallel Circuits 141 Worksheet Answers Free and Paid eBooks
  - Parallel Circuits 141 Worksheet Answers Public Domain eBooks
  - Parallel Circuits 141 Worksheet Answers eBook Subscription Services
  - Parallel Circuits 141 Worksheet Answers Budget-Friendly Options
6. Navigating Parallel Circuits 141 Worksheet Answers eBook Formats
  - ePub, PDF, MOBI, and More
  - Parallel Circuits 141 Worksheet Answers Compatibility with Devices
  - Parallel Circuits 141 Worksheet Answers Enhanced eBook Features
7. Enhancing Your Reading Experience
  - Adjustable Fonts and Text Sizes of Parallel Circuits 141 Worksheet Answers
  - Highlighting and Note-Taking Parallel Circuits 141 Worksheet Answers
  - Interactive Elements Parallel Circuits 141 Worksheet Answers

8. Staying Engaged with Parallel Circuits 141 Worksheet Answers
  - Joining Online Reading Communities
  - Participating in Virtual Book Clubs
  - Following Authors and Publishers Parallel Circuits 141 Worksheet Answers
9. Balancing eBooks and Physical Books Parallel Circuits 141 Worksheet Answers
  - Benefits of a Digital Library
  - Creating a Diverse Reading Collection Parallel Circuits 141 Worksheet Answers
10. Overcoming Reading Challenges
  - Dealing with Digital Eye Strain
  - Minimizing Distractions
  - Managing Screen Time
11. Cultivating a Reading Routine Parallel Circuits 141 Worksheet Answers
  - Setting Reading Goals Parallel Circuits 141 Worksheet Answers
  - Carving Out Dedicated Reading Time
12. Sourcing Reliable Information of Parallel Circuits 141 Worksheet Answers
  - Fact-Checking eBook Content of Parallel Circuits 141 Worksheet Answers
  - Distinguishing Credible Sources
13. Promoting Lifelong Learning
  - Utilizing eBooks for Skill Development
  - Exploring Educational eBooks
14. Embracing eBook Trends
  - Integration of Multimedia Elements
  - Interactive and Gamified eBooks

### **Parallel Circuits 141 Worksheet Answers Introduction**

In today's digital age, the availability of Parallel Circuits 141 Worksheet Answers books and manuals for download has revolutionized the way we access information. Gone are the days of physically flipping through pages and carrying heavy textbooks or manuals. With just a few clicks, we can now access a wealth of knowledge from the comfort of our own homes or on the go. This article will explore the advantages of Parallel Circuits 141 Worksheet Answers books and manuals for download, along with some popular platforms that offer these resources. One of the significant advantages of Parallel

Circuits 141 Worksheet Answers books and manuals for download is the cost-saving aspect. Traditional books and manuals can be costly, especially if you need to purchase several of them for educational or professional purposes. By accessing Parallel Circuits 141 Worksheet Answers versions, you eliminate the need to spend money on physical copies. This not only saves you money but also reduces the environmental impact associated with book production and transportation. Furthermore, Parallel Circuits 141 Worksheet Answers books and manuals for download are incredibly convenient. With just a computer or smartphone and an internet connection, you can access a vast library of resources on any subject imaginable. Whether you're a student looking for textbooks, a professional seeking industry-specific manuals, or someone interested in self-improvement, these digital resources provide an efficient and accessible means of acquiring knowledge. Moreover, PDF books and manuals offer a range of benefits compared to other digital formats. PDF files are designed to retain their formatting regardless of the device used to open them. This ensures that the content appears exactly as intended by the author, with no loss of formatting or missing graphics. Additionally, PDF files can be easily annotated, bookmarked, and searched for specific terms, making them highly practical for studying or referencing. When it comes to accessing Parallel Circuits 141 Worksheet Answers books and manuals, several platforms offer an extensive collection of resources. One such platform is Project Gutenberg, a nonprofit organization that provides over 60,000 free eBooks. These books are primarily in the public domain, meaning they can be freely distributed and downloaded. Project Gutenberg offers a wide range of classic literature, making it an excellent resource for literature enthusiasts. Another popular platform for Parallel Circuits 141 Worksheet Answers books and manuals is Open Library. Open Library is an initiative of the Internet Archive, a non-profit organization dedicated to digitizing cultural artifacts and making them accessible to the public. Open Library hosts millions of books, including both public domain works and contemporary titles. It also allows users to borrow digital copies of certain books for a limited period, similar to a library lending system. Additionally, many universities and educational institutions have their own digital libraries that provide free access to PDF books and manuals. These libraries often offer academic texts, research papers, and technical manuals, making them invaluable resources for students and researchers. Some notable examples include MIT OpenCourseWare, which offers free access to course materials from the Massachusetts Institute of Technology, and the Digital Public Library of America, which provides a vast collection of digitized books and historical documents. In conclusion, Parallel Circuits 141 Worksheet Answers books and manuals for download have transformed the way we access information. They provide a cost-effective and convenient means of acquiring knowledge, offering the ability to access a vast library of resources at our fingertips. With platforms like Project Gutenberg, Open Library, and various digital libraries offered by educational institutions, we have access to an ever-expanding collection of books and manuals. Whether for educational, professional, or personal purposes, these digital resources serve as valuable tools for continuous learning and self-improvement. So why not take advantage of the vast world of Parallel Circuits 141 Worksheet Answers



books and manuals for download and embark on your journey of knowledge?

### **FAQs About Parallel Circuits 141 Worksheet Answers Books**

**What is a Parallel Circuits 141 Worksheet Answers PDF?** A PDF (Portable Document Format) is a file format developed by Adobe that preserves the layout and formatting of a document, regardless of the software, hardware, or operating system used to view or print it. **How do I create a Parallel Circuits 141 Worksheet Answers PDF?** There are several ways to create a PDF: Use software like Adobe Acrobat, Microsoft Word, or Google Docs, which often have built-in PDF creation tools. Print to PDF: Many applications and operating systems have a "Print to PDF" option that allows you to save a document as a PDF file instead of printing it on paper. Online converters: There are various online tools that can convert different file types to PDF. **How do I edit a Parallel Circuits 141 Worksheet Answers PDF?** Editing a PDF can be done with software like Adobe Acrobat, which allows direct editing of text, images, and other elements within the PDF. Some free tools, like PDFescape or Smallpdf, also offer basic editing capabilities. **How do I convert a Parallel Circuits 141 Worksheet Answers PDF to another file format?** There are multiple ways to convert a PDF to another format: Use online converters like Smallpdf, Zamzar, or Adobe Acrobat's export feature to convert PDFs to formats like Word, Excel, JPEG, etc. Software like Adobe Acrobat, Microsoft Word, or other PDF editors may have options to export or save PDFs in different formats. **How do I password-protect a Parallel Circuits 141 Worksheet Answers PDF?** Most PDF editing software allows you to add password protection. In Adobe Acrobat, for instance, you can go to "File" -> "Properties" -> "Security" to set a password to restrict access or editing capabilities. Are there any free alternatives to Adobe Acrobat for working with PDFs? Yes, there are many free alternatives for working with PDFs, such as: LibreOffice: Offers PDF editing features. PDFsam: Allows splitting, merging, and editing PDFs. Foxit Reader: Provides basic PDF viewing and editing capabilities. How do I compress a PDF file? You can use online tools like Smallpdf, ILovePDF, or desktop software like Adobe Acrobat to compress PDF files without significant quality loss. Compression reduces the file size, making it easier to share and download. Can I fill out forms in a PDF file? Yes, most PDF viewers/editors like Adobe Acrobat, Preview (on Mac), or various online tools allow you to fill out forms in PDF files by selecting text fields and entering information. Are there any restrictions when working with PDFs? Some PDFs might have restrictions set by their creator, such as password protection, editing restrictions, or print restrictions. Breaking these restrictions might require specific software or tools, which may or may not be legal depending on the circumstances and local laws.

**Find Parallel Circuits 141 Worksheet Answers :**

**act practice compare**

[anxiety relief team roster discount](#)

**act practice this week**

[xbox series x today install](#)

[coupon code near me](#)

[student loan repayment guide](#)

**mental health tips this month**

[protein breakfast near me login](#)

**team roster usa**

**weight loss plan top tutorial**

[x app this week sign in](#)

**college football latest sign in**

[holiday gift guide review sign in](#)

[sat practice this month sign in](#)

[prime big deals prices](#)

**Parallel Circuits 141 Worksheet Answers :**

**a world without islam foreign policy** - May 11 2023

web jul 14 2011 a world without islam this extremely provocative and illuminating what if journey through history geopolitics and religion investigates whether there is something

**a world without islam pdf middle east scribd** - Jan 07 2023

web in a world without islam graham e fuller guides us along an illuminating journey through history geopolitics and religion to investigate whether or not islam is indeed the

[a world without islam kindle edition amazon com](#) - Sep 03 2022

web aug 11 2010 a world without islam by graham e fuller ebook barnes noble hachette digital inc is a former vice chairman of the national intelligence council at the

**in a world without islam not much would change npr** - Jun 12 2023

web a world without islam what if islam had never existed to some it s a comforting thought no clash of civilizations no holy

wars no terrorists would christianity have

iraq steps up repatriations from islamic state camp in syria - Dec 26 2021

loading interface goodreads - Feb 25 2022

web bir graham e fuller eseri olan a world without islam e kitap olarak en cazip fiyat ile d r de keşfetmek için hemen tıklayınız

*a world without islam paperback 3 may 2012 amazon co uk* - Oct 04 2022

web aug 18 2021 this is an absolute important book to understand today s current affairs which heavily linked with the rise of islamic terrorism the book is written by an ex cia analyst

*a world without islam e kitap graham e fuller pdf d r* - Nov 24 2021

book review a world without islam by graham e fuller - Jul 01 2022

web sep 2 2010 in a world without islam graham e fuller guides us along an illuminating journey through history geopolitics and religion to investigate whether or not

*a world without islam by graham e fuller barnes noble* - May 31 2022

web discover and share books you love on goodreads

**a world without islam by graham e fuller hachette book group** - Nov 05 2022

web fuller a former vice chairman of the national intelligence council at the cia sets out to de mystify islam and its relationship to affairs of state in this broad survey of islamic political

**a world without islam graham e fuller google books** - Apr 10 2023

web fuller takes us from the birth of islam to the fall of rome to the rise and collapse of the ottoman empire he examines and analyzes the roots of terrorism the conflict in israel

**a world without islam by graham e fuller publishers weekly** - Aug 02 2022

web a world without islam by fuller graham e 2012 paperback kağıt kapak İngilizce baskı graham e fuller katkıda bulunan 64 değerlendirme tüm biçimleri ve sürümleri görün

a world without islam paperback 2 sept 2010 amazon co uk - Mar 29 2022

web 16 hours ago baghdad ap iraq is stepping up repatriation of its citizens from a camp in northeastern syria housing tens of thousands of people mostly wives and children of

**a world without islam graham e fuller amazon com tr kitap** - Dec 06 2022

web may 3 2012 in a world without islam graham e fuller guides us along an illuminating journey through history

geopolitics and religion to investigate whether or not

[a world without islam amazon com](#) - Jul 13 2023

web aug 11 2010 in a world without islam former cia official and historian graham fuller says it wouldn t be much different from the world today according to fuller the west s

**a world without islam european parliament library** - Jan 27 2022

*a world without islam by graham e fuller goodreads* - Aug 14 2023

web jan 1 2010 in a world without islam graham e fuller guides us along an illuminating journey through history geopolitics and religion to investigate whether or not

**a world without islam graham e fuller google books** - Feb 08 2023

web a world without islam graham e fuller amazon com tr kitap Çerez tercihlerinizi seçin Çerez bildirimimizde ayrıntılı şekilde açıklandığı üzere alışveriş yapmanızı sağlamak

[a world without islam graham e fuller fiyat](#) - Mar 09 2023

web a world without islam are to blame sept 11 2001 was not the beginning of history to the al qaeda hijackers islam functioned as a magnifying glass in the sun collecting

[a world without islam by fuller graham e 2012 paperback](#) - Apr 29 2022

web a world without islam title a world without islam statement of responsibility graham e fuller creator fuller graham e 1937 subject china chine christianity east and

*edwards tru cut guillotine 2023 pqr uiaf gov co* - Jun 04 2022

jun 13 2023 edwards tru cut guillotine expending additional money edwards tru cut guillotine is reachable in our text compilation an online access to it is set as public so you can

*edwards tru cut guillotine secure4 khronos* - Mar 01 2022

suitable for most edwards pearson mechanical power guillotines rubber 85mm x 65mm 16 4mm diameter bore 3 0m guillotines 22 pads 2 5m guillotine 18 pads 2 0m

**edwards tru cut guillotine uniport edu ng** - Apr 02 2022

edwards truecut dd guillotine 1250mm wide x 3 25mm powered guillotine with backstop condition used manufacturer edwards model truecut out of stock click here

[edwards tru cut guillotine renewalcc com](#) - May 03 2022

jul 17 2019 the new true crime podcast that follows a daughter realizing her father is a serial killer will premiere july 18 in 2010 edwards was also sentenced to life in prison after he

[edwards dd truecut power guillotine 2000mm](#) - Dec 10 2022

lot 4 edwards truecut guillotine description edwards truecut guillotine 3 25mm 2 6m location metal effects ltd weleyn garden city the purchaser shall at it s own costs be

[edwards truecut dd mechanical guillotine 2m x 3 25mm](#) - Feb 12 2023

details of a specific machine tool for sale edwards truecut guillotine with photos specification and a way to contact the seller machinery locator com search used machines

**edwards truecut guillotine 1st machinery** - Sep 07 2022

of this edwards true cut guillotine can be taken as competently as picked to act metal construction and british welding journal 1971 includes two special issues per year

[2500mm wide edwards truecut guillotine model 3 5 2500](#) - Apr 14 2023

jul 26 2018 edwards 600 truecut 8 x 14 gauge guillotine shear normanmachinetool 5 7k subscribers subscribe 1 1k views 4 years ago edwards 600 truecut 8 x 14 gauge guillotine shear inventory 7378

**manual for edwards truecut guillotine by** - Nov 09 2022

sep 16 2017 manual for edwards truecut guillotine save this book to read manual for edwards truecut guillotine pdf ebook at our online library get manual for edwards truecut

**edwards true cut guillotine ead3 archivists org** - Jul 17 2023

manufacturer edwards in stock for sale edwards truecut 3metre x 6 5mm hydraulic powered sheet metal guillotine powered back gauge digital readout blade adjustment for different

[wns edwards pearson guillotine hold down pads](#) - Nov 28 2021

[used edwards truecut for sale edwards equipment more](#) - Jun 16 2023

edwards truecut dd direct drive guillotines sometimes marked 600 which just means made when owned by the 600 machine tool group a complete and comprehensive

[manual for edwards truecut guillotine by mary varney issuu](#) - Aug 06 2022

edwards true cut guillotine 3 3 motorized filing machine an unusual and improved milling vice a micrometer stand internal and external chuck stops cross drilling jigs a hand turning rest

[edwards truecut hydraulic powered sheet metal guillotine for](#) - Oct 08 2022

edwards true cut guillotine 1 edwards true cut guillotine as recognized adventure as well as experience practically lesson amusement as competently as covenant can be gotten by just

[edwards true cut guillotine doblespacio uchile cl](#) - Jul 05 2022

edwards tru cut guillotine 1 3 downloaded from uniport edu ng on september 16 2023 by guest edwards tru cut guillotine when people should go to the ebook stores search creation by *edwards truecut dd 3 25 x 2500mm* - Sep 19 2023  
dec 11 2014 new member messages 1 may 2 2013 4 need the wiring diagram for truecut 3 25mm good day i have a difficult situation i was too far away from one of my clients when *how serial killer edward edwards hid his secret for 30 years* - Jan 31 2022

**edwards store lathes co uk** - May 15 2023

2500mm wide edwards trucut guillotine model 3 5 2500 7 5kw motor join our mailing list

edwards 600 truecut 8 x 14 gauge guillotine shear youtube - Mar 13 2023

edwards truecut dd mechanical guillotine 2m x 3 25mm quinn bros edwards truecut dd mechanical guillotinecapacity 2050mm x 3 5mmwith manual back gauge rack amp

edwards truecut dd guillotine 1250mm x 3 25mm gd - Dec 30 2021

**edwards trucut guillotine for sale machinery locator com** - Jan 11 2023

in stock for sale edwards truecut 3metre x 6 5mm hydraulic powered sheet metal guillotine powered back gauge digital readout blade adjustment for different thickness sheet metal

**edwards truecut 600 group 3 25 2500 mig welding forum** - Aug 18 2023

oct 8 2023 title edwards tru cut guillotine pdf ead3 archivists org subject edwards tru cut guillotine pdf created date 10 8 2023 10 49 15 pm

*microeconomics 14th edition etextbook subscription pearson* - Mar 30 2022

web find all the study resources for microeconomics by michael parkin robin bade we have 983 summaries and 16 courses related to this book on our website

**microeconomics 11th edition michael parkin 0133019942 pdf** - Jul 14 2023

web jan 14 2013 thoroughly updated stripped of technical detail where possible extensively illustrated with well chosen photographs enlivened with new applications features that

microeconomics 13th edition pearson - Aug 03 2022

web feb 1 2022 economics principles of microeconomics microeconomics i m a student i m an educator microeconomics 14th edition published by pearson january 31 2022

**microeconomics 9780133021820 economics books** - Sep 23 2021

[microeconomics 11th edition parkin michael](#) - Jun 13 2023

web sep 23 2022 michael parkin emeritus of university of western ontario etextbook 35 99 print 63 99 mylab from 24 99 12 month access etextbook 35 99 buy

**microeconomics 11th edition by parkin michael new** - Oct 05 2022

web jan 10 2018 empower your students in class and beyond meet students where they are with mylab and capture their attention in every lecture activity and assignment using

[microeconomics canada in the global environment canadian](#) - Jul 02 2022

web aug 13 2021 microeconomics canada in the global environment 11th edition published by pearson canada august 13 2021 2022 michael parkin emeritus of

*macroeconomics 9780133020250 economics books* - Aug 23 2021

*microeconomics the world s learning company pearson* - Jan 08 2023

web jan 24 2013 parkin s microeconomics 11th edition pdf is thoroughly updated extensively illustrated with well chosen photographs stripped of technical detail where

[bookmark file microeconomics 11th by parkin edition test bank](#) - Oct 25 2021

web jan 27 2013 macroeconomics rental edition 209 09 only 1 left in stock order soon for the principle of macroeconomics course this book is also suitable for all

**microeconomics michael parkin robin bade studocu** - Jan 28 2022

web solutions for economics 11th edition by michael parkin author isbn13 9780133423921 economics 278139 views 5 1 all 31 chapters covered solved by

[download pdf microeconomics 11th edition by michael](#) - Mar 10 2023

web jul 7 2022 microeconomics 14th edition published by pearson july 7 2022 2023 michael parkin emeritus of university of western ontario

**parkin microeconomics eleventh edition microeconomics** - Sep 04 2022

web microeconomics canada in the global environment canadian edition 11th edition is written by michael parkin robin bade and published by pearson canada the digital

*microeconomics canada in the global environment ebook* - Feb 26 2022

web pdf microeconomics 11th edition by michael parkin if you are looking for microeconomics 11th edition by michael parkin our library is free for you we provide

**global microeconomics files pearsoned de** - Apr 11 2023

web jul 1 2022 simple way to read download microeconomics 11th edition by michael parkin in pdf epub mobi kindle ebook and other supported formats how to read

*microeconomics 11th edition textbook solutions chegg com* - Dec 07 2022

web abebooks com microeconomics 11th edition international edition no supplemental materials international editions may have a different cover or isbn but

**parkin economics 11ed pearson** - Feb 09 2023

web our interactive player makes it easy to find solutions to microeconomics 11th edition problems you re working on just go to the chapter for your book hit a particularly tricky

*microeconomics global edition pearson* - May 12 2023

web microeconomics eleventh edition microeconomics michael parkin parkin eleventh edition global edition this is a special edition of an established title

*pdf economics 11th edition by michael parkin solution* - Dec 27 2021

web sep 8 2023 bookmark file microeconomics 11th by parkin edition test bank free download pdf heritage bafta org author pimlico books at random house subject

**microeconomics 11th edition michael parkin textbooks cc** - Nov 06 2022

web parkin microeconomics eleventh edition microeconomics on amazon com free shipping on qualifying offers parkin microeconomics eleventh edition

**microeconomics canada in the global environment 11th edition** - Apr 30 2022

web this eleventh edition is the first fully digital version of economics canada in the global environment instructors and students will find that although the medium has changed

**microeconomics 9780133019940 economics books** - Aug 15 2023

web microeconomics 11th edition michael parkin 0133019942 pdf google drive

**microeconomics 14th edition pearson** - Jun 01 2022

web jul 7 2022 the 14th edition emphasizes real world applications the development of critical thinking skills diagrams renowned for their pedagogy and clarity and path

**solutions for economics 11th edition scholaron com** - Nov 25 2021

web jan 1 2013 this study guide is very useful for the student using parkin s microeconomics 11th edition each chapter has a review next are the true false