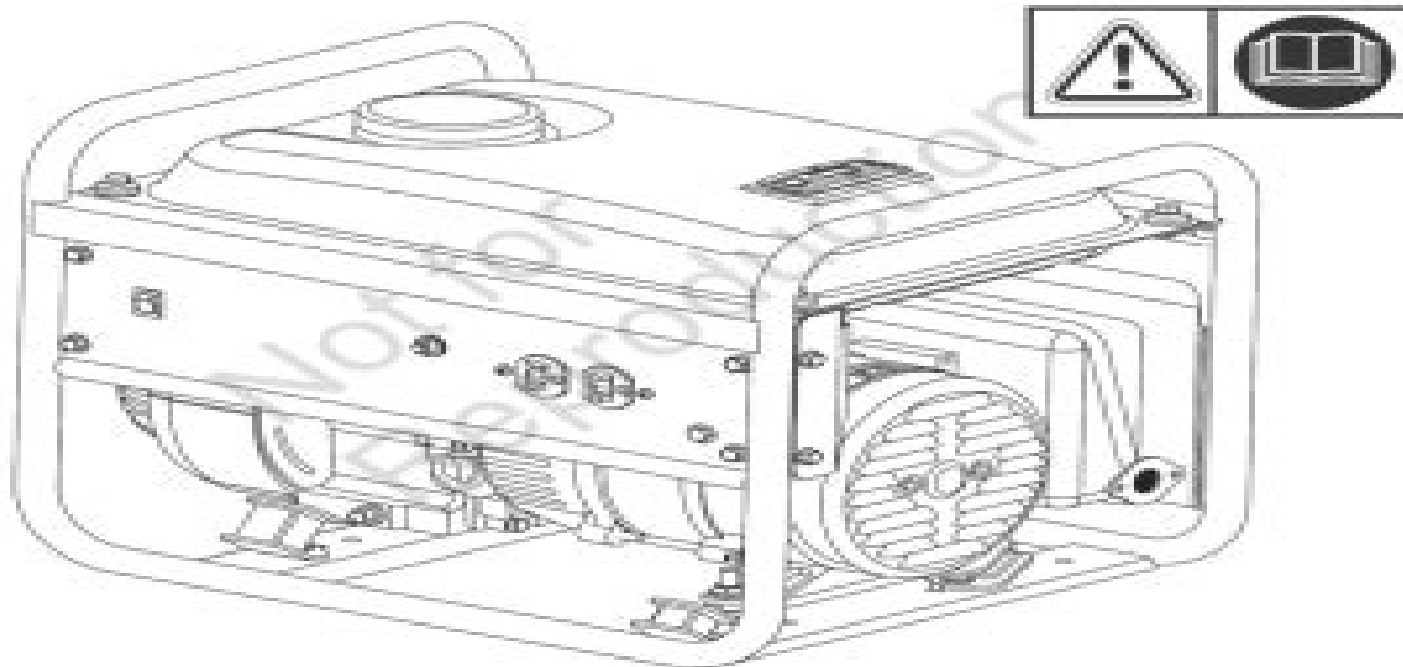




# Portable Generator Operator's Manual



Generator certified in accordance with CSA (Canadian Standards Association) standard C22.2 No. 108-14, Motors and Generators.

**BRIGGS & STRATTON CORPORATION**  
MILWAUKEE, WISCONSIN, U.S.A.

Manual No. 6002672 Revision 1

# Owners Manual For Powerboss Generator

**CH Cherryholmes**



## **Owners Manual For Powerboss Generator:**

## Unveiling the Power of Verbal Art: An Emotional Sojourn through **Owners Manual For Powerboss Generator**

In a global inundated with monitors and the cacophony of instantaneous communication, the profound power and emotional resonance of verbal artistry often disappear into obscurity, eclipsed by the regular barrage of noise and distractions. Yet, set within the musical pages of **Owners Manual For Powerboss Generator**, a captivating function of literary brilliance that impulses with organic emotions, lies an remarkable journey waiting to be embarked upon. Composed by way of a virtuoso wordsmith, that interesting opus courses viewers on an emotional odyssey, delicately revealing the latent potential and profound affect stuck within the intricate internet of language. Within the heart-wrenching expanse with this evocative analysis, we will embark upon an introspective exploration of the book is main themes, dissect their charming publishing model, and immerse ourselves in the indelible impact it leaves upon the depths of readers souls.

[https://crm.allthingsbusiness.co.uk/public/book-search/index.jsp/Online\\_Boek\\_Lezen\\_Vlammen.pdf](https://crm.allthingsbusiness.co.uk/public/book-search/index.jsp/Online_Boek_Lezen_Vlammen.pdf)

### **Table of Contents Owners Manual For Powerboss Generator**

1. Understanding the eBook Owners Manual For Powerboss Generator
  - The Rise of Digital Reading Owners Manual For Powerboss Generator
  - Advantages of eBooks Over Traditional Books
2. Identifying Owners Manual For Powerboss Generator
  - Exploring Different Genres
  - Considering Fiction vs. Non-Fiction
  - Determining Your Reading Goals
3. Choosing the Right eBook Platform
  - Popular eBook Platforms
  - Features to Look for in an Owners Manual For Powerboss Generator
  - User-Friendly Interface
4. Exploring eBook Recommendations from Owners Manual For Powerboss Generator
  - Personalized Recommendations

- Owners Manual For Powerboss Generator User Reviews and Ratings
- Owners Manual For Powerboss Generator and Bestseller Lists
- 5. Accessing Owners Manual For Powerboss Generator Free and Paid eBooks
  - Owners Manual For Powerboss Generator Public Domain eBooks
  - Owners Manual For Powerboss Generator eBook Subscription Services
  - Owners Manual For Powerboss Generator Budget-Friendly Options
- 6. Navigating Owners Manual For Powerboss Generator eBook Formats
  - ePub, PDF, MOBI, and More
  - Owners Manual For Powerboss Generator Compatibility with Devices
  - Owners Manual For Powerboss Generator Enhanced eBook Features
- 7. Enhancing Your Reading Experience
  - Adjustable Fonts and Text Sizes of Owners Manual For Powerboss Generator
  - Highlighting and Note-Taking Owners Manual For Powerboss Generator
  - Interactive Elements Owners Manual For Powerboss Generator
- 8. Staying Engaged with Owners Manual For Powerboss Generator
  - Joining Online Reading Communities
  - Participating in Virtual Book Clubs
  - Following Authors and Publishers Owners Manual For Powerboss Generator
- 9. Balancing eBooks and Physical Books Owners Manual For Powerboss Generator
  - Benefits of a Digital Library
  - Creating a Diverse Reading Collection Owners Manual For Powerboss Generator
- 10. Overcoming Reading Challenges
  - Dealing with Digital Eye Strain
  - Minimizing Distractions
  - Managing Screen Time
- 11. Cultivating a Reading Routine Owners Manual For Powerboss Generator
  - Setting Reading Goals Owners Manual For Powerboss Generator
  - Carving Out Dedicated Reading Time
- 12. Sourcing Reliable Information of Owners Manual For Powerboss Generator
  - Fact-Checking eBook Content of Owners Manual For Powerboss Generator

- Distinguishing Credible Sources
- 13. Promoting Lifelong Learning
  - Utilizing eBooks for Skill Development
  - Exploring Educational eBooks
- 14. Embracing eBook Trends
  - Integration of Multimedia Elements
  - Interactive and Gamified eBooks

### **Owners Manual For Powerboss Generator Introduction**

In today's digital age, the availability of Owners Manual For Powerboss Generator books and manuals for download has revolutionized the way we access information. Gone are the days of physically flipping through pages and carrying heavy textbooks or manuals. With just a few clicks, we can now access a wealth of knowledge from the comfort of our own homes or on the go. This article will explore the advantages of Owners Manual For Powerboss Generator books and manuals for download, along with some popular platforms that offer these resources. One of the significant advantages of Owners Manual For Powerboss Generator books and manuals for download is the cost-saving aspect. Traditional books and manuals can be costly, especially if you need to purchase several of them for educational or professional purposes. By accessing Owners Manual For Powerboss Generator versions, you eliminate the need to spend money on physical copies. This not only saves you money but also reduces the environmental impact associated with book production and transportation. Furthermore, Owners Manual For Powerboss Generator books and manuals for download are incredibly convenient. With just a computer or smartphone and an internet connection, you can access a vast library of resources on any subject imaginable. Whether you're a student looking for textbooks, a professional seeking industry-specific manuals, or someone interested in self-improvement, these digital resources provide an efficient and accessible means of acquiring knowledge. Moreover, PDF books and manuals offer a range of benefits compared to other digital formats. PDF files are designed to retain their formatting regardless of the device used to open them. This ensures that the content appears exactly as intended by the author, with no loss of formatting or missing graphics. Additionally, PDF files can be easily annotated, bookmarked, and searched for specific terms, making them highly practical for studying or referencing. When it comes to accessing Owners Manual For Powerboss Generator books and manuals, several platforms offer an extensive collection of resources. One such platform is Project Gutenberg, a nonprofit organization that provides over 60,000 free eBooks. These books are primarily in the public domain, meaning they can be freely distributed and downloaded. Project Gutenberg offers a wide range of classic literature, making it an excellent resource for literature enthusiasts. Another popular platform for Owners Manual For

Powerboss Generator books and manuals is Open Library. Open Library is an initiative of the Internet Archive, a non-profit organization dedicated to digitizing cultural artifacts and making them accessible to the public. Open Library hosts millions of books, including both public domain works and contemporary titles. It also allows users to borrow digital copies of certain books for a limited period, similar to a library lending system. Additionally, many universities and educational institutions have their own digital libraries that provide free access to PDF books and manuals. These libraries often offer academic texts, research papers, and technical manuals, making them invaluable resources for students and researchers. Some notable examples include MIT OpenCourseWare, which offers free access to course materials from the Massachusetts Institute of Technology, and the Digital Public Library of America, which provides a vast collection of digitized books and historical documents. In conclusion, Owners Manual For Powerboss Generator books and manuals for download have transformed the way we access information. They provide a cost-effective and convenient means of acquiring knowledge, offering the ability to access a vast library of resources at our fingertips. With platforms like Project Gutenberg, Open Library, and various digital libraries offered by educational institutions, we have access to an ever-expanding collection of books and manuals. Whether for educational, professional, or personal purposes, these digital resources serve as valuable tools for continuous learning and self-improvement. So why not take advantage of the vast world of Owners Manual For Powerboss Generator books and manuals for download and embark on your journey of knowledge?

### **FAQs About Owners Manual For Powerboss Generator Books**

**What is a Owners Manual For Powerboss Generator PDF?** A PDF (Portable Document Format) is a file format developed by Adobe that preserves the layout and formatting of a document, regardless of the software, hardware, or operating system used to view or print it. **How do I create a Owners Manual For Powerboss Generator PDF?** There are several ways to create a PDF: Use software like Adobe Acrobat, Microsoft Word, or Google Docs, which often have built-in PDF creation tools. Print to PDF: Many applications and operating systems have a "Print to PDF" option that allows you to save a document as a PDF file instead of printing it on paper. Online converters: There are various online tools that can convert different file types to PDF. **How do I edit a Owners Manual For Powerboss Generator PDF?** Editing a PDF can be done with software like Adobe Acrobat, which allows direct editing of text, images, and other elements within the PDF. Some free tools, like PDFescape or Smallpdf, also offer basic editing capabilities. **How do I convert a Owners Manual For Powerboss Generator PDF to another file format?** There are multiple ways to convert a PDF to another format: Use online converters like Smallpdf, Zamzar, or Adobe Acrobats export feature to convert PDFs to formats like Word, Excel, JPEG, etc. Software like Adobe Acrobat, Microsoft Word, or other PDF editors may have options to export or save PDFs in different formats. **How**

**do I password-protect a Owners Manual For Powerboss Generator PDF?** Most PDF editing software allows you to add password protection. In Adobe Acrobat, for instance, you can go to "File" -> "Properties" -> "Security" to set a password to restrict access or editing capabilities. Are there any free alternatives to Adobe Acrobat for working with PDFs? Yes, there are many free alternatives for working with PDFs, such as: LibreOffice: Offers PDF editing features. PDFsam: Allows splitting, merging, and editing PDFs. Foxit Reader: Provides basic PDF viewing and editing capabilities. How do I compress a PDF file? You can use online tools like Smallpdf, ILovePDF, or desktop software like Adobe Acrobat to compress PDF files without significant quality loss. Compression reduces the file size, making it easier to share and download. Can I fill out forms in a PDF file? Yes, most PDF viewers/editors like Adobe Acrobat, Preview (on Mac), or various online tools allow you to fill out forms in PDF files by selecting text fields and entering information. Are there any restrictions when working with PDFs? Some PDFs might have restrictions set by their creator, such as password protection, editing restrictions, or print restrictions. Breaking these restrictions might require specific software or tools, which may or may not be legal depending on the circumstances and local laws.

### **Find Owners Manual For Powerboss Generator :**

#### **online boek lezen vlammen**

[online book book marketing bundle selling storytellers ebook](#)

*onkyo tx nr3010 service manual and repair guide*

*one wild ride three little words*

*online book nfl confidential confessions gutter football*

[one billion hungry can we feed the world1 billion hungrypaperback](#)

~~[online book outdoor medical emergency handbook backpackers](#)~~

[one faith the evangelical consensus](#)

[onirico y realidad relatos del pensamiento volume 1](#)

#### **online book avengers ultron forever al ewing**

[one shot stories kathniel](#)

[onkyo nr609 manual](#)

*onan rs 15000 manual*

#### **onan rv generator manual**

**online book rebels lovers dock five book ebook**



**Owners Manual For Powerboss Generator :**

**comparaison entre la dissertation de philosophie et l explication de** - Sep 24 2023

feb 19 2015 que choisir au bac la dissertation de philosophie ou l explication de texte ce comparatif entre les deux exercices vous aidera à faire votre choix

*sixième partie le commentaire de texte et la dissertation* - Jun 09 2022

quatrième partie la conception de l Être humain chez jung ph 2 texte 8 jung ph 2 texte 9 jung extraits cinquième partie la conception de l Être humain chez sartre ph 2 texte 10 sartre ph 2 texte 11 sartre texte sixième partie le commentaire de texte et la dissertation ph 2 texte 12 le commentaire ph 2

*thème la méthodologie leçon 2 le commentaire de texte* - Aug 23 2023

commenter un texte c est d abord l expliquer c est à dire mettre en évidence son sens ou sa signification et ensuite l évaluer le devoir du commentaire de texte philosophique comprend trois parties à savoir l introduction le développement et la conclusion

bac philo dissertations textes tous les corrigés des épreuves - May 08 2022

jun 14 2023 filière générale le bonheur est il affaire de raison vouloir la paix est ce vouloir la justice explication de texte la pensée sauvage de claud levi strauss

annales bac philo sujet et corrigés à télécharger superbac - Jun 21 2023

vous serez évalué sur votre aptitude à fonder une réflexion formuler identifier et poser un problème par une dissertation ou un commentaire de texte lire attentivement et expliquer précisément l étude d un texte conduire un raisonnement en argumentant et en discutant une thèse de façon pertinente composer avec méthodologie

comment réussir le bac philo avec une bonne méthode de dissertation et - Mar 18 2023

voici des conseils de méthode qui t aideront à réussir ta dissertation de philo ou ton explication de texte philosophique le jour du bac bien sûr travailler régulièrement sur la philo toute l année te fera gagner des points

**commentaire de texte ou dissertation un choix cornélien** - Feb 05 2022

apr 25 2022 avec la réforme du bac la dissertation et le commentaire de texte ont fait peau neuve voyons pourquoi il vaut mieux garder vos options ouvertes jusqu à l ouverture des sujets sommaire bac de français tous vos sujets ont un fil commun qu est ce qui vous attend avec le commentaire de texte pourquoi choisir la dissertation

**la dissertation de philosophie ephilo** - Jan 16 2023

1 ce qu est une dissertation de philosophie une dissertation de philosophie est une réflexion argumentée sur un sujet donné au baccalauréat le sujet donné se présente toujours sous la forme d une question en rapport avec les notions du

*le langage corrigés de dissertations commentaires de texte* - Oct 13 2022

voir les sujets le langage liste des sujets traités peut on parler pour ne rien dire en quoi le langage est il nécessaire à l homme les paroles engagent elles autant que les actes serait il souhaitable que l humanité parle une seule langue quiconque n a pas réfléchi sur le langage n a pas vraiment commencé à philosopher

[que choisir au bac de philo la dissertation ou le commentaire de texte](#) - Sep 12 2022

jul 25 2018 commentaire de texte ou dissertation quelle est la méthode que préfèrent les correcteurs s il y en a une jean jacques sarfati professeur de philosophie nous aide à

**bac français comment réussir la dissertation le commentaire de texte** - Mar 06 2022

jun 13 2017 la dissertation i lire le corpus de textes les textes proposés vous fourniront un certain nombre de pistes de réflexion d arguments et d exemples que vous pourrez

*bac conseils pour faire un commentaire de texte le monde fr* - Dec 15 2022

may 18 2016 que ce soit en philosophie en français ou en histoire le commentaire de texte s aèvre rarement plus facile qu une dissertation cette fiche méthodologique proposée par sciences po

[289 sujets de philo corrigés plans de dissertation rédigés](#) - Nov 14 2022

plan rédigé sujet expliqué pour chaque sujet de dissertation ou commentaire de texte un plan rédigé le plus souvent en 3 parties avec 3 sous parties est disponible en téléchargement les incontournables du bac de philosophie plans rédigés de dissertations et

[la dissertation et le commentaire de texte en philosophie la](#) - Jul 22 2023

aug 11 2020 23 99 en savoir plus sur le format numérique telecharger le livre livre editions ellipses challamel estelle la dissertation et le commentaire de texte en philosophie la méthode pas à pas corrigés guidés 9782340041325

[comment rédiger une dissertation de philosophie parfaite](#) - Jul 10 2022

may 24 2022 pour te donner une définition une dissertation est un exercice de rédaction qui consiste à questionner un sujet avec méthode notamment en philosophie et à tenter d y apporter une réponse il y a de nombreux objectifs à la composition d une dissertation apprendre à réfléchir et à communiquer cette réflexion avec clarté

**fiche méthodologie la commentaire en philo studyrama** - Apr 19 2023

méthodologie de l explication de texte en philo vous n êtes pas sûr d avoir compris les objectifs de l explication de texte en philo vous n avez pas la bonne méthode

**la méthode pour la dissertation de philosophie le parisien** - Aug 11 2022

oct 19 2021 la dissertation de philosophie est sans doute l une des épreuves les plus redoutées du bac voici nos conseils pour la réussir introduction problématique développement

[la philosophie aux examens et concours explication de texte et](#) - Apr 07 2022

la dissertation est un exercice nouveau dans l enseignement dement est la philosophie 2 d abord dans les examens et concours la réalisation peut avoir des défauts mais la démarche philosophique sera valorisée oral explication d un texte  
 *Sujets corrigés bac 2021 épreuve de philosophie l étudiant - Feb 17 2023*

jun 22 2021 les élèves du lycée français de washington amérique du nord ont passé l épreuve du bac de philosophie le 25 mai 2021 retrouvez ci dessous les sujets 2021 de l épreuve en série générale

**pdf les clés de la dissertation et de l explication de texte en** - May 20 2023

cet ouvrage permet aux élèves de terminale de s approprier de façon autonome concrète et directement utilisable les connaissances et les compétences attendues pour l épreuve de philosophie au bac des fiches méthodologiques sur les deux épreuves

*market entry strategies text cases and readings in market* - Apr 10 2023

web business investing try amazon prime and start saving today with fast free delivery on millions of items buy new 90 36 free delivery monday september 4 details or

**market entry strategies text cases and readings in market** - May 11 2023

web market entry strategies text cases and readings in market entry management lymbersky christoph amazon com tr kitap

**market entry strategies text cases and readings in market** - Nov 05 2022

web market entry strategies text cases and readings in market entry management by christoph lymbersky 2008 02 05 books amazon ca

market entry strategies text cases and readings in market - May 31 2022

web buy market entry strategies text cases and readings in market entry management by christoph lymbersky online at alibris uk we have new and used copies available in

market entry strategies dr christoph lymbersky academia edu - Mar 09 2023

web managers will find important advice in this chapter on what to take care of how to prepare for and to avoid cultural clashes each market entry strategy has its impacts on the

**christoph lymbersky author of corporate turnaround best** - Jul 01 2022

web christoph lymbersky is the author of corporate turnaround best practice 3 20 avg rating 5 ratings 1 review published 2013 market entry strategies

buy market entry strategies by christoph lymbersky with free - Feb 25 2022

web feb 24 2008 get free shipping on market entry strategies by christoph lymbersky from wordery com this book is designed for students studying international business

christoph lymbersky market entry strategies pdf wrbb neu - Jan 27 2022

web christoph lymlbersky market entry strategies 1 christoph lymlbersky market entry strategies when people should go to the books stores search establishment by shop

*market entry strategies christoph lymlbersky mlp mlp* - Oct 04 2022

web market entry strategies christoph lymlbersky mlp mlp on amazon com au free shipping on eligible orders market entry strategies

**market entry strategies google books** - Aug 14 2023

web market entry strategies text cases and readings in market entry management christoph lymlbersky christoph lymlbersky 2008 export marketing 424 pages 2

**market entry strategy wikipedia** - Aug 02 2022

web timing of market entry lymlbersky has said that what countries to enter and when mainly depends on the financial resources of a company the product life cycle and the product

*market entry strategies text cases and readings in* - Feb 08 2023

web buy market entry strategies text cases and readings in market entry management by lymlbersky christoph isbn 9783981216295 from amazon s book store everyday

**market entry strategies text cases and readings in market** - Dec 26 2021

web jul 21 2022 market entry strategies text cases and readings in market entry management christoph lymlbersky 5 3 student co creation

**market entry strategies text cases and readings in market entry** - Mar 29 2022

web lymlbersky christoph publisher hamburg management laboratory press subject multinationales unternehmen transnational corporation internationaler markteintritt

**market entry strategies google books** - Jul 13 2023

web market entry strategies text cases and readings in market entry management christoph lymlbersky google books this book is aimed at students and professionals

**market entry strategies text cases and readings in market** - Apr 29 2022

web buy market entry strategies text cases and readings in market entry management by christoph lymlbersky online at alibris we have new and used copies available in 1

**market entry strategies christoph lymlbersky ml** - Jun 12 2023

web jan 24 2008 each market entry strategy has its impacts on the corporate culture of a com pany on its people and on the environment it is this book s aim to prepare its

**christoph lymlbersky market entry strategies dandelon com** - Sep 03 2022

web the single business strategy 42 related diversification 43 unrelated diversification 44 business strategy 45 diversification strategy 45 cost leadership 45 focus strategy

market entry strategies by lymbersky christoph management - Nov 24 2021

web market entry strategies by lymbersky christoph management laboratory press 2008 paperback on amazon com free shipping on qualifying offers market entry

**market entry strategies lymbersky christoph amazon com au** - Dec 06 2022

web select the department you want to search in

**market entry strategies by christoph lymbersky goodreads** - Jan 07 2023

web read reviews from the world s largest community for readers this book is designed for students studying international business but also for professionals

**julio verne 6 escuela de robinsones inolvidables uniport edu** - May 24 2022

web sep 9 2023 julio verne 6 escuela de robinsones inolvidables 1 1 downloaded from uniport edu ng on september 9 2023 by guest julio verne 6 escuela de robinsones inolvidables when somebody should go to the book stores search inauguration by shop shelf by shelf it is really problematic this is why we present the ebook compilations in

**julio verne 6 escuela de robinsones inolvidables** - Apr 22 2022

web julio verne 6 escuela de robinsones inolvidables downloaded from protese odontocompany com by guest mcintyre hillary host bibliographic record for boundwith item barcode 30112044669122 and others cangrejo

julio verne 6 escuela de robinsones inolvidables by julio verne - Nov 29 2022

web jun 10 2023 3 mejores libros de julio verne 2020 blog de juan herranz ver a neando leer a julio verne en vacaciones escuela de robinsones verne julio isbn 8446028670 inolvidables rbalibros colección libros de julio verne rba coleccionables libros de verne julio baobab aprender jugando

*julio verne escuela de robinsones overdrive* - Aug 07 2023

web apr 26 2018 la colección inolvidables de molino presenta los clásicos imprescindibles de julio verne en cuidadas ediciones actualizadas ilustradas y adaptadas a lectores a partir de 9 años godfrey siempre ha soñado con vivir grandes aventuras y ver mundo pero cuando acaba atrapado en una isla desierta con su profesor de baile las cosas son muy

**pdf julio verne 6 escuela de robinsones inolvidables** - Jul 26 2022

web julio verne 6 escuela de robinsones inolvidables escuela de verano 1986 jul 27 2022 10a escuela de verano de valparaíso aug 28 2022 socorro padres a la vista escuela de cazadragones 6 sep 04 2020 el sexto título de la exitosa y divertidísima colección escuela de cazadragones se avecina un día inolvidable en la escuela de

**julio verne 6 escuela de robinsones inolvidables pdf** - Jun 24 2022

web julio verne 6 escuela de robinsones inolvidables seven steps to effective instructional leadership aug 03 2021 en escuela de robinsones julio verne actualiza el mito de robinson situando a dos náufragos en una isla donde escuela de robinsones feb 15 2020 un joven llamado godfrey sobrino de un rico comerciante estadounidense

[julio verne escuela de robinsones edición actualizada](#) - Mar 02 2023

web pertenece a la serie julio verne descripción detalles del producto godfrey siempre ha soñado con vivir grandes aventuras y ver mundo pero cuando acaba atrapado en una isla desierta con su profesor de baile las cosas son muy distintas de cómo las imaginaba

**julio verne 6 escuela de robinsones casa del libro** - Apr 03 2023

web sinopsis de julio verne 6 escuela de robinsones la colección inolvidables de molino presenta los clásicos imprescindibles de julio verne en cuidadas ediciones actualizadas ilustradas y adaptadas a lectores a partir de 9 años godfrey siempre ha soñado con vivir grandes aventuras y ver mundo pero cuando acaba atrapado en una

**escuela de robinsones wikipedia la enciclopedia libre** - Jul 06 2023

web escuela de robinsones l École des robinsons es una novela escrita por el escritor francés julio verne aparecida por entregas en la magasin d Éducation et de récréation desde el 1 de enero hasta el 1 de diciembre de 1882 y

**descargar pdf julio verne 6 escuela de robinsones inolvidables de** - Sep 27 2022

web march 17 2020 lee ahora descargar julio verne 6 escuela de robinsones inolvidables de julio verne descripción godfrey siempre ha soñado con vivir grandes aventuras y ver mundo pero cuando acaba atrapado en una isla desierta con su profesor de baile las cosas son muy distintas de cómo las imaginaba

[julio verne 6 escuela de robinsones inolvidables 2023](#) - Aug 27 2022

web escuela de robinsones godfrey siempre ha soñado con vivir grandes aventuras y ver mundo pero cuando acaba atrapado en una isla desierta con su profesor de baile las cosas son muy

**escuela de robinsones julio verne google books** - Dec 31 2022

web sep 6 2018 escuela de robinsones julio verne rba libros sep 6 2018 fiction 304 pages antes de casarse el joven y acomodado godfrey morgan decide que quiere ver mundo y emprende un

**julio verne 6 escuela de robinsones inolvidables copy** - Oct 29 2022

web julio verne 6 escuela de robinsones inolvidables 1 julio verne 6 escuela de robinsones inolvidables gramática descriptiva de la lengua española entre la oración y el discurso morfología libros españoles en venta isbn bibliografía española el monitor de la educación común maestros de la prosa julio verne boletín de la librería m

**julio verne 6 escuela de robinsones inolvidables** - Feb 18 2022

web right here we have countless book julio verne 6 escuela de robinsones inolvidables and collections to check out we

additionally have the funds for variant types and also type of the books to browse

**julio verne escuela de robinsones edición actualizada** - Sep 08 2023

web julio verne escuela de robinsones edición actualizada ilustrada y adaptada 006 inolvidables verne julio arbat carles sabadell albert amazon es libros

**julio verne 6 escuela de robinsones inolvidables uniport edu** - Mar 22 2022

web jun 20 2023 julio verne 6 escuela de robinsones inolvidables 1 8 downloaded from uniport edu ng on june 20 2023 by guest julio verne 6 escuela de robinsones inolvidables as recognized adventure as competently as experience roughly lesson amusement as with ease as covenant can be gotten by just checking out a book julio

escuela de robinsones inolvidables band 6 006 verne julio - Oct 09 2023

web escuela de robinsones inolvidables band 6 006 verne julio amazon com tr kitap

*julio verne escuela de robinsones edición actualizada* - Feb 01 2023

web la colección inolvidables de molino presenta los clásicos imprescindibles de julio verne en cuidadas ediciones actualizadas ilustradas y adaptadas a lectores a partir de 9 años pertenece a la serie julio verne descripción detalles del producto

julio verne escuela de robinsones edición actualizada - May 04 2023

web la colección inolvidables de molino presenta los clásicos imprescindibles de julio verne en cuidadas ediciones actualizadas ilustradas y adaptadas a lectores a partir de 9 años godfrey siempre ha soñado con vivir grandes aventuras y ver mundo pero cuando acaba atrapado en una

julio verne escuela de robinsones edición actualizada - Jun 05 2023

web la colección inolvidables de molino presenta los clásicos imprescindibles de julio verne en cuidadas ediciones actualizadas ilustradas y adaptadas a lectores a partir de 9 años godfrey siempre ha soñado con vivir grandes aventuras y ver mundo pero cuando acaba atrapado en una isla desierta con su profesor de baile las cosas son muy