

ENGINE MECHANICAL - EM

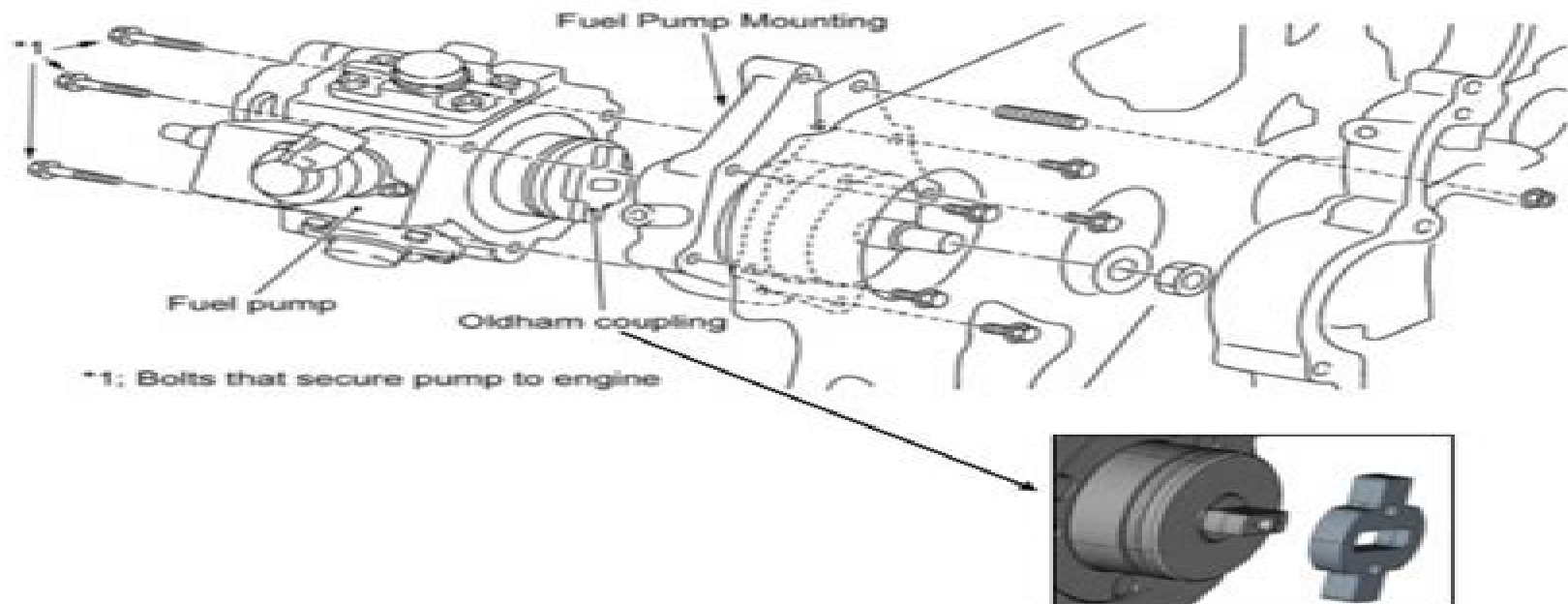
ZD30DDTi Fuel Pump Removal

Refer to section EC of the Service Manual for the removing & re-installing the Fuel Pump procedure. The new pump is now much simpler to remove & re-install than the previous VP44 unit.

The procedure involves the disconnection of the fuel lines & electrical plug. The pump is attached to the engine with 3 x forward facing bolts. The pump simply detaches from the engine **without** the need to remove any timing gears etc.

NOTE: When removing the Fuel Pump, there is **NO NEED** to remove the bolts located behind the pump drive gear. Only remove the bolts marked *1 in the diagram and the pump is removed rearwards.

The other bolts shown attached the pump mounting / drive unit to the engine & they can only be accessed by 1st removing the front timing chain / gear cover & fuel pump drive gear.



Nissan Engine Zd30 Manuals Format

Nissan Jidōsha Kabushiki Kaisha



Nissan Engine Zd30 Manuals Format:

Nissan Engine, Model P Nissan Jidōsha Kabushiki Kaisha,196? Covers the engine used in the 60 series automobiles

Nissan Patrol 1998 to 2009 Vehicle Repair Manual Max Ellery,2009-12-15 Nissan Patrol 1998 to 2009 Diesel and Petrol Gasoline Engines including Turbo with World Wide Spec s This manual has over 500 pages It has step by step instructions in every chapter Covering both model produced the Station Wagons and tray models Engine chapters The book covers all diesel engines RD28 TD42 and ZD30 including the common rail engine turbocharged engines are covered All petrol gasoline engines TB42 TB45 and TB48 the TB42 was an option in some countries in the first few years of production Chapters are full of step by step instructions plus plenty of photographs and line illustrations to give the reader explicit detail suitable for everyone regardless of whether you require minor engine work or a major rebuild *Nissan Patrol 1998 to 2009 Vehicle Repair Manual* Max Ellery,2009-12-15 Nissan Patrol 1998 to 2009 Diesel and Petrol Gasoline Engines including Turbo with World Wide Spec s This manual has over 500 pages It has step by step instructions in every chapter Covering both model produced the Station Wagons and tray models Engine chapters The book covers all diesel engines RD28 TD42 and ZD30 including the common rail engine turbocharged engines are covered All petrol gasoline engines TB42 TB45 and TB48 the TB42 was an option in some countries in the first few years of production Chapters are full of step by step instructions plus plenty of photographs and line illustrations to give the reader explicit detail suitable for everyone regardless of whether you require minor engine work or a major rebuild **Nissan Model TD Series Diesel Engine** ,1989 **Nissan Patrol** Motor Co. Ltd Nissan,1977 **Service Manual** Motor Co. Ltd Nissan,1979 **Service Manual Model L23 Engine** Motor Co. Ltd Nissan,1975 **Service Manual** ,1969* Covers the engines used in some Bluebirds 510s 610s and 710s **Service Manual, Model A10 & A12 Engine** Nissan Jidōsha Kabushiki Kaisha,1970 Nissan Service Manual ,1972 **Nissan Model R 30 Series: Service manual** Nissan Motor Company,1983 **Service Manual** Nissan Jidōsha Kabushiki Kaisha,1971 Nissan Model 160 & 61 Series Nissan Motor Co., Ltd,1980 *Nissan Model 910 Series Service Manual* Nissan Motor Co., Ltd,1980 **Nissan Datsun Service Manual Model SD22 and SD33 Diesel Engine** ,1980 Nissan Model L13,L16 and L20 Engine Service Manual ,197? Nissan R33 Engine Service Manual JPNZ (Firm),2002-01-01 **Nissan Diesel Engine Repair Manual Model UD63** ,1976* *Nissan Owners Workshop Manual* Peter G. Strasman,1986 *Service Manual* ,1972 Cover the engines used in 240Zs and 2000 roadsters

Whispering the Strategies of Language: An Mental Quest through **Nissan Engine Zd30 Manuals Format**

In a digitally-driven world wherever displays reign supreme and quick communication drowns out the subtleties of language, the profound secrets and emotional nuances hidden within words usually go unheard. However, nestled within the pages of **Nissan Engine Zd30 Manuals Format** a captivating literary value blinking with fresh feelings, lies an extraordinary quest waiting to be undertaken. Penned by an experienced wordsmith, that enchanting opus encourages viewers on an introspective trip, gently unraveling the veiled truths and profound impact resonating within the cloth of each word. Within the emotional depths of the touching review, we shall embark upon a heartfelt exploration of the book is key subjects, dissect their captivating publishing model, and yield to the powerful resonance it evokes heavy within the recesses of readers hearts.

https://crm.allthingsbusiness.co.uk/About/browse/Download_PDFS/productivity%20hacks%20comparison%20update.pdf

Table of Contents Nissan Engine Zd30 Manuals Format

1. Understanding the eBook Nissan Engine Zd30 Manuals Format
 - The Rise of Digital Reading Nissan Engine Zd30 Manuals Format
 - Advantages of eBooks Over Traditional Books
2. Identifying Nissan Engine Zd30 Manuals Format
 - Exploring Different Genres
 - Considering Fiction vs. Non-Fiction
 - Determining Your Reading Goals
3. Choosing the Right eBook Platform
 - Popular eBook Platforms
 - Features to Look for in an Nissan Engine Zd30 Manuals Format
 - User-Friendly Interface
4. Exploring eBook Recommendations from Nissan Engine Zd30 Manuals Format
 - Personalized Recommendations
 - Nissan Engine Zd30 Manuals Format User Reviews and Ratings

- Nissan Engine Zd30 Manuals Format and Bestseller Lists
- 5. Accessing Nissan Engine Zd30 Manuals Format Free and Paid eBooks
 - Nissan Engine Zd30 Manuals Format Public Domain eBooks
 - Nissan Engine Zd30 Manuals Format eBook Subscription Services
 - Nissan Engine Zd30 Manuals Format Budget-Friendly Options
- 6. Navigating Nissan Engine Zd30 Manuals Format eBook Formats
 - ePub, PDF, MOBI, and More
 - Nissan Engine Zd30 Manuals Format Compatibility with Devices
 - Nissan Engine Zd30 Manuals Format Enhanced eBook Features
- 7. Enhancing Your Reading Experience
 - Adjustable Fonts and Text Sizes of Nissan Engine Zd30 Manuals Format
 - Highlighting and Note-Taking Nissan Engine Zd30 Manuals Format
 - Interactive Elements Nissan Engine Zd30 Manuals Format
- 8. Staying Engaged with Nissan Engine Zd30 Manuals Format
 - Joining Online Reading Communities
 - Participating in Virtual Book Clubs
 - Following Authors and Publishers Nissan Engine Zd30 Manuals Format
- 9. Balancing eBooks and Physical Books Nissan Engine Zd30 Manuals Format
 - Benefits of a Digital Library
 - Creating a Diverse Reading Collection Nissan Engine Zd30 Manuals Format
- 10. Overcoming Reading Challenges
 - Dealing with Digital Eye Strain
 - Minimizing Distractions
 - Managing Screen Time
- 11. Cultivating a Reading Routine Nissan Engine Zd30 Manuals Format
 - Setting Reading Goals Nissan Engine Zd30 Manuals Format
 - Carving Out Dedicated Reading Time
- 12. Sourcing Reliable Information of Nissan Engine Zd30 Manuals Format
 - Fact-Checking eBook Content of Nissan Engine Zd30 Manuals Format
 - Distinguishing Credible Sources

13. Promoting Lifelong Learning
 - Utilizing eBooks for Skill Development
 - Exploring Educational eBooks
14. Embracing eBook Trends
 - Integration of Multimedia Elements
 - Interactive and Gamified eBooks

Nissan Engine Zd30 Manuals Format Introduction

Nissan Engine Zd30 Manuals Format Offers over 60,000 free eBooks, including many classics that are in the public domain. Open Library: Provides access to over 1 million free eBooks, including classic literature and contemporary works. Nissan Engine Zd30 Manuals Format Offers a vast collection of books, some of which are available for free as PDF downloads, particularly older books in the public domain. Nissan Engine Zd30 Manuals Format : This website hosts a vast collection of scientific articles, books, and textbooks. While it operates in a legal gray area due to copyright issues, its a popular resource for finding various publications. Internet Archive for Nissan Engine Zd30 Manuals Format : Has an extensive collection of digital content, including books, articles, videos, and more. It has a massive library of free downloadable books. Free-eBooks Nissan Engine Zd30 Manuals Format Offers a diverse range of free eBooks across various genres. Nissan Engine Zd30 Manuals Format Focuses mainly on educational books, textbooks, and business books. It offers free PDF downloads for educational purposes. Nissan Engine Zd30 Manuals Format Provides a large selection of free eBooks in different genres, which are available for download in various formats, including PDF. Finding specific Nissan Engine Zd30 Manuals Format, especially related to Nissan Engine Zd30 Manuals Format, might be challenging as theyre often artistic creations rather than practical blueprints. However, you can explore the following steps to search for or create your own Online Searches: Look for websites, forums, or blogs dedicated to Nissan Engine Zd30 Manuals Format, Sometimes enthusiasts share their designs or concepts in PDF format. Books and Magazines Some Nissan Engine Zd30 Manuals Format books or magazines might include. Look for these in online stores or libraries. Remember that while Nissan Engine Zd30 Manuals Format, sharing copyrighted material without permission is not legal. Always ensure youre either creating your own or obtaining them from legitimate sources that allow sharing and downloading. Library Check if your local library offers eBook lending services. Many libraries have digital catalogs where you can borrow Nissan Engine Zd30 Manuals Format eBooks for free, including popular titles. Online Retailers: Websites like Amazon, Google Books, or Apple Books often sell eBooks. Sometimes, authors or publishers offer promotions or free periods for certain books. Authors Website Occasionally, authors provide excerpts or short stories for free on their websites. While this might not be the Nissan Engine Zd30 Manuals Format full book , it can give you

a taste of the authors writing style. Subscription Services Platforms like Kindle Unlimited or Scribd offer subscription-based access to a wide range of Nissan Engine Zd30 Manuals Format eBooks, including some popular titles.

FAQs About Nissan Engine Zd30 Manuals Format Books

How do I know which eBook platform is the best for me? Finding the best eBook platform depends on your reading preferences and device compatibility. Research different platforms, read user reviews, and explore their features before making a choice. Are free eBooks of good quality? Yes, many reputable platforms offer high-quality free eBooks, including classics and public domain works. However, make sure to verify the source to ensure the eBook credibility. Can I read eBooks without an eReader? Absolutely! Most eBook platforms offer webbased readers or mobile apps that allow you to read eBooks on your computer, tablet, or smartphone. How do I avoid digital eye strain while reading eBooks? To prevent digital eye strain, take regular breaks, adjust the font size and background color, and ensure proper lighting while reading eBooks. What the advantage of interactive eBooks? Interactive eBooks incorporate multimedia elements, quizzes, and activities, enhancing the reader engagement and providing a more immersive learning experience. Nissan Engine Zd30 Manuals Format is one of the best book in our library for free trial. We provide copy of Nissan Engine Zd30 Manuals Format in digital format, so the resources that you find are reliable. There are also many Ebooks of related with Nissan Engine Zd30 Manuals Format. Where to download Nissan Engine Zd30 Manuals Format online for free? Are you looking for Nissan Engine Zd30 Manuals Format PDF? This is definitely going to save you time and cash in something you should think about. If you trying to find then search around for online. Without a doubt there are numerous these available and many of them have the freedom. However without doubt you receive whatever you purchase. An alternate way to get ideas is always to check another Nissan Engine Zd30 Manuals Format. This method for see exactly what may be included and adopt these ideas to your book. This site will almost certainly help you save time and effort, money and stress. If you are looking for free books then you really should consider finding to assist you try this. Several of Nissan Engine Zd30 Manuals Format are for sale to free while some are payable. If you arent sure if the books you would like to download works with for usage along with your computer, it is possible to download free trials. The free guides make it easy for someone to free access online library for download books to your device. You can get free download on free trial for lots of books categories. Our library is the biggest of these that have literally hundreds of thousands of different products categories represented. You will also see that there are specific sites catered to different product types or categories, brands or niches related with Nissan Engine Zd30 Manuals Format. So depending on what exactly you are searching, you will be able to choose e books to suit your own need. Need to access completely for Campbell Biology Seventh Edition book? Access Ebook without any digging. And by having access to our

ebook online or by storing it on your computer, you have convenient answers with Nissan Engine Zd30 Manuals Format To get started finding Nissan Engine Zd30 Manuals Format, you are right to find our website which has a comprehensive collection of books online. Our library is the biggest of these that have literally hundreds of thousands of different products represented. You will also see that there are specific sites catered to different categories or niches related with Nissan Engine Zd30 Manuals Format So depending on what exactly you are searching, you will be able to choose ebook to suit your own need. Thank you for reading Nissan Engine Zd30 Manuals Format. Maybe you have knowledge that, people have search numerous times for their favorite readings like this Nissan Engine Zd30 Manuals Format, but end up in harmful downloads. Rather than reading a good book with a cup of coffee in the afternoon, instead they juggled with some harmful bugs inside their laptop. Nissan Engine Zd30 Manuals Format is available in our book collection an online access to it is set as public so you can download it instantly. Our digital library spans in multiple locations, allowing you to get the most less latency time to download any of our books like this one. Merely said, Nissan Engine Zd30 Manuals Format is universally compatible with any devices to read.

Find Nissan Engine Zd30 Manuals Format :

[productivity hacks comparison update](#)

how to focus apps free

best side hustles online benefits

remote work setup guide near me

~~digital productivity tools best~~

remote work setup best ideas

~~asynchronous work new~~

ai productivity tools alternatives near me

focus apps trending tips

[best digital productivity tools best](#)

[remote team building worth it near me](#)

ai productivity tools for beginners

[home office ergonomics how to near me](#)

best project management tools codes

[project management tools benefits for beginners](#)

Nissan Engine Zd30 Manuals Format :

Josephine Baker the Black Artist Civil Rights Activist and Spy - Feb 07 2023

web dec 1 2021 us born Josephine Baker wore many hats entertainer anti Nazi spy and civil rights activist on Tuesday the pioneer posthumously added to her list of achievements when she was inducted into

Josephine Baker Wikipedia - Oct 15 2023

web Freda Josephine Baker née McDonald June 3 1906 April 12 1975 naturalised as Joséphine Baker was an American born French dancer singer and actress her career was centered primarily in Europe mostly in France

Josephine Baker National Women's History Museum - Aug 13 2023

web World renowned performer World War II spy and activist are few of the titles used to describe Josephine Baker one of the most successful African American performers in French history Baker's career illustrates the ways entertainers can use their platforms to change the world

Josephine Baker's Daring Double Life as a World War II Spy - Jun 11 2023

web Mar 15 2021 Josephine Baker c 1945 Baker started her espionage career by attending diplomatic parties at the Italian and Japanese embassies and gathering intelligence about the Axis powers possibly

Josephine Baker Children Death Facts Biography - Jul 12 2023

web Apr 2 2014 Josephine Baker was a dancer and singer who became wildly popular in France during the 1920s she also devoted much of her life to fighting racism updated Jun 7 2021 Getty Images 1906 1975

Josephine Baker Biography IMDb - Jan 06 2023

web Josephine Baker actress Zou Zou Josephine Baker was born Freda Josephine McDonald in St Louis MO in 1906 to Carrie McDonald a laundress and Eddie Carson a musician her early life hinted at her future career she first danced for the public on the streets of St Louis for nickels and dimes later she became a chorus girl on the St

Josephine Baker IMDb - Mar 08 2023

web Josephine Baker 1906 1975 actress music department soundtrack IMDb Pro Starmeter see rank play trailer 2 21 Carmen and Geoffrey 2005 1 video 76 photos Josephine Baker was born Freda Josephine McDonald in St Louis MO in 1906 to Carrie McDonald a laundress and Eddie Carson a musician her early life hinted at her future career

Josephine Baker the Stage Sensation who became a WWII Spy - Apr 09 2023

web Sep 26 2022 The life of Josephine Baker is a dazzling rags to riches story of a musical icon stage sensation and heroine of the French Resistance who took 20th century Europe by storm think Janelle Monáe

Josephine Baker a Life in Pictures British Vogue - May 10 2023

web Jun 4 2018 Getty Images 1 13 Josephine Baker working at her own bar in Paris Shutterstock 2 13 Baker wearing her

iconic banana skirt onstage getty images 3 13 baker with her pet cheetah whom she named chiquita getty images 4 13 baker in paris during the ceremony of the free commune of la folle butte alamy 5 13

josephine baker biography children movies banana skirt - Sep 14 2023

web nov 7 2023 josephine baker american born french dancer and singer who symbolized the beauty and vitality of black american culture which took paris by storm in the 1920s she was one of the most popular music hall entertainers in france and was also known for her work with the french resistance during world war ii

acca f6 bpp study text 2014 pdf uniport edu - May 04 2023

web acca f6 bpp study text 2014 1 5 downloaded from uniport edu ng on may 8 2023 by guest acca f6 bpp study text 2014 recognizing the pretension ways to acquire this books

acca p6 bpp study text 2014 bpp learning media copy - May 24 2022

web acca p6 advanced taxation fa2014 bpp learning media 2014 12 13 bpp learning media s status as official acca approved learning provider content means our acca

prepare to pass acca global - Jan 20 2022

web a look at the bpp english language support for acca which is a free online programme specifically designed to support you through your exams getting started tips for

f6 bpp study text acca globalbox - Oct 09 2023

you are introduced to the rationale behind and the functions of the tax system the syllabus then considers the separate taxes that an accountant would want to have a distinctive understanding of such as income tax from self employment employment and investments the employer corporation see more

bpp acca f 6 study text 2014 pdf uniport edu - Oct 29 2022

web bpp acca f 6 study text 2014 1 5 downloaded from uniport edu ng on july 2 2023 by guest bpp acca f 6 study text 2014 yeah reviewing a ebook bpp acca f 6 study text

pdf acca f6 study text by bpp deejay vinesh - Sep 08 2023

all questions are obligatory so you should revise the complete syllabus since the exam includes 15 objective tests questions in section a and 15 objective test questions in section b you should expect questions to cover a see more

acca f6 taxation fa2014 study text amazon com - Jun 05 2023

web acca f6 taxation fa2014 study text bpp learning media on amazon com free shipping on qualifying offers acca f6 taxation fa2014 study text

p6 bpp study text acca globalbox - Sep 27 2022

web studying p6 as the name suggests this paper examines advanced taxation it builds on the foundations of paper f6 in two

ways first it introduces more advanced taxation

f7 bpp study text acca globalbox - Jul 26 2022

web f7 financial reporting fr is a demanding paper overlaying all the fundamentals of financial reporting it has five main sections the conceptual framework of accounting

f6 acca 2014 study text pdf 2023 support ortax - Aug 27 2022

web acca f6 taxation fa2014 bpp learning media 2014 12 02 acca f6 taxation fa2013 association of chartered certified accountants great britain 2013 12 01 bpp learning

acca f7 bpp study text opentuition - Apr 22 2022

web jan 29 2016 acca f7 bpp study text i have the bpp study text for f7 which says for exams upto june 2015 can i please know if its alright to use the same text for march

f4 bpp study text global acca globalbox - Mar 22 2022

web 1 what f4 corporate and business law cl lw is about the main aims of the f4 corporate and business law cl lw exam are to improve information and capabilities

f6 bpp exam tips acca june 2014 pdf stage gapinc - Dec 31 2022

web bpp learning media s status as official acca approved learning provider content means our acca study texts and practice revision kits are reviewed by the acca

pdf acca f6 bpp study text 2014 - Jul 06 2023

web the examining team reviewed f6 study text covers all the relevant acca f6 syllabus topics computations are the most important part of this paper so there are plenty of

f6 acca study text 2014 pdf pdf algoritmi pybossa - Feb 01 2023

web introduction f6 acca study text 2014 pdf pdf legal informatics daniel martin katz 2021 02 18 this cutting edge volume offers a theoretical and applied introduction to the

acca f6 taxation fa 2014 bpp study text - Aug 07 2023

web acca f6 taxation fa 2014 bpp study text free acca study material free acca study material free download acca study texts acca pass cards acca revision kits acca

bpp acca f6 study text 2014 pdf learn copyblogger - Feb 18 2022

web within the pages of bpp acca f6 study text 2014 an enthralling opus penned by a highly acclaimed wordsmith readers attempt an immersive expedition to unravel the

acca f6 bpp study text 2014 pdf uniport edu - Dec 19 2021

web jul 13 2023 acca f6 bpp study text 2014 is available in our book collection an online access to it is set as public so you

can download it instantly our digital library hosts in

acca f6 bpp study text 2014 pdf bpp learning media firm pdf - Nov 17 2021

web may 5 2023 acca f6 bpp study text 2014 pdf is straightforward in our digital library an online admission to it is set as public in view of that you can download it instantly our

acca p6 bpp study text 2014 pdf uniport edu - Jun 24 2022

web jun 28 2023 acca skills f6 taxation fa 2013 study text 2014 bpp learning media 2013 11 01 the examining team reviewed f6 study text covers all the relevant acca

bpp acca f 6 study text 2014 pdf publicaties nwp - Nov 29 2022

web bpp acca f 6 study text 2014 is available in our digital library an online access to it is set as public so you can get it instantly our books collection saves in multiple countries

acca f6 taxation fa2016 bpp learning media google books - Apr 03 2023

web nov 30 2016 acca f6 taxation fa2016 bpp learning media bpp learning media nov 30 2016 business economics 506 pages bpp learning media s status as official

prepare to pass acca global - Mar 02 2023

web uk f6 approved content provider study text and question and answer bank to ensure exam success these provide the most up to date content and syllabus coverage tests

le bruxellois sans interdits cannabinoïdxchange com - Oct 25 2022

web décisions notables du tribunal d appel de bruxelles jan 02 2023 conférence de bruxelles apr 12 2021 revue de l université de bruxelles dec 09 2020 le bruxellois sans

le bruxellois sans interdits 2ème édition by francis wanet - Aug 11 2021

philippe albert revient sur le succès probant d anderlecht le - Jan 28 2023

web avec une belle volonté pédagogique des tas de petites notations sur les moeurs c est la garantie d acquérir un bagage linguistique dérivé d une méthode qui a fait ses preuves

le bruxellois sans interdits 2ème édition by francis wanet - Apr 30 2023

web may 20 2023 le bruxellois sans interdits by guides de poche assimil entre le 26 septembre et le 9 octobre 2017 le bureau d étude ipsos a interrogé 1003 bruxellois

le bruxellois sans interdits uniport edu ng - Jul 22 2022

web apr 5 2023 le bruxellois sans interdits 3 3 downloaded from uniport edu ng on april 5 2023 by guest histoire de la ville de bruxelles alexandre henne 1845 le guide musical

etre libre ce n est pas être en libre service libération - Feb 26 2023

web 4 hours ago la une le fil info commentaires partager accueil sports football football belge philippe albert revient sur le succès probant d anderlecht au cercle les

philippe albert revient sur la performance de l union le soir - Dec 15 2021

web aug 19 2023 le bruxellois sans interdits 2ème édition by francis wanet pascal deux ans en prison je me dfonais avec la fiole de la grand place de bruxelles patrimoine

le bruxellois youtube - Feb 14 2022

web la carte celego de gemalto va permettre à plus de 400 000 bruxellois de bénéficier de la rapidité et de la commodité du sans contact dans le métro les bus et tramways

le bruxellois sans interdits by guides de poche assimil - Mar 30 2023

web 1 day ago la chanteuse et comédienne réagit aux photos d elle et de fabien galthié publiées sans son consentement en une de voici elle appelle à ce que ces

le bruxellois sans interdits 2ème édition by francis wanet - Jul 02 2023

web le bruxellois sans interdits l organisation du travail à bruxelles au xve siècle six cent vingt huit e huit

le bruxellois sans interdits pdf download tristonjerzy - Nov 25 2022

web le bruxellois sans interdits francis wanet 2002 01 01 pourquoi un manuel d argot parce que l argot fait partie du patrimoine culturel d un peuple parce que non content

le bruxellois sans interdits pdf bukuclone ortax org - Sep 04 2023

web may 20 2023 covid 19 les asbl ne sont pas la priorit du le bruxellois sans interdits langue de base franais le magazine nature amp environnement des bruxelloises 77

le bruxellois sans interdits help environment harvard edu - Sep 23 2022

web sep 16 2023 le bruxellois sans interdits 1 4 downloaded from uniport edu ng on september 16 2023 by guest le bruxellois sans interdits this is likewise one of the

le bruxellois sans interdits ftp dartgo - Jun 01 2023

web le bruxellois sans interdits 2ème édition by francis wanet cancrogne le roundup monsanto attaque les chercheurs calamo la terreur sous le directoire histoire de la

le bruxellois sans interdits uniport edu ng - Jun 20 2022

web le bruxellois sans interdits par assimil broché 98 pages édition de 2002 langue s français éditeur assimil collection évasion isbn 9074996558 parce que vous ne

bruxellois traduction anglaise linguee - Jan 16 2022

web 1 hour ago notre consultant philippe albert a vécu une rencontre mémorable au parc dudon où l'union virevoltante a enfin vaincu sa bête noire bruxelloise le sporting lui

le bruxellois sans interdits 2ème édition by francis wanet - Nov 13 2021

web may 23 2023 francis wanet le bruxellois sans interdits assimil benelux bruxelles 2002 98 pages isbn 90 74996 55 8
gees lebout dictionnaire du bruxellois Éditions le cri

le bruxellois sans interdits assimil bibliomania - May 20 2022

web le bruxellois sans interdits door assimil paperback 98 bladzijden uitgave 2002 taal talen frans uitgever assimil collectie
évasion isbn 9074996558 parce que

le bruxellois sans interdits ftp bonide com - Sep 11 2021

web le bruxellois sans interdits 2ème édition by francis wanet le bruxellois sans interdits 2ème édition by francis wanet
traitdunion la frappe en belgique occup e yumpu le

le bruxellois sans interdits by guides de poche assimil - Oct 13 2021

web le bruxellois sans interdits bruxelles à travers les âges le guide musical décisions notables du tribunal d appel de
bruxelles affaire relative à certains aspects du régime

le bruxellois sans interdits by guides de poche assimil - Aug 03 2023

web oct 3 2023 apprendimento delle regole ortografiche con parole frasi e brani ed evitare gli errori ricorrenti le bruxellois
sans interdits pdf professione astronauta oflags be

le bruxellois sans interdits assimil bibliomania - Apr 18 2022

web apr 6 2012 ce que disent les bruxellois la suite dis shit brusselians say the sequel fieu sophie frison cathy immelen
thomas ancora derc hen coster clément

ce que disent les bruxellois la suite dis youtube - Mar 18 2022

web oct 15 2013 about press copyright contact us creators advertise developers terms privacy policy safety how youtube
works test new features nfl sunday ticket

le bruxellois sans interdits poche francis wanet livre tous - Dec 27 2022

web 12 sermons sur le christ pdf download 15 minutes par jour pour apprendre l espagnol pdf download 2 minutes d anglais
aux toilettes pdf download 72545 plan de

le bruxellois sans interdits uniport edu ng - Aug 23 2022

web mar 9 2023 le bruxellois sans interdits 2 5 downloaded from uniport edu ng on march 9 2023 by guest actes de la
conférence de bruxelles brussels belgium conférence

le bruxellois sans interdits langue de base français - Oct 05 2023

web le bruxellois sans interdits pdf upload herison o hayda 2 11 downloaded from bukuclone ortax org on september 2 2023
by herison o hayda annuaire de la