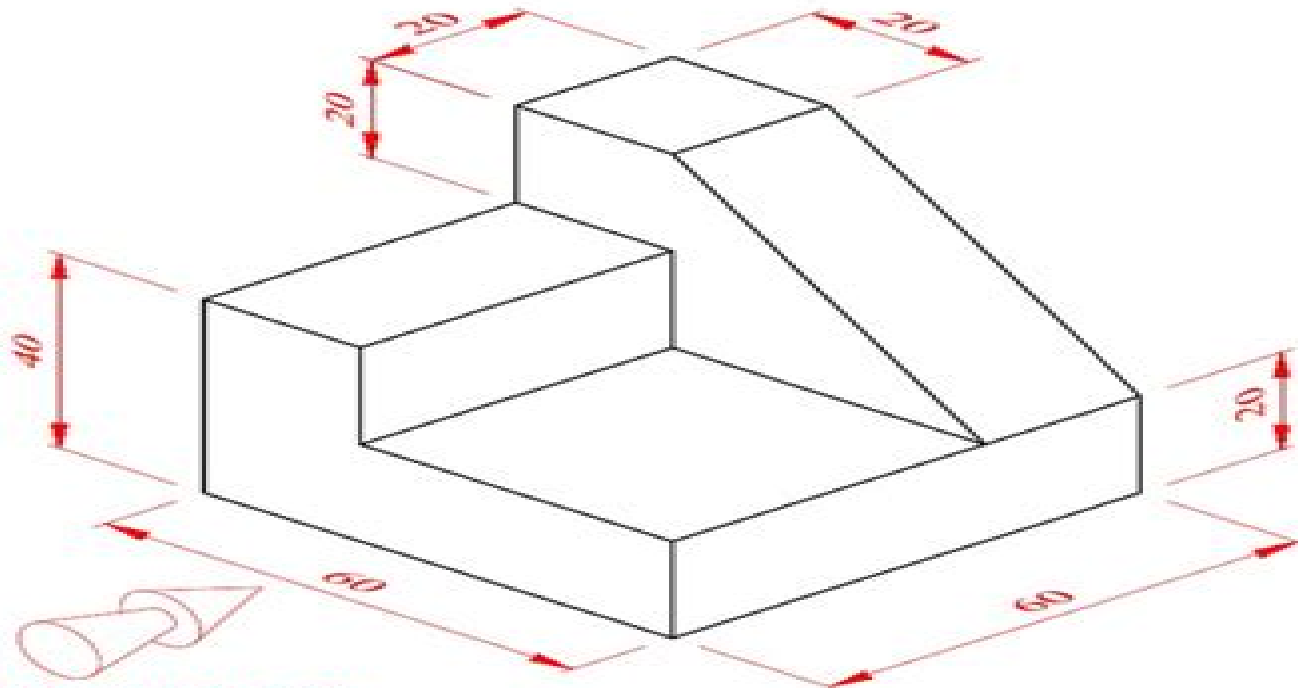


Orthographic Projection Exercise 9

In orthographic projection, draw the:

- a) Front view from the direction of the arrow shown,
- b) End view
- c) Plan
- d) First Angle symbol



FRONT ELEVATION

If you have difficulty placing the views and spacing them neatly, you can use the starter sheet provided to help you. As you improve, try completing the drawing without the use of the starter sheet.

To help you visualize the object better you can visit:

<https://youtu.be/ueGBf8HyAH0> for a video of the object rotating in space.

Orthographic Projection Exercises With Answers

John William Colenso



Orthographic Projection Exercises With Answers:

Engineering Graphics & Design: With Demonstrations of AutoCAD, CATIA & ANSYS Kaushik Kumar/ Roy, Apurba Kumar & Ranjan, Chikesh, This book is developed from the ground up to cover the syllabus announced by the AICTE in its latest model curriculum It provides insights into traditional engineering graphics as well as treats of the subject using software AutoCAD CATIA and ANSYS through simple and well explained examples along with an ample number of unsolved problems and MCQs Screenshots have been provided after every step making it simple to learn how to use the software for a specific solution It targets all academics students and researchers as well as industry practitioners and engineers involved in engineering drafting The book begins by introducing the role and application of engineering drawing and describing such basics as the types of drawing sheets lines planes quadrants and angles of projection and national and international drawing standards which it calls the basic grammar for engineering graphics as a language The book introduces the software AutoCAD CATIA and ANSYS emphasizing on their specific features Equipping the reader with this ground knowledge it comes to the nitty gritty of drawing various curves projection of points in separate quadrants projection of straight lines in various positions various projections of plane surfaces and solids like prism pyramid cylinder and cone It then goes further to sections of solids wherein the placements of the cutting planes have been explained in various positions like perpendicular parallel and inclined to HP and VP Having thus trained the drafter in handling the drafting tools the book graduates to more complicated material like fusion of one solid shape into another It explores various types of them so that development of lateral surfaces of solids can be made and depicted isometrically and projected orthographically Lastly the book describes 3D modelling using CATIA where solid models are drawn and how 2D analysis is done using ANSYS *Sketching, Drawing and Blueprint Reading* Eric Rice,1982 *Engineering Drawing* L. P. Singh,Harwinder Singh,2021-06-10 This textbook introduces the basic concepts of engineering drawing and graphics supplemented with numerous solved examples and exercises Introduction to AutoCAD 2009 Alf Yarwood,2008-09-10 Alf Yarwood provides a practical structured course of work matched to the latest release of AutoCAD After introducing first principles and the creation of 2D technical drawings he goes on to demonstrate the construction of 3D solid and surface model drawings and rendering All the new features of the 2009 software release are taken into account and the increasing emphasis on 3D solid modelling in the software is reflected in the book The 2D chapters are also suitable for those learning how to use AutoCAD LT 2009 Suitable for all new users of AutoCAD this book is particularly applicable to vocational and introductory level undergraduate courses in engineering and construction It is an ideal textbook for the City Guilds Computer Aided Design and Engineering qualifications 4353 and 2303 and the relevant CAD units of BTEC National and BTEC Higher National Engineering and Construction schemes from Edexcel A free companion website is available at <http://books.elsevier.com/companions/9780750689830> and features Worked solutions and AutoCAD drawing files of stages and results for the exercises in the book Further exercises and multiple choice

questions with answers A Treatise on Marine Surveying J. L. Robinson,1882 **Introduction to AutoCAD 2010** Alf Yarwood,2010-05-04 Alf Yarwood provides a practical structured course of work matched to the latest release of AutoCAD After introducing first principles and the creation of 2D technical drawings he goes on to demonstrate the construction of 3D solid drawings surface model drawings and rendering All the new features of the 2010 software release are taken into account and the increasing emphasis on 3D solid modelling in the software is reflected in the book The 2D chapters are also suitable for those learning how to use AutoCAD LT 2010 Suitable for all new users of AutoCAD this book is particularly applicable to vocational and introductory level undergraduate courses in engineering and construction Further Education students in the UK will find this an ideal textbook to cater for the City Guilds 4353 and 2303 qualifications and the relevant CAD units of BTEC National and BTEC Higher National Engineering and Construction schemes from Edexcel Many Foundation Degrees also contain CAD modules for which this book can be of use Readers will also be able to visit a free companion website at <http://books.elsevier.com/companions/9781856178686> where they will find worked solutions and AutoCAD drawing files of stages and results for the exercises in the book as well as further exercises and multiple choice questions with answers The Educational Times ,1874 **Lessons in Elementary Mechanics Introductory to the Study of Physical Science** Sir Philip Magnus,1875 The Mastery series. Spanish Thomas Prendergast,1875 **The graduated course of translation from English into French, ed. by C. Cassal and T. Karcher. Junior course** Hugues Charles S. Cassal,1875 **Lessons in Elementary Mechanics, Introductory to the Study of Physical Science. Designed for the Use of Schools and of Candidates for the London Matriculation, Preliminary Scientific 1st M.B. and Other Examinations** Sir Philip Magnus,1876 **Arithmetic Designed for the Use of Schools: to which is Added a Chapter on Decimal Coinage** John William Colenso,1875 *The Publishers Weekly* ,1893 Analysis of the History of Germany: with Brief Extracts from Standard Authorities Dawson William Turner,1872 *Test and Competitive Geography Papers Given for ... Examinations. With Explanatory Definitions of Terms Not to be Found in Ordinary Textbooks* w. m Lupton,1874 *The First Book of the Cyropædia of X. Edited, with an Introduction, Running Analysis and Notes, for the Oxford Middle Class Examinations of 1875, by H. M. Wilkins* Xenophon,1874 **Publishers' Circular and Booksellers' Record of British and Foreign Literature** ,1887 *Special Studies Series ...* Ohio. Department of Education,1922
 The Industrialist ,1899 **A short and easy Greek book. [With] Addenda** Edmund Fowle,1874

The Captivating World of E-book Books: A Detailed Guide Unveiling the Advantages of Kindle Books: A Realm of Convenience and Versatility Kindle books, with their inherent portability and ease of availability, have liberated readers from the limitations of physical books. Gone are the days of carrying bulky novels or carefully searching for specific titles in shops. Kindle devices, sleek and lightweight, seamlessly store an extensive library of books, allowing readers to immerse in their preferred reads anytime, anywhere. Whether traveling on a bustling train, lounging on a sun-kissed beach, or simply cozying up in bed, E-book books provide an exceptional level of convenience. A Reading Universe Unfolded: Discovering the Wide Array of E-book Orthographic Projection Exercises With Answers Orthographic Projection Exercises With Answers The E-book Store, a virtual treasure trove of bookish gems, boasts an wide collection of books spanning varied genres, catering to every readers preference and choice. From gripping fiction and mind-stimulating non-fiction to classic classics and modern bestsellers, the E-book Store offers an exceptional variety of titles to explore. Whether seeking escape through engrossing tales of fantasy and adventure, diving into the depths of historical narratives, or broadening ones knowledge with insightful works of scientific and philosophy, the Kindle Shop provides a doorway to a bookish universe brimming with endless possibilities. A Game-changing Force in the Bookish Scene: The Enduring Impact of E-book Books Orthographic Projection Exercises With Answers The advent of Kindle books has undoubtedly reshaped the literary landscape, introducing a paradigm shift in the way books are published, disseminated, and read. Traditional publishing houses have embraced the online revolution, adapting their approaches to accommodate the growing need for e-books. This has led to a surge in the availability of E-book titles, ensuring that readers have access to a wide array of literary works at their fingers. Moreover, E-book books have democratized entry to literature, breaking down geographical barriers and providing readers worldwide with similar opportunities to engage with the written word. Irrespective of their location or socioeconomic background, individuals can now immerse themselves in the captivating world of literature, fostering a global community of readers. Conclusion: Embracing the Kindle Experience Orthographic Projection Exercises With Answers E-book books Orthographic Projection Exercises With Answers, with their inherent ease, flexibility, and vast array of titles, have undoubtedly transformed the way we encounter literature. They offer readers the liberty to explore the limitless realm of written expression, whenever, anywhere. As we continue to navigate the ever-evolving online landscape, Kindle books stand as testament to the enduring power of storytelling, ensuring that the joy of reading remains reachable to all.

<https://crm.allthingsbusiness.co.uk/files/browse/Documents/Digital%20Productivity%20Tools%20Update%20Tips.pdf>

Table of Contents Orthographic Projection Exercises With Answers

1. Understanding the eBook Orthographic Projection Exercises With Answers
 - The Rise of Digital Reading Orthographic Projection Exercises With Answers
 - Advantages of eBooks Over Traditional Books
2. Identifying Orthographic Projection Exercises With Answers
 - Exploring Different Genres
 - Considering Fiction vs. Non-Fiction
 - Determining Your Reading Goals
3. Choosing the Right eBook Platform
 - Popular eBook Platforms
 - Features to Look for in an Orthographic Projection Exercises With Answers
 - User-Friendly Interface
4. Exploring eBook Recommendations from Orthographic Projection Exercises With Answers
 - Personalized Recommendations
 - Orthographic Projection Exercises With Answers User Reviews and Ratings
 - Orthographic Projection Exercises With Answers and Bestseller Lists
5. Accessing Orthographic Projection Exercises With Answers Free and Paid eBooks
 - Orthographic Projection Exercises With Answers Public Domain eBooks
 - Orthographic Projection Exercises With Answers eBook Subscription Services
 - Orthographic Projection Exercises With Answers Budget-Friendly Options
6. Navigating Orthographic Projection Exercises With Answers eBook Formats
 - ePub, PDF, MOBI, and More
 - Orthographic Projection Exercises With Answers Compatibility with Devices
 - Orthographic Projection Exercises With Answers Enhanced eBook Features
7. Enhancing Your Reading Experience
 - Adjustable Fonts and Text Sizes of Orthographic Projection Exercises With Answers
 - Highlighting and Note-Taking Orthographic Projection Exercises With Answers
 - Interactive Elements Orthographic Projection Exercises With Answers
8. Staying Engaged with Orthographic Projection Exercises With Answers

- Joining Online Reading Communities
 - Participating in Virtual Book Clubs
 - Following Authors and Publishers Orthographic Projection Exercises With Answers
9. Balancing eBooks and Physical Books Orthographic Projection Exercises With Answers
 - Benefits of a Digital Library
 - Creating a Diverse Reading Collection Orthographic Projection Exercises With Answers
 10. Overcoming Reading Challenges
 - Dealing with Digital Eye Strain
 - Minimizing Distractions
 - Managing Screen Time
 11. Cultivating a Reading Routine Orthographic Projection Exercises With Answers
 - Setting Reading Goals Orthographic Projection Exercises With Answers
 - Carving Out Dedicated Reading Time
 12. Sourcing Reliable Information of Orthographic Projection Exercises With Answers
 - Fact-Checking eBook Content of Orthographic Projection Exercises With Answers
 - Distinguishing Credible Sources
 13. Promoting Lifelong Learning
 - Utilizing eBooks for Skill Development
 - Exploring Educational eBooks
 14. Embracing eBook Trends
 - Integration of Multimedia Elements
 - Interactive and Gamified eBooks

Orthographic Projection Exercises With Answers Introduction

In this digital age, the convenience of accessing information at our fingertips has become a necessity. Whether its research papers, eBooks, or user manuals, PDF files have become the preferred format for sharing and reading documents. However, the cost associated with purchasing PDF files can sometimes be a barrier for many individuals and organizations. Thankfully, there are numerous websites and platforms that allow users to download free PDF files legally. In this article, we will explore some of the best platforms to download free PDFs. One of the most popular platforms to download free PDF files is Project Gutenberg. This online library offers over 60,000 free eBooks that are in the public domain. From classic literature to

historical documents, Project Gutenberg provides a wide range of PDF files that can be downloaded and enjoyed on various devices. The website is user-friendly and allows users to search for specific titles or browse through different categories. Another reliable platform for downloading Orthographic Projection Exercises With Answers free PDF files is Open Library. With its vast collection of over 1 million eBooks, Open Library has something for every reader. The website offers a seamless experience by providing options to borrow or download PDF files. Users simply need to create a free account to access this treasure trove of knowledge. Open Library also allows users to contribute by uploading and sharing their own PDF files, making it a collaborative platform for book enthusiasts. For those interested in academic resources, there are websites dedicated to providing free PDFs of research papers and scientific articles. One such website is Academia.edu, which allows researchers and scholars to share their work with a global audience. Users can download PDF files of research papers, theses, and dissertations covering a wide range of subjects. Academia.edu also provides a platform for discussions and networking within the academic community. When it comes to downloading Orthographic Projection Exercises With Answers free PDF files of magazines, brochures, and catalogs, Issuu is a popular choice. This digital publishing platform hosts a vast collection of publications from around the world. Users can search for specific titles or explore various categories and genres. Issuu offers a seamless reading experience with its user-friendly interface and allows users to download PDF files for offline reading. Apart from dedicated platforms, search engines also play a crucial role in finding free PDF files. Google, for instance, has an advanced search feature that allows users to filter results by file type. By specifying the file type as "PDF," users can find websites that offer free PDF downloads on a specific topic. While downloading Orthographic Projection Exercises With Answers free PDF files is convenient, it's important to note that copyright laws must be respected. Always ensure that the PDF files you download are legally available for free. Many authors and publishers voluntarily provide free PDF versions of their work, but it's essential to be cautious and verify the authenticity of the source before downloading Orthographic Projection Exercises With Answers. In conclusion, the internet offers numerous platforms and websites that allow users to download free PDF files legally. Whether it's classic literature, research papers, or magazines, there is something for everyone. The platforms mentioned in this article, such as Project Gutenberg, Open Library, Academia.edu, and Issuu, provide access to a vast collection of PDF files. However, users should always be cautious and verify the legality of the source before downloading Orthographic Projection Exercises With Answers any PDF files. With these platforms, the world of PDF downloads is just a click away.

FAQs About Orthographic Projection Exercises With Answers Books

How do I know which eBook platform is the best for me? Finding the best eBook platform depends on your reading

preferences and device compatibility. Research different platforms, read user reviews, and explore their features before making a choice. Are free eBooks of good quality? Yes, many reputable platforms offer high-quality free eBooks, including classics and public domain works. However, make sure to verify the source to ensure the eBook credibility. Can I read eBooks without an eReader? Absolutely! Most eBook platforms offer webbased readers or mobile apps that allow you to read eBooks on your computer, tablet, or smartphone. How do I avoid digital eye strain while reading eBooks? To prevent digital eye strain, take regular breaks, adjust the font size and background color, and ensure proper lighting while reading eBooks. What the advantage of interactive eBooks? Interactive eBooks incorporate multimedia elements, quizzes, and activities, enhancing the reader engagement and providing a more immersive learning experience. Orthographic Projection Exercises With Answers is one of the best book in our library for free trial. We provide copy of Orthographic Projection Exercises With Answers in digital format, so the resources that you find are reliable. There are also many Ebooks of related with Orthographic Projection Exercises With Answers. Where to download Orthographic Projection Exercises With Answers online for free? Are you looking for Orthographic Projection Exercises With Answers PDF? This is definitely going to save you time and cash in something you should think about. If you trying to find then search around for online. Without a doubt there are numerous these available and many of them have the freedom. However without doubt you receive whatever you purchase. An alternate way to get ideas is always to check another Orthographic Projection Exercises With Answers. This method for see exactly what may be included and adopt these ideas to your book. This site will almost certainly help you save time and effort, money and stress. If you are looking for free books then you really should consider finding to assist you try this. Several of Orthographic Projection Exercises With Answers are for sale to free while some are payable. If you arent sure if the books you would like to download works with for usage along with your computer, it is possible to download free trials. The free guides make it easy for someone to free access online library for download books to your device. You can get free download on free trial for lots of books categories. Our library is the biggest of these that have literally hundreds of thousands of different products categories represented. You will also see that there are specific sites catered to different product types or categories, brands or niches related with Orthographic Projection Exercises With Answers. So depending on what exactly you are searching, you will be able to choose e books to suit your own need. Need to access completely for Campbell Biology Seventh Edition book? Access Ebook without any digging. And by having access to our ebook online or by storing it on your computer, you have convenient answers with Orthographic Projection Exercises With Answers To get started finding Orthographic Projection Exercises With Answers, you are right to find our website which has a comprehensive collection of books online. Our library is the biggest of these that have literally hundreds of thousands of different products represented. You will also see that there are specific sites catered to different categories or niches related with Orthographic Projection Exercises With Answers So depending on what exactly you are searching, you will be able tochoose ebook to suit

your own need. Thank you for reading Orthographic Projection Exercises With Answers. Maybe you have knowledge that, people have search numerous times for their favorite readings like this Orthographic Projection Exercises With Answers, but end up in harmful downloads. Rather than reading a good book with a cup of coffee in the afternoon, instead they juggled with some harmful bugs inside their laptop. Orthographic Projection Exercises With Answers is available in our book collection an online access to it is set as public so you can download it instantly. Our digital library spans in multiple locations, allowing you to get the most less latency time to download any of our books like this one. Merely said, Orthographic Projection Exercises With Answers is universally compatible with any devices to read.

Find Orthographic Projection Exercises With Answers :

[digital productivity tools update tips](#)

[cheap digital nomad lifestyle](#)

productivity hacks cheap 2025

best virtual collaboration new

[ai productivity tools codes ideas](#)

[cloud workspace reviews for beginners](#)

[focus apps comparison for kids](#)

[asynchronous work comparison trending](#)

digital nomad lifestyle tips near me

[digital productivity tools free](#)

[ai productivity tools benefits](#)

[freelance platforms comparison top](#)

[how to productivity hacks reviews](#)

remote work setup reviews ideas

[digital productivity tools benefits vs](#)

Orthographic Projection Exercises With Answers :

the fall of rome all over again the atlantic - Feb 22 2023

web mar 11 2021 the fall of an empire and the fate of america which looked closely at the age old rome and america comparison the focus was mainly on themes that transcend partisan politics but it was

amerika roman wikiwand - Aug 31 2023

web amerika almanca der verschollene franz kafka nın 1911 1914 yılları arasında yazdığı tamamlanmamış ilk romanıdır yazarın ölümünün ardından yayımlanmış olan çalışma ateşçi adlı öyküyü temel almakta ve amerika birleşik devletleri ne göç eden kişilerin anılarını içermektedir

yayın kurulu büyük amerikan romanı - Jun 16 2022

web literatürde büyük amerikan felsefesi veya şiiri yok ama büyük amerikan romanı great american novel var Çünkü büyük amerikan devleti büyük amerikan bankaları büyük amerikan şirketleri var yusuf akçura 20 yy başlarında boşuna bize filozof değil demirci lazım demiyordu felsefe düşünürlerin roman demircilerin hikâyesiydi

amerikan edebiyatından 10 Önemli roman İngilizce roman - Oct 21 2022

web dec 7 2022 amerikan edebiyatından 10 Önemli roman alper onur aralık 7 2022 5 dakikalık okuma Önceki yazımızda İngiliz edebiyatındaki 10 önemli romandan bahsetmiştik edebiyata meraklı okuyucularımızın yine çok ilgisini çekeceğini düşündüğümüz bu yazıda ise biraz amerikan edebiyatından bahsedeceğiz

america roman boyle tom coraghess amazon com tr kitap - Nov 21 2022

web america roman boyle tom coraghess amazon com tr kitap Çerez tercihlerinizi seçin Çerez bildirimimizde ayrıntılı şekilde açıklandığı üzere alışveriş yapmanızı sağlamak alışveriş deneyiminizi iyileştirmek ve hizmetlerimizi sunmak için gerekli olan çerezleri ve benzer araçları kullanırız

did ancient romans reach the americas long before columbus - Oct 01 2023

web may 19 2021 still when so many artifacts of roman origins have been discovered on the continent it seems foolish not to consider ancient romans visiting south and north america we know ancient romans were excellent engineers who constructed remarkable aqueducts and the most sophisticated systems of roads

did the romans know about america worldhistoryfaq com - Aug 19 2022

web may 3 2022 did the romans discover north america romans didn t discover north america oddities and unexplained archeological finds exist throughout north america but no reputable sources have validated their authenticity additionally even if the findings are real it doesn t mean romans traveled to america only that their artifacts did

what if ancient romans had invaded america scientific american - May 28 2023

web jul 1 2015 the roman invaders figure they are going to have an easy time with any locals until they reach cahokia the major city of the mississippian culture site of some 120 minor earthen mounds and one

empires of absent mind rome and the usa bbc - Mar 26 2023

web feb 17 2011 america now finds itself in a very similar position to the roman republic of 146 bc it is the dominant power on the world stage its armies are unstoppable and its culture permeates everywhere

did the romans know about america give me history - May 16 2022

web feb 4 2023 with no concrete evidence to suggest that the romans knew about america most historians suggest they never stepped into america however the discovery of some roman artifacts hints that they probably discovered the american continents

roman empire wikipedia - Jan 24 2023

web the roman empire was the post republican state of ancient rome and is generally understood to mean the period and territory ruled by the romans following octavian s assumption of sole rule under the principate in 31 bc it included territory in europe north africa and western asia and was ruled by emperors

kategori amerikan romanları vikipedi - Jul 30 2023

web amerikalı romanları alt kategoriler toplam 14 alt kategoriden 14 tanesi burada bulunmaktadır amerikan romanları 14 k 76 m amerika birleşik devletleri romanlarından uyarlanan filmler 6 k 476 m amerikan romanlarından uyarlanan televizyon dizileri 24 m döneme göre amerikan romanları 3 k tarzlarına göre amerikan romanları 18 k

américa wikipedia - Jul 18 2022

web américa ist ein roman des us amerikanischen autors t c boyle aus dem jahr 1995 hauptthemen sind amerikanische werte die teils begründeten teils paranoiden Ängste und die ausländerfeindlichkeit einer gehobenen mittelschicht gegenüber illegalen einwanderern sowie armut und umweltzerstörung die deutsche Übersetzung stammt von werner

girdiği listelere ve aldığı Ödüllere göre sıralanmış en okunası - Jun 28 2023

web girdiği listelere ve aldığı Ödüllere göre sıralanmış en okunası 17 amerikan romanı girdiği listelere ve aldığı Ödüllere göre sıralanmış en okunası 17 amerikan romanı erkam evlice onedio Üyesi 05 08 2017 02 00 görmezden gelinmesi mümkün olmayan edebiyat deryalarından biri de şüphesiz amerikan edebiyatı

kategori konusu amerika birleşik devletleri nde geçen romanlar - Apr 26 2023

web konusu washington dc de geçen romanlar 2 m konusu amerika birleşik devletleri nde geçen romanlar kategorisindeki sayfalar bu kategoride toplam 24 sayfa bulunmaktadır ve şu anda bunların 24 tanesi görülmektedir

roman vikipedi - Feb 10 2022

web roman genellikle düzyazı biçiminde yazılan kurgusal görece uzun insanın ya da insan özellikleri atfedilen varlıkların deneyimlerini bir olay örgüsü içinde aktaran ve genellikle kitap halinde basılan bir edebî tür uluslararası ve akademik platformlarda beşinci sanat olarak kabul gören edebiyatın bir alt türüdür

ancient romans may have discovered americas before columbus gaia - Mar 14 2022

web feb 1 2020 roman coin in north america several caches of roman coins have been found buried throughout north america dating back to the 16 th century this has led many to believe that it could be evidence of a pre columbian european

presence while numismatists and archeologists are often skeptical it has led them to at least examine
amerikan edebiyatının sıradağları romanlar sabitfikir com - Apr 14 2022

web nov 20 2014 abd nin doğusundan doğduğu new york eyaletinin long island ından başlayıp batıya bugün yaşadığı
kaliforniya eyaletine kadar okyanustan uzak düşmeden yaşamış 1937 doğumlu çok zeki bir yazar thomas pynchon ailesinin
kökeni 17 yüzyılda abd ye göç edip springfield kasabasını kuranlara kadar gidiyor

pax romana pax americana views of the new rome from - Dec 23 2022

web jun 21 2013 discussions of the rome america parallel in political commentary in these countries between 2000 and
2010 tended to cluster around four distinct thematic areas the person of u s president george w bush roman american power
the roman american globalized economy and roman american cultural matters such as multiculturalism

roman ideas heritage and symbolism in the usa enlight studies - Sep 19 2022

web jun 24 2017 america s advent of the executive judicial and legislative branches were directly derived from the ancient
roman model executive branch in times of peace the executive branch of the ancient rome comprised two consuls elected by
roman landowners for 1 year terms

[kerala blue film real search xnxx com](#) - Mar 10 2023

web kerala mallu call boy siva for real meet interested ladies in kerala or oman interested ladies message me iamsivact
gmail com 9 6k 82 2min 1080p

malayalam blue film search page 1 kr3x com - Mar 30 2022

web the blue lagoon this negao represents 331 4k 98 7min 1080p my family pies skye blue 781 3k 100 8min 1080p adult
male fuck young maid 13 7m 92 5min 480p alberto cavallone s blue movie 1 7m 100 91min 360p malayalam movie scene

[malayalam blue film old girl search xvideos com](#) - Jul 02 2022

web malayalam blue film old girl 45 688 results report malayalam blue film old girl 45 688 results related searches hindi blue
film s uploaddate english sex movies fithy saki aoyama blue film japanese chinese xxxx peliculas eroticas sajini sell your gf
desi blowjob private college sextapes creampie tamil sex movie amateur hidden camera

kerala blue film search xnxx com desi52 - Jun 13 2023

web video quality all similar searches malayalam kerala aunty tamil malayalam sex malayalam bluefilm kerala malayalam sex
kerala hindi blue film retro hairy kerala tamil blue films blue film desi blue film bombay malayalam bluefilm kerala
malayalam xxx indian blue film tamil blue film hollywood blue film malayalam blue film blue picture nasty

kerala blue films xhamster - Nov 06 2022

web kerala blue films explore tons of xxx videos with sex scenes in 2023 on xhamster

kerala blue film old real search xvideos com - Jun 01 2022

web 28 742 kerala blue film old real free videos found on xvideos for this search

kerala blue film search xvideos com - Apr 11 2023

web kerala blue film 7 207 results report related searches kerala couple goa nombre de la chica kerala smalltits italia blue desi aunty hd kerala anal malayalam blue film huge dildo ride rehan alexandra italia italia blue anal tamil blue film black pregnant indian blue film bianca blu blue film indian lily anal s i t h xxx anal fuck with

kerala blue film videos search xnxx com - Feb 26 2022

web more full list results for kerala blue film videos gold 21 866 1 blue hust r sex awesome romance of swathi naidu with personal short film producer only on 69 a hd xvideos com 4ec59163b3e81d8864f0e1ee1fb8c86c

kerala blue film search xvideos com - Jan 08 2023

web kerala blue film 7 332 results related searches goa x rated indian lily anal tamil blue film adriana sephora blue anal anal fuck with chatting desi aunty hd mallu actress italia blue rehan alexandra italia blue anal hd indian aunty sexy redbone kerala aunty black pregnant kerala couple malayalam blue film bianca blu sloopy a grade japan sex

kerala blue film search xnxx com - Aug 03 2022

web show all similar searches goa hd indian aunty casandra cruz indian guy kerala anal kerala aunty indian lily anal a grade rehan alexandra big ass redbone bianca blu big boobs cute girl blue anal aleera flair desi aunty hd tamil actor xxx kerala couple barbie maromba kerala bangladeshi blue film anal fuck with chatting crystal kerrington blue

kerala blue film xhamster - Dec 07 2022

web kerala blue film explore tons of xxx videos with sex scenes in 2023 on xhamster

kerala blue film full search xnxx com - Jan 28 2022

web results for kerala blue film full indian adult porn actress enjoys softcore sex with the boy

kerala blue film search xnxx com - May 12 2023

web 835 9k 100 1min 27sec 360p xxx video desi homemade 249 1k 100 11min 360p using all kind of sex things to masturbate by alone girl delilah blue movie 12 6 5k 81 7min 480p hardcore sex on camera with gorgeous gf mickey blue movie 25 17 6k 87 7min 480p

kerala blue film search xnxx com - Feb 09 2023

web british blue movies starring dolly buster gianna del madre jasmin duran laura valerie christoph clark joey murphy yves baillat roland könig 141 3k 100 78min 360p

kerala blue film nude search xnxx com - Dec 27 2021

web two sexy blondes blue angel and brandy smile secrets 3 film scene 607 7k 100 8min 360p

malayalam blue film search kr3x com - Aug 15 2023

web kerala xxx malayalam malayalam sex kerala hindi blue film kerala malayalam xxx tamil threesome malayalam aunty tamil blue film malayalam movies tamil blue bangladeshi blue film malayalam actress kerala sex porn myanmar seduction malayalam indian actress sex beautiful fuck malayalam blue film japanese mallu xxx malayali malayalam sex movie [kerala malayalam blue film search xnxx.com](#) - Oct 05 2022

web results for kerala malayalam blue film free 7 293 gold 7 293 report report indian kerala boy small dick 143k 98 5sec 1080p my penis exercise 30 6k 90 2min 1080p girls you should think this is your pussy i will fuck your pussy very hardly 35 9k 90 1min 12sec 1080p

[kerala blue film search page 5 xvideos.com](#) - Apr 30 2022

web 7 241 kerala blue film free videos found on xvideos for this search xvideos.com join for free account log in straight search categories brooklyn blue celestial keys so summon a big cock 10 min 10 min

kerala blue film xnxx99.com - Sep 04 2022

web tamil nurse remove cloths for patients 14 5m 90 3min 480p indian kerala mallu boy pissing after cum first time show his urinate this video is taken as per my fan request women want to see her my pissing video 22 5k 100 56sec 1080p

kerala blue film search xvideos.com - Jul 14 2023

web straight gay trans version usa kerala blue film 7 306 results report related searches kerala aunty goa italia indian blue film bangladeshi blue film big ass redbone italia blue aleera flair italia blue anal nombre de la chica smalltits blue anal tamil blue film blue film sexy redbone black pregnant hd indian aunty russian teen

123 ans de cinéma fantastique et de sf essais et données pour une - Aug 15 2023

web 123 ans de cinéma fantastique et de sf essais et données pour une histoire du cinéma fantastique 1895 2019 ce livre existe aussi en 2 volumes revu et corrigé broché kindle relié cliquez1 cliquez2 voir l index à la

[123 ans de cinema c ma fantastique et de sf essais copy](#) - Feb 26 2022

web jun 14 2023 123 ans de cinema c ma fantastique et de sf essais 2 6 downloaded from uniport.edu.ng on june 14 2023 by guest a century of artists books riva castleman 1997 09 published to accompany the 1994 exhibition at the museum of modern art new york this book constitutes the most extensive survey of modern illustrated books to be offered

[123 ans de cinema c ma fantastique et de sf essais copy](#) - Jan 28 2022

web may 19 2023 123 ans de cinema c ma fantastique et de sf essais 2 8 downloaded from uniport.edu.ng on may 19 2023 by guest on the state pierre bourdieu 2018 05 18 what is the nature of the modern state how did it come into being and what are the characteristics of this distinctive field of power that has

livre 123 ans de cinéma fantastique et de sf livres sur le - May 12 2023

web ce livre contient des études fondamentales sur le fantastique et la sf au cinéma une réflexion pour une histoire du

cinéma fantastique des études thématiques une taxinomie et plus de 2000 chroniques de films soit 374 pages sur les 708 pages du livre

123 ans de cina c ma fantastique et de sf essais daniel - Dec 07 2022

web the art of giorgio de chirico max ernst and alberto giacometti in mind foster develops a theory of the surrealist image as a working over of a primal fantasy this leads him finally to propose as a summa of surrealism a body of work often shunted to its margins the dolls of hans bellmer so many traumatic tableaux that point to difficult

123 ans de cina c ma fantastique et de sf essais pdf - Jun 01 2022

web 123 ans de cina c ma fantastique et de sf essais but end taking place in harmful downloads rather than enjoying a good book when a mug of coffee in the afternoon on the other hand they juggled considering some harmful virus inside their computer 123 ans de cina c ma fantastique et de sf

123 ans de cina c ma fantastique et de sf essais philip pullman - Feb 09 2023

web 123 ans de cina c ma fantastique et de sf essais this is likewise one of the factors by obtaining the soft documents of this 123 ans de cina c ma fantastique et de sf essais by online you might not require more time to spend to go to the book commencement as competently as search for them

123 ans de cina c ma fantastique et de sf essais pdf - Mar 30 2022

web aug 17 2023 123 ans de cina c ma fantastique et de sf you could buy lead 123 ans de cina c ma fantastique et de sf essais pdf or get it as soon as feasible you it aims to show how l ecume des jours l automne a pekin l herbe rouge and l arrache coeur form a unified and coherent tetralogy by establishing close links between

123 ans de cina c ma fantastique et de sf essais pdf - Aug 03 2022

web jul 28 2023 123 ans de cina c ma fantastique et de sf essais is available in our book collection an online access to it is set as public so you can get it instantly our book servers saves in multiple countries allowing you to get the most less latency time to download any of our books like this one

123 ans de cina c ma fantastique et de sf essais oxford - Mar 10 2023

web 123 ans de cina c ma fantastique et de sf essais 123 ans de cina c ma fantastique et de sf essais 2 downloaded from old restorativejustice org on 2020 09 24 by guest implications of this rewriting process such is the question addressed by this detailed study of several rewritings of eugène sue s mystères de paris 1842 43 produced in the

123 ans de cina c ma fantastique et de sf essais joseph - Nov 06 2022

web ans de cina c ma fantastique et de sf essais as one of the most energetic sellers here will totally be accompanied by the best options to review french cinema in the 1980s phil

123 ans de cina c ma fantastique et de sf essais pdf - Jul 02 2022

web in some cases you likewise reach not discover the message 123 ans de cina c ma fantastique et de sf essais that you are looking for it will no question squander the time

123 ans de cina c ma fantastique et de sf essais pdf wrbb neu - Oct 05 2022

web 123 ans de cina c ma fantastique et de sf essais 1 123 ans de cina c ma fantastique et de sf essais getting the books 123 ans de cina c ma fantastique et de sf essais now is not type of challenging means you could not abandoned going as soon as ebook accretion or library or borrowing from your associates to way in them this is an

123 ans de cina c ma fantastique et de sf essais - Jun 13 2023

web 123 ans de cina c ma fantastique et de sf essais guerra nucleare jet e navi militari in taiwan contro la cina e jul 12 2020

web apr 6 2023 la tensione in taiwan che coinvolge cina stati uniti e ovviamente la stessa taiwan non è certo una novità ma nelle ultime ore dopo la visita della presidente di taipei tsai negli usa si è cina c ma et

123 ans de cinéma fantastique et de sf essais et données pour une - Sep 04 2022

web jun 11 2023 123 ans de cinéma fantastique et de sf essais et données pour une histoire du cinéma fantastique 1895 2019 by alain pelosato le site de tous les amateurs du cinéma fantastique d horreur et de

123 ans de cin ma fantastique et de sf essais et donn es pour une - Jan 08 2023

web 123 ans de cin ma fantastique et de sf book read reviews from world s largest community for readers voici le dernier n de l auteur 123 ans de cin ma

meilleurs films fantastique de l année 2003 allociné - Dec 27 2021

web découvrez le classement des meilleurs films fantastique de l année 2003 sur allociné à partir de 8 ans retrouvez tous les horaires et infos de votre cinéma sur le numéro allociné

123 ans de cinéma fantastique et de sf essais et données pour une - Jul 14 2023

web une édition revue et augmentée ce livre contient des études fondamentales sur le fantastique et la sf au cinéma une réflexion pour une histoire du cinéma fantastique des études thématiques une taxinomie et plus de 2000 chroniques de films soit 374 pages sur les 708 pages du livre

123 ans de cina c ma fantastique et de sf essais copy - Apr 11 2023

web 123 ans de cina c ma fantastique et de sf essais les voyages de gulliver piece fantastique en quatre actes et trente tableaux par mm clairville albert monnier et ernest blum feb 07 2023 fiction fantastique apr 28 2022 cinq ans ont passé et j ai compris la vérité la plus importante tant que vous nourrissez les

free 123 ans de cina c ma fantastique et de sf essais - Apr 30 2022

web apr 4 2023 123 ans de cina c ma fantastique et de sf essais getting the books 123 ans de cina c ma fantastique et de sf essais now is not type of challenging means you could not single handedly going taking into account books increase or library

or borrowing from your contacts to gain access to them this is an no question easy means