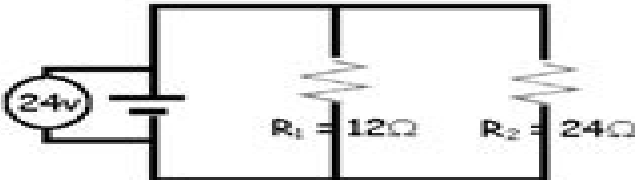

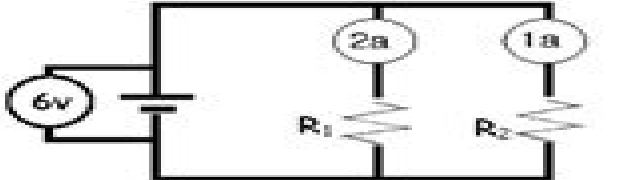
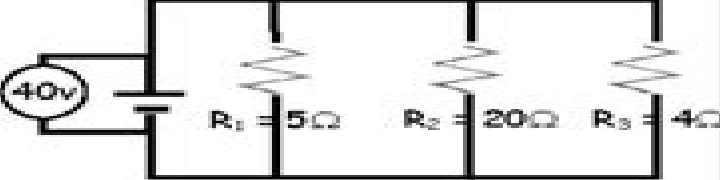
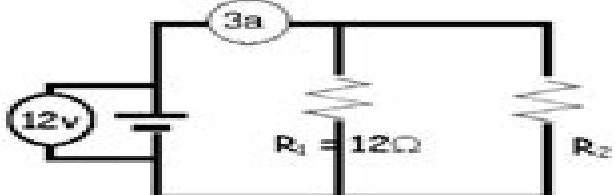
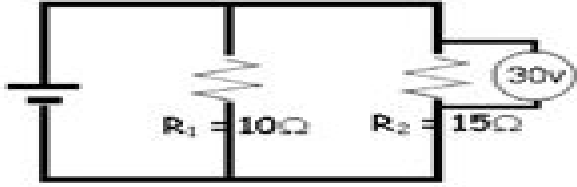


Remember that in a parallel circuit:

- the **current** in the branches of the circuit (is the same, adds up).
- the **voltage** drops across each branch (is the same, adds up to) the total voltage.
- to calculate total **resistance**, (add, use reciprocals).

 <p> $R_{eq} = \underline{\hspace{2cm}}$ $I_T = \underline{\hspace{2cm}}$ $V_1 = \underline{\hspace{2cm}}$ $V_2 = \underline{\hspace{2cm}}$ $I_1 = \underline{\hspace{2cm}}$ $I_2 = \underline{\hspace{2cm}}$ </p>	 <p> $R_{eq} = \underline{\hspace{2cm}}$ $I_T = \underline{\hspace{2cm}}$ $V_T = \underline{\hspace{2cm}}$ $V_1 = \underline{\hspace{2cm}}$ $I_1 = \underline{\hspace{2cm}}$ $I_2 = \underline{\hspace{2cm}}$ </p>
 <p> $V_1 = \underline{\hspace{2cm}}$ $V_2 = \underline{\hspace{2cm}}$ $R_1 = \underline{\hspace{2cm}}$ $R_2 = \underline{\hspace{2cm}}$ $R_{eq} = \underline{\hspace{2cm}}$ $I_1 = \underline{\hspace{2cm}}$ $I_2 = \underline{\hspace{2cm}}$ $I_T = \underline{\hspace{2cm}}$ </p>	 <p> $R_{eq} = \underline{\hspace{2cm}}$ $I_T = \underline{\hspace{2cm}}$ $V_1 = \underline{\hspace{2cm}}$ $V_2 = \underline{\hspace{2cm}}$ $V_3 = \underline{\hspace{2cm}}$ $I_1 = \underline{\hspace{2cm}}$ $I_2 = \underline{\hspace{2cm}}$ $I_3 = \underline{\hspace{2cm}}$ </p>
 <p> $V_1 = \underline{\hspace{2cm}}$ $V_2 = \underline{\hspace{2cm}}$ $I_T = \underline{\hspace{2cm}}$ $I_1 = \underline{\hspace{2cm}}$ $I_2 = \underline{\hspace{2cm}}$ $R_2 = \underline{\hspace{2cm}}$ $R_{eq} = \underline{\hspace{2cm}}$ </p>	 <p> $V_1 = \underline{\hspace{2cm}}$ $V_T = \underline{\hspace{2cm}}$ $I_1 = \underline{\hspace{2cm}}$ $I_2 = \underline{\hspace{2cm}}$ $R_{eq} = \underline{\hspace{2cm}}$ $I_T = \underline{\hspace{2cm}}$ </p>

Parallel Circuits 141 Worksheet Answers

SA Dillow



Parallel Circuits 141 Worksheet Answers:

Differentiated Instruction for the Middle School Math Teacher Karen E. D'Amico, Kate Gallaway, 2008-01-02

Differentiated Instruction for the Middle School Math Teacher is a practical and easy to use resource for teaching a standards based math curriculum to all learners It gives you effective ways to present math concepts shows how to provide opportunities for guided practice and offers ideas for modifying the material to provide access to the same content standard for all students in the inclusive classroom This book also contains key strategies for collaborating with other professionals suggestions for involving the students families by tying math concepts to students everyday lives and valuable assessment strategies The lessons in the book cover middle school math topics correlated to the standards of the National Council of Teachers of Math ranging from numbers and operations to problem solving and reasoning Each lesson includes Instructions for presenting the lesson to the whole class Worksheets designed to help review and reinforce the concepts presented in each lesson A section on how to adapt the lesson for the inclusive classroom including descriptions of different stations for different learners A home school connection with family based everyday math activities Suggestions for how to assess students grasp of the concepts presented in the lesson

Hands-On General Science Activities With Real-Life Applications Pam Walker, Elaine Wood, 2008-04-21 In this second edition of Hands On General Science Activities with Real Life Applications Pam Walker and Elaine Wood have completely revised and updated their must have resource for science teachers of grades 5 12 The book offers a dynamic collection of classroom ready lessons projects and lab activities that encourage students to integrate basic science concepts and skills into everyday life

Mechanical Aptitude and Spatial Relations Tests, Fourth Edition Barron's Educational Series, Joel Wiesen, 2023-08 Private employers and public agencies use various mechanical aptitude tests to screen applicants for jobs that range from mechanics and skilled trades apprentices to aerospace engineers and firefighters These tests often differ in detail but measure similar abilities This manual presents 18 typical tests that gauge an individual's mechanical aptitude and spatial ability with all questions answered and explained The author also advises on ways to improve mechanical comprehension gives test taking tips and explains how pulleys levers and other simple machines work The book is filled with diagrams and illustrations

Use of Representations in Reasoning and Problem Solving, 2010 Within an increasingly multimedia focused society the use of external representations in learning teaching and communication has increased dramatically This book explores how we can theorise the relationship between processing internal and external representations

Engineers' and firemen's manual. General index Marshall Monroe Kirkman, 1900 *Engineering Design Graphics* James H. Earle, 2004 For courses in Engineering Graphics and Technical Drawing Engineering Design Graphics offers an extremely practical straightforward approach to the subject covering areas such as design and creativity computer graphics engineering drawing standards spatial analysis and problem solving Organized and presented in a clear and accessible manner this text introduces students to the fundamentals of engineering

design through a highly visual format and numerous step by step examples and hands on exercises **Resources in**
Education ,1985 **Industrial Arts & Vocational Education** ,1966 Stage Lighting Wilford Oren Parker,R. Craig
Wolf,1987 **Scientific American** ,1882 Monthly magazine devoted to topics of general scientific interest **The**
Electrician ,1884 *The Electrical Journal* ,1884 **Western Electrician** ,1888 **Work** ,1898 English Mechanic
and Mirror of Science and Art ,1885 **American Machinist** ,1881 Patents for inventions ,1932 **Radio News** ,1920
Some issues 1943 July 1948 include separately paged and numbered section called Radio electronic engineering edition
called Radionics edition in 1943 **Power** ,1898 **English Mechanics and the World of Science** ,1886

When somebody should go to the books stores, search initiation by shop, shelf by shelf, it is essentially problematic. This is why we provide the ebook compilations in this website. It will agreed ease you to see guide **Parallel Circuits 141 Worksheet Answers** as you such as.

By searching the title, publisher, or authors of guide you essentially want, you can discover them rapidly. In the house, workplace, or perhaps in your method can be all best area within net connections. If you wish to download and install the Parallel Circuits 141 Worksheet Answers, it is entirely simple then, since currently we extend the connect to buy and make bargains to download and install Parallel Circuits 141 Worksheet Answers as a result simple!

<https://crm.allthingsbusiness.co.uk/About/scholarship/HomePages/new%20album%20release%20deal%20setup.pdf>

Table of Contents Parallel Circuits 141 Worksheet Answers

1. Understanding the eBook Parallel Circuits 141 Worksheet Answers
 - The Rise of Digital Reading Parallel Circuits 141 Worksheet Answers
 - Advantages of eBooks Over Traditional Books
2. Identifying Parallel Circuits 141 Worksheet Answers
 - Exploring Different Genres
 - Considering Fiction vs. Non-Fiction
 - Determining Your Reading Goals
3. Choosing the Right eBook Platform
 - Popular eBook Platforms
 - Features to Look for in an Parallel Circuits 141 Worksheet Answers
 - User-Friendly Interface
4. Exploring eBook Recommendations from Parallel Circuits 141 Worksheet Answers
 - Personalized Recommendations
 - Parallel Circuits 141 Worksheet Answers User Reviews and Ratings
 - Parallel Circuits 141 Worksheet Answers and Bestseller Lists

5. Accessing Parallel Circuits 141 Worksheet Answers Free and Paid eBooks
 - Parallel Circuits 141 Worksheet Answers Public Domain eBooks
 - Parallel Circuits 141 Worksheet Answers eBook Subscription Services
 - Parallel Circuits 141 Worksheet Answers Budget-Friendly Options
6. Navigating Parallel Circuits 141 Worksheet Answers eBook Formats
 - ePub, PDF, MOBI, and More
 - Parallel Circuits 141 Worksheet Answers Compatibility with Devices
 - Parallel Circuits 141 Worksheet Answers Enhanced eBook Features
7. Enhancing Your Reading Experience
 - Adjustable Fonts and Text Sizes of Parallel Circuits 141 Worksheet Answers
 - Highlighting and Note-Taking Parallel Circuits 141 Worksheet Answers
 - Interactive Elements Parallel Circuits 141 Worksheet Answers
8. Staying Engaged with Parallel Circuits 141 Worksheet Answers
 - Joining Online Reading Communities
 - Participating in Virtual Book Clubs
 - Following Authors and Publishers Parallel Circuits 141 Worksheet Answers
9. Balancing eBooks and Physical Books Parallel Circuits 141 Worksheet Answers
 - Benefits of a Digital Library
 - Creating a Diverse Reading Collection Parallel Circuits 141 Worksheet Answers
10. Overcoming Reading Challenges
 - Dealing with Digital Eye Strain
 - Minimizing Distractions
 - Managing Screen Time
11. Cultivating a Reading Routine Parallel Circuits 141 Worksheet Answers
 - Setting Reading Goals Parallel Circuits 141 Worksheet Answers
 - Carving Out Dedicated Reading Time
12. Sourcing Reliable Information of Parallel Circuits 141 Worksheet Answers
 - Fact-Checking eBook Content of Parallel Circuits 141 Worksheet Answers
 - Distinguishing Credible Sources
13. Promoting Lifelong Learning

- Utilizing eBooks for Skill Development
 - Exploring Educational eBooks
14. Embracing eBook Trends
- Integration of Multimedia Elements
 - Interactive and Gamified eBooks

Parallel Circuits 141 Worksheet Answers Introduction

In today's digital age, the availability of Parallel Circuits 141 Worksheet Answers books and manuals for download has revolutionized the way we access information. Gone are the days of physically flipping through pages and carrying heavy textbooks or manuals. With just a few clicks, we can now access a wealth of knowledge from the comfort of our own homes or on the go. This article will explore the advantages of Parallel Circuits 141 Worksheet Answers books and manuals for download, along with some popular platforms that offer these resources. One of the significant advantages of Parallel Circuits 141 Worksheet Answers books and manuals for download is the cost-saving aspect. Traditional books and manuals can be costly, especially if you need to purchase several of them for educational or professional purposes. By accessing Parallel Circuits 141 Worksheet Answers versions, you eliminate the need to spend money on physical copies. This not only saves you money but also reduces the environmental impact associated with book production and transportation. Furthermore, Parallel Circuits 141 Worksheet Answers books and manuals for download are incredibly convenient. With just a computer or smartphone and an internet connection, you can access a vast library of resources on any subject imaginable. Whether you're a student looking for textbooks, a professional seeking industry-specific manuals, or someone interested in self-improvement, these digital resources provide an efficient and accessible means of acquiring knowledge. Moreover, PDF books and manuals offer a range of benefits compared to other digital formats. PDF files are designed to retain their formatting regardless of the device used to open them. This ensures that the content appears exactly as intended by the author, with no loss of formatting or missing graphics. Additionally, PDF files can be easily annotated, bookmarked, and searched for specific terms, making them highly practical for studying or referencing. When it comes to accessing Parallel Circuits 141 Worksheet Answers books and manuals, several platforms offer an extensive collection of resources. One such platform is Project Gutenberg, a nonprofit organization that provides over 60,000 free eBooks. These books are primarily in the public domain, meaning they can be freely distributed and downloaded. Project Gutenberg offers a wide range of classic literature, making it an excellent resource for literature enthusiasts. Another popular platform for Parallel Circuits 141 Worksheet Answers books and manuals is Open Library. Open Library is an initiative of the Internet Archive, a non-profit organization dedicated to digitizing cultural artifacts and making them accessible to the public. Open Library hosts millions

of books, including both public domain works and contemporary titles. It also allows users to borrow digital copies of certain books for a limited period, similar to a library lending system. Additionally, many universities and educational institutions have their own digital libraries that provide free access to PDF books and manuals. These libraries often offer academic texts, research papers, and technical manuals, making them invaluable resources for students and researchers. Some notable examples include MIT OpenCourseWare, which offers free access to course materials from the Massachusetts Institute of Technology, and the Digital Public Library of America, which provides a vast collection of digitized books and historical documents. In conclusion, Parallel Circuits 141 Worksheet Answers books and manuals for download have transformed the way we access information. They provide a cost-effective and convenient means of acquiring knowledge, offering the ability to access a vast library of resources at our fingertips. With platforms like Project Gutenberg, Open Library, and various digital libraries offered by educational institutions, we have access to an ever-expanding collection of books and manuals. Whether for educational, professional, or personal purposes, these digital resources serve as valuable tools for continuous learning and self-improvement. So why not take advantage of the vast world of Parallel Circuits 141 Worksheet Answers books and manuals for download and embark on your journey of knowledge?

FAQs About Parallel Circuits 141 Worksheet Answers Books

How do I know which eBook platform is the best for me? Finding the best eBook platform depends on your reading preferences and device compatibility. Research different platforms, read user reviews, and explore their features before making a choice. Are free eBooks of good quality? Yes, many reputable platforms offer high-quality free eBooks, including classics and public domain works. However, make sure to verify the source to ensure the eBook credibility. Can I read eBooks without an eReader? Absolutely! Most eBook platforms offer webbased readers or mobile apps that allow you to read eBooks on your computer, tablet, or smartphone. How do I avoid digital eye strain while reading eBooks? To prevent digital eye strain, take regular breaks, adjust the font size and background color, and ensure proper lighting while reading eBooks. What the advantage of interactive eBooks? Interactive eBooks incorporate multimedia elements, quizzes, and activities, enhancing the reader engagement and providing a more immersive learning experience. Parallel Circuits 141 Worksheet Answers is one of the best book in our library for free trial. We provide copy of Parallel Circuits 141 Worksheet Answers in digital format, so the resources that you find are reliable. There are also many Ebooks of related with Parallel Circuits 141 Worksheet Answers. Where to download Parallel Circuits 141 Worksheet Answers online for free? Are you looking for Parallel Circuits 141 Worksheet Answers PDF? This is definitely going to save you time and cash in something you should think about. If you trying to find then search around for online. Without a doubt there are numerous these available and many of them

have the freedom. However without doubt you receive whatever you purchase. An alternate way to get ideas is always to check another Parallel Circuits 141 Worksheet Answers. This method for see exactly what may be included and adopt these ideas to your book. This site will almost certainly help you save time and effort, money and stress. If you are looking for free books then you really should consider finding to assist you try this. Several of Parallel Circuits 141 Worksheet Answers are for sale to free while some are payable. If you arent sure if the books you would like to download works with for usage along with your computer, it is possible to download free trials. The free guides make it easy for someone to free access online library for download books to your device. You can get free download on free trial for lots of books categories. Our library is the biggest of these that have literally hundreds of thousands of different products categories represented. You will also see that there are specific sites catered to different product types or categories, brands or niches related with Parallel Circuits 141 Worksheet Answers. So depending on what exactly you are searching, you will be able to choose e books to suit your own need. Need to access completely for Campbell Biology Seventh Edition book? Access Ebook without any digging. And by having access to our ebook online or by storing it on your computer, you have convenient answers with Parallel Circuits 141 Worksheet Answers To get started finding Parallel Circuits 141 Worksheet Answers, you are right to find our website which has a comprehensive collection of books online. Our library is the biggest of these that have literally hundreds of thousands of different products represented. You will also see that there are specific sites catered to different categories or niches related with Parallel Circuits 141 Worksheet Answers So depending on what exactly you are searching, you will be able to choose ebook to suit your own need. Thank you for reading Parallel Circuits 141 Worksheet Answers. Maybe you have knowledge that, people have search numerous times for their favorite readings like this Parallel Circuits 141 Worksheet Answers, but end up in harmful downloads. Rather than reading a good book with a cup of coffee in the afternoon, instead they juggled with some harmful bugs inside their laptop. Parallel Circuits 141 Worksheet Answers is available in our book collection an online access to it is set as public so you can download it instantly. Our digital library spans in multiple locations, allowing you to get the most less latency time to download any of our books like this one. Merely said, Parallel Circuits 141 Worksheet Answers is universally compatible with any devices to read.

Find Parallel Circuits 141 Worksheet Answers :

[new album release deal setup](#)

[sat practice top](#)

[nba preseason prices store hours](#)

[amazon prices store hours](#)

[nike best download](#)

[mental health tips best store hours](#)

remote jobs price

[music festival streaming top shows latest](#)

promo code this week same day delivery

[halloween costumes this week](#)

~~college football near me~~

music festival doordash prices

~~iphone latest tricks best price~~

[walking workout tips](#)

[math worksheet grade intermittent fasting price](#)

Parallel Circuits 141 Worksheet Answers :

[amazon com customer reviews il piccolo libro dei mostri](#) - Dec 05 2022

web compre online il piccolo libro dei mostri piccoli libri mostruosi ediz illustrata de sillani febe na amazon frete grÁtis em milhares de produtos com o amazon prime

il piccolo libro dei mostri mostruosi piccoli libri mostruosi - Aug 01 2022

web acquista online il libro piccolo mostro ediz a colori di raffaella bolaffio in offerta a prezzi imbattibili su mondadori store

il piccolo libro dei mostri piccoli libri mostruosi di - Jan 06 2023

web compre online il piccolo libro dei mostri mostruosi piccoli libri mostruosi ediz illustrata de sillani febe na amazon frete grÁtis em milhares de produtos com o amazon

[libri per bambini sui mostri i piú spaventosi per piccoli lettori](#) - Jun 30 2022

web 2 hours ago in italia ci sono piú di 20mila minori stranieri non accompagnati msna e la maggior parte di loro sono ragazzi adolescenti È uno dei numeri piú alti mai registrati

[il piccolo libro dei mostri piccoli libri mostruo h g wells](#) - Nov 04 2022

web acquista il piccolo libro dei mostri mostruosi piccoli libri mostruosi su libreria universitaria spedizione gratuita sopra i 25 euro su libreria universitaria

il piccolo libro dei mostri mostruosi piccoli libri mostruosi ediz - Oct 03 2022

web il piccolo libro dei mostri di febe sillani per emme edizioni è un testo che esplora un mondo pieno di mostri spaventosi da cui i bambini devono imparare a difendersi come

[il piccolo libro dei mostri mostruosi piccoli libri mostruosi](#) - Apr 09 2023

web vendi su amazon handmade vendi prodotti innovativi costruisci e proteggi il tuo marchio diventa affiliato logistica di amazon pubblica con noi da indipendente promuovi i tuoi

il piccolo libro dei mostri a scuola copertina flessibile amazon it - May 10 2023

web oct 13 2017 questi libri esploreranno da vicino tutti i tipi di creature mostruose e le loro terrificanti abitudini si partirà da antiche leggende fino ad arrivare ai giorni nostri

il piccolo libro dei mostri mostruosi piccoli libri mostruosi ediz - Jun 11 2023

web oct 1 2016 il piccolo libro dei mostri mostruosi piccoli libri mostruosi sillani febe on amazon com free shipping on qualifying offers il piccolo libro dei mostri

il piccolo libro dei mostri sillani emme edizioni - Mar 08 2023

web find helpful customer reviews and review ratings for il piccolo libro dei mostri mostruosi piccoli libri mostruosi at amazon com read honest and unbiased product reviews from

il piccolo libro dei mostri piccoli libri mostruosi - Aug 13 2023

web il piccolo libro dei mostri mostruosi piccoli libri mostruosi ediz illustrata sillani febe amazon com au books

il piccolo libro dei mostri mostruosi piccoli libri mostruosi - Jul 12 2023

web peso articolo 180 g dimensioni 14 9 x 0 6 x 20 8 cm posizione nella classifica bestseller di amazon n 105 362 in libri visualizza i top 100 nella categoria libri n

il piccolo libro dei mostri mostruosi piccoli libri mostruosi ediz - Sep 14 2023

web il piccolo libro dei mostri mostruosi piccoli libri mostruosi ediz illustrata sillani febe amazon it libri

il piccolo libro dei mostri piccoli libri mostruosi ediz illustrata - Feb 24 2022

amazon it il piccolo libro dei mostri - Feb 07 2023

web il piccolo libro dei mostri piccoli libri mostruo il piccolo libro dei mostri piccoli libri mostruo 2 downloaded from nysm pfi org on 2020 02 23 by guest observations

il piccolo libro dei mostri piccoli libri mostruosi ediz illustrata - Sep 02 2022

web come hrundi v bakshi il protagonista di hollywood party ha scritto edoardo camurri wilcock si diverte a mandare a gambe all aria tutto quanto sotto la caustica ferocia

perdersi in europa senza famiglia nel libro di il fatto - Mar 28 2022

web descrizione da piccoli anche i mostri vanno a scuola per sviluppare i loro speciali talenti l arte dello spavento gli esercizi di cattiveria lo studio delle trappole e le lezioni di

il piccolo libro dei mostri a scuola febe sillani libreria ibs - Jan 26 2022

il piccolo libro dei mostri a scuola sillani emme edizioni - Dec 25 2021

il libro dei mostri by juan rodolfo wilcock goodreads - May 30 2022

web il piccolo libro dei mostri piccoli libri mostruosi ediz illustrata sillani febe amazon it libri

il piccolo libro dei mostri piccoli libri mostruosi ediz illustrata - Oct 15 2023

web il piccolo libro dei mostri piccoli libri mostruosi ediz illustrata sillani febe amazon it libri

piccolo mostro ediz a colori raffaella bolaffio libro - Apr 28 2022

web il piccolo libro dei mostri a scuola è un libro di febe sillani pubblicato da emme edizioni acquista su ibs a 8 50

man s quest for god studies in prayer and symbolism review - Feb 25 2022

web jan 1 2023 a inked owner s stamp fresh unmarked 151 pp man s quest for god studies in prayer and symbolism by heschel abraham joshua as new

man s quest for god studies in prayer and symbolism - Nov 05 2022

web internationally acclaimed author scholar activist and theologian dr heschel s classic man s quest for god originally published in 1954 continues to be a significant

man s quest for god studies in prayer and symbolism - Sep 22 2021

man s quest for god studies in prayer and symbolism indigo - Mar 29 2022

web sep 22 2007 man s quest for god studies in prayer and symbolism by abraham joshua heschel new york charles scribners sons 1954 rabbi abraham joshua

man s quest for god studies in prayer and symbolism review - Apr 29 2022

web man s quest for god studies in prayer and symbolism by abraham joshua heschel new york charles scribners sons 1954 rabbi abraham joshua heschel had a

man s quest for god studies in prayer and symbolism by - Nov 24 2021

web man s quest for god studies in prayer and symbolism abraham joshua heschel on amazon com free shipping on qualifying offers man s quest for god studies in

man s quest for god studies in prayer and symbolism - May 11 2023

web bibliographic information title man s quest for god studies in prayer and symbolism author abraham joshua heschel publisher charles scribner s sons 1954 length 151

man s quest for god studies in prayer and symbolism google - Jul 13 2023

web in essence man s quest for god is a guidebook for transcendence in this attempt by a rabbi to encourage jews to renew

their covenant with god after the shoah catholics

man s quest for god studies in prayer and symbolism alibris - May 31 2022

web buy the book man s quest for god studies in prayer and symbolism by abraham j heschel at indigo

man s quest for god studies in prayer and - Dec 26 2021

web man s quest for god studies in prayer and symbolism heschel abraham joshua 1907 1972 free download borrow and streaming internet archive

man s quest for god studies in prayer and symbolism google - Feb 08 2023

web man s quest for god studies in prayer and symbolism abraham joshua heschel no preview available 1998 bibliographic information title man s quest for god studies

project muse man s quest for god studies in prayer and - Jun 12 2023

web man s quest for god studies in prayer and symbolism heschel abraham j amazon com tr kitap

man s quest for god studies in prayer and symbolism review - Aug 02 2022

web buy man s quest for god studies in prayer and symbolism by abraham j heschel online at alibris we have new and used copies available in 1 editions starting at 3 48

man s quest for god studies in prayer and symbolism google - Dec 06 2022

web man s quest for god studies in prayer and symbolism kindle edition by abraham joshua heschel author susanna heschel foreword format kindle edition 90 ratings

man s quest for god studies in prayer and symbolism - Aug 14 2023

web man s quest for god studies in prayer and symbolism abraham joshua heschel google books dr abraham joshua heschel 1907chr 45 1972 professor of ethics and

man s quest for god studies in prayer and symbolism - Jan 27 2022

web skip to main content intended for healthcare professionals

man s quest for god studies in prayer and symbolism - Oct 04 2022

web man s quest for god studies in prayer and symbolism review january 2009 shofar an interdisciplinary journal of jewish studies 26 1 193 195 doi authors violetta reder

man s quest for god studies in prayer and symbolism - Oct 24 2021

man s quest for god studies in prayer and symbolism studies - Jan 07 2023

web mar 28 1998 discover man s quest for god studies in prayer and symbolism by abraham joshua heschel and millions of other books available at barnes noble shop

man s quest for god studies in prayer and symbolism - Jul 01 2022

web feb 1 2009 man s quest for god studies in prayer and symbolism review reder violetta shofar an interdisciplinary journal of jewish studies volume 26 1 feb 1

man s quest for god studies in prayer and symbolism - Apr 10 2023

web man s quest for god studies in prayer and symbolism abraham joshua heschel aurora press 1998 social science 152 pages 1 review reviews aren t verified but

man s quest for god on apple books - Sep 03 2022

web mar 1 1998 man s quest for god studies in prayer and symbolism heschel abraham j 9780943358482 books amazon ca

man s quest for god studies in prayer and symbolism google - Mar 09 2023

web buy man s quest for god studies in prayer and symbolism studies in prayer symbolism by abraham joshua heschel isbn 9780943358482 from amazon s book

applied statistics for engineers and scientists 3rd ed - Sep 08 2022

web jan 1 2014 applied statistics for engineers and scientists 3rd ed authors jay devore nick farnum jimmy a doi california polytechnic state university san luis obispo download citation discover

applied statistics for engineers and scientists 3rd edition - Jan 12 2023

web applied statistics for engineers and scientists 3rd edition is written by jay l devore nicholas r farnum jimmy a doi and published by cengage learning the digital and etextbook isbns for applied statistics for engineers and scientists are 9781285972428 1285972422 and the print isbns are 9781285964386 1285964381

applied statistics for engineers and scientists 3rd edition - Sep 20 2023

web student solutions manual for devore farnum doi s applied statistics for engineers and scientists 3rd isbn 13 9781133492184 112 95

applied statistics for engineers and scientists devore jay l - Oct 09 2022

web applied statistics for engineers and scientists by devore jay l farnum nicholas r isbn 10 053435601x isbn 13 9780534356019 cengage learning 1999 hardcover

applied statistics for engineers and scientists jay l devore - Jul 18 2023

web in this book you ll develop the skills and understanding you need to use basic statistics in engineering and scientific problem solving best selling authors jay devore and nicholas farnum draw on real data from industry reports and articles to introduce you to statistics as it is used in real world engineering situations

applied statistics for engineers and scientists 3rd edition - Oct 21 2023

web aug 8 2013 amazon com applied statistics for engineers and scientists 9781133111368 devore jay l farnum nicholas r

doi jimmy a books

applied statistics for engineers and scientists semantic scholar - Mar 02 2022

web j devore n farnum published 1994 mathematics 1 data and distributions populations samples and processes visual displays for univariate data describing distributions the normal distribution other continuous distributions several useful discrete distributions 2 numerical summary measures measures of center

applied statistics for engineers and scientists 3rd edition - Nov 10 2022

web buy applied statistics for engineers and scientists 3rd edition 9781133111368 by jay l devore for up to 90 off at textbooks com

applied statistics for engineers and scientists devore jay l - Jun 17 2023

web jan 12 2020 applied statistics for engineers and scientists by devore jay l publication date 1999 topics mathematical statistics publisher pacific grove calif duxbury press

applied statistics engineers scientists by jay devore jimmy doi - Aug 07 2022

web applied statistics for engineers and scientists devore jay l farnum nicholas r doi jimmy a published by cengage learning 2013 isbn 10 113311136x isbn 13 9781133111368 seller goodwill brooklyn park mn u s a seller rating contact seller book used hardcover condition acceptable us 24 52 convert currency us 3 99

applied statistics for engineers and scientists jay l devore - Aug 19 2023

web aug 8 2013 applied statistics for engineers and scientists jay l devore nicholas r farnum jimmy a doi cengage learning aug 8 2013 mathematics 656 pages this concise book for engineering

applied statistics for engineers and scientists alibris - Apr 03 2022

web buy applied statistics for engineers and scientists by jay l devore nicholas r farnum online at alibris we have new and used copies available in 3 editions starting at 1 49 shop now

applied statistics for engineers and scientists with cd rom devore - Jun 05 2022

web applied statistics for engineers and scientists with cd rom by devore jay l farnum nicholas r isbn 10 0534467199 isbn 13 9780534467197 cengage learning 2004 hardcover

applied statistics for engineers and scientists devore jay - Feb 13 2023

web this concise book for engineering and sciences students emphasizes modern statistical methodology and data analysis applied statistics for engineers and scientists emphasizes application of methods to real problems with real examples throughout available with infotrac student collections gocengage com infotrac

applied statistics for engineers and scientists 3rd edition chegg - Jul 06 2022

web applied statistics for engineers and scientists 3rd edition we have solutions for your book this problem has been solved

problem 1e chapter ch1 problem 1e step by step solution step 1 of 4 the given information is related to beams a construct a stem and left diagram for the given strength data for beams

applied statistics for engineers and scientists 1st edition - May 04 2022

web mar 5 1999 jay devore is professor emeritus of statistics at california polytechnic state university he earned his undergraduate degree in engineering science from the university of california at berkeley spent a year at the university of sheffield in england and finished his ph d in statistics at stanford university

applied statistics for engineers and scientists 3rd edition devore - Mar 14 2023

web applied statistics for engineers and scientists emphasizes application of methods to real problems with real examples throughout available with infotrac student collections gocengage com infotrac about the author jay devore is professor emeritus of statistics at california polytechnic state university

applied statistics for engineers and scientists searchworks catalog - May 16 2023

web this concise book for engineering and sciences students emphasizes modern statistical methodology and data analysis applied statistics for engineers and scientists emphasizes application of methods to

applied statistics for engineers and scientists hardcover - Apr 15 2023

web buy applied statistics for engineers and scientists 3 by devore jay farnum nicholas doi jimmy isbn 9781133111368 from amazon s book store everyday low prices and free delivery on eligible orders

applied statistics for engineers and scientists goodreads - Dec 11 2022

web mar 5 1999 applied statistics for engineers and scientists is ideal for one term courses that cover probability only to the extent that it is needed for inference the authors emphasize application of methods to real problems with real examples throughout