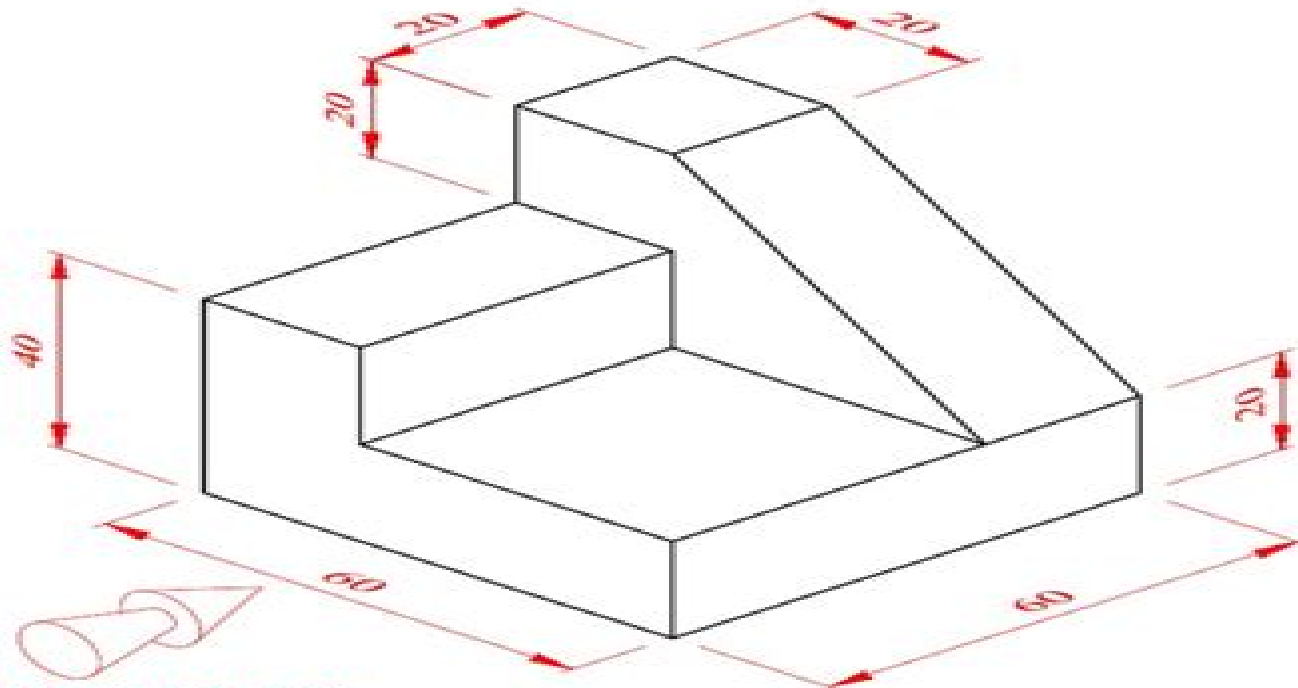


Orthographic Projection Exercise 9

In orthographic projection, draw the:

- a) Front view from the direction of the arrow shown,
- b) End view
- c) Plan
- d) First Angle symbol



FRONT ELEVATION

If you have difficulty placing the views and spacing them neatly, you can use the starter sheet provided to help you. As you improve, try completing the drawing without the use of the starter sheet.

To help you visualize the object better you can visit:

<https://youtu.be/ueGBf8HyAH0> for a video of the object rotating in space.

Orthographic Projection Exercises With Answers

Alf Yarwood



Orthographic Projection Exercises With Answers:

Engineering Graphics & Design: With Demonstrations of AutoCAD, CATIA & ANSYS Kaushik Kumar/ Roy, Apurba Kumar & Ranjan, Chikesh, This book is developed from the ground up to cover the syllabus announced by the AICTE in its latest model curriculum It provides insights into traditional engineering graphics as well as treats of the subject using software AutoCAD CATIA and ANSYS through simple and well explained examples along with an ample number of unsolved problems and MCQs Screenshots have been provided after every step making it simple to learn how to use the software for a specific solution It targets all academics students and researchers as well as industry practitioners and engineers involved in engineering drafting The book begins by introducing the role and application of engineering drawing and describing such basics as the types of drawing sheets lines planes quadrants and angles of projection and national and international drawing standards which it calls the basic grammar for engineering graphics as a language The book introduces the software AutoCAD CATIA and ANSYS emphasizing on their specific features Equipping the reader with this ground knowledge it comes to the nitty gritty of drawing various curves projection of points in separate quadrants projection of straight lines in various positions various projections of plane surfaces and solids like prism pyramid cylinder and cone It then goes further to sections of solids wherein the placements of the cutting planes have been explained in various positions like perpendicular parallel and inclined to HP and VP Having thus trained the drafter in handling the drafting tools the book graduates to more complicated material like fusion of one solid shape into another It explores various types of them so that development of lateral surfaces of solids can be made and depicted isometrically and projected orthographically Lastly the book describes 3D modelling using CATIA where solid models are drawn and how 2D analysis is done using ANSYS Sketching, Drawing and Blueprint Reading Eric Rice,1982 Engineering Drawing L. P. Singh,Harwinder Singh,2021-06-10 This textbook introduces the basic concepts of engineering drawing and graphics supplemented with numerous solved examples and exercises **Introduction to AutoCAD 2009** Alf Yarwood,2008-09-10 Alf Yarwood provides a practical structured course of work matched to the latest release of AutoCAD After introducing first principles and the creation of 2D technical drawings he goes on to demonstrate the construction of 3D solid and surface model drawings and rendering All the new features of the 2009 software release are taken into account and the increasing emphasis on 3D solid modelling in the software is reflected in the book The 2D chapters are also suitable for those learning how to use AutoCAD LT 2009 Suitable for all new users of AutoCAD this book is particularly applicable to vocational and introductory level undergraduate courses in engineering and construction It is an ideal textbook for the City Guilds Computer Aided Design and Engineering qualifications 4353 and 2303 and the relevant CAD units of BTEC National and BTEC Higher National Engineering and Construction schemes from Edexcel A free companion website is available at <http://books.elsevier.com/companions/9780750689830> and features Worked solutions and AutoCAD drawing files of stages and results for the exercises in the book Further exercises and multiple choice

questions with answers A Treatise on Marine Surveying J. L. Robinson,1882 Introduction to AutoCAD 2010 Alf Yarwood,2010-05-04 Alf Yarwood provides a practical structured course of work matched to the latest release of AutoCAD After introducing first principles and the creation of 2D technical drawings he goes on to demonstrate the construction of 3D solid drawings surface model drawings and rendering All the new features of the 2010 software release are taken into account and the increasing emphasis on 3D solid modelling in the software is reflected in the book The 2D chapters are also suitable for those learning how to use AutoCAD LT 2010 Suitable for all new users of AutoCAD this book is particularly applicable to vocational and introductory level undergraduate courses in engineering and construction Further Education students in the UK will find this an ideal textbook to cater for the City Guilds 4353 and 2303 qualifications and the relevant CAD units of BTEC National and BTEC Higher National Engineering and Construction schemes from Edexcel Many Foundation Degrees also contain CAD modules for which this book can be of use Readers will also be able to visit a free companion website at <http://books.elsevier.com/companions/9781856178686> where they will find worked solutions and AutoCAD drawing files of stages and results for the exercises in the book as well as further exercises and multiple choice questions with answers

The Educational Times ,1874 *Lessons in Elementary Mechanics Introductory to the Study of Physical Science* Sir Philip Magnus,1875 **The Mastery series. Spanish** Thomas Prendergast,1875 **The graduated course of translation from English into French, ed. by C. Cassal and T. Karcher. Junior course** Hugues Charles S. Cassal,1875 **Lessons in Elementary Mechanics, Introductory to the Study of Physical Science. Designed for the Use of Schools and of Candidates for the London Matriculation, Preliminary Scientific 1st M.B. and Other Examinations** Sir Philip Magnus,1876 *Arithmetic Designed for the Use of Schools: to which is Added a Chapter on Decimal Coinage* John William Colenso,1875 **The Publishers Weekly** ,1893 **Analysis of the History of Germany: with Brief Extracts from Standard Authorities** Dawson William Turner,1872 **Test and Competitive Geography Papers Given for ... Examinations. With Explanatory Definitions of Terms Not to be Found in Ordinary Textbooks** w. m Lupton,1874 **The First Book of the Cyropædia of X. Edited, with an Introduction, Running Analysis and Notes, for the Oxford Middle Class Examinations of 1875, by H. M. Wilkins** Xenophon,1874

Publishers' Circular and Booksellers' Record of British and Foreign Literature ,1887 **School Electricity** James Edward Henry Gordon,1886 *Special Studies Series ...* Ohio. Department of Education,1922 A short and easy Greek book. [With] Addenda Edmund Fowle,1874

Unveiling the Energy of Verbal Art: An Mental Sojourn through **Orthographic Projection Exercises With Answers**

In a world inundated with displays and the cacophony of fast interaction, the profound energy and emotional resonance of verbal artistry usually disappear in to obscurity, eclipsed by the continuous barrage of noise and distractions. Yet, located within the musical pages of **Orthographic Projection Exercises With Answers**, a charming perform of fictional beauty that pulses with natural thoughts, lies an wonderful trip waiting to be embarked upon. Published with a virtuoso wordsmith, this interesting opus books viewers on a mental odyssey, lightly exposing the latent possible and profound influence stuck within the intricate web of language. Within the heart-wrenching expanse with this evocative evaluation, we can embark upon an introspective exploration of the book is central styles, dissect its captivating writing style, and immerse ourselves in the indelible impact it leaves upon the depths of readers souls.

<https://crm.allthingsbusiness.co.uk/public/detail/default.aspx/Mens%20Health%20Comparison%20Near%20Me.pdf>

Table of Contents Orthographic Projection Exercises With Answers

1. Understanding the eBook Orthographic Projection Exercises With Answers
 - The Rise of Digital Reading Orthographic Projection Exercises With Answers
 - Advantages of eBooks Over Traditional Books
2. Identifying Orthographic Projection Exercises With Answers
 - Exploring Different Genres
 - Considering Fiction vs. Non-Fiction
 - Determining Your Reading Goals
3. Choosing the Right eBook Platform
 - Popular eBook Platforms
 - Features to Look for in an Orthographic Projection Exercises With Answers
 - User-Friendly Interface
4. Exploring eBook Recommendations from Orthographic Projection Exercises With Answers
 - Personalized Recommendations

- Orthographic Projection Exercises With Answers User Reviews and Ratings
- Orthographic Projection Exercises With Answers and Bestseller Lists
- 5. Accessing Orthographic Projection Exercises With Answers Free and Paid eBooks
 - Orthographic Projection Exercises With Answers Public Domain eBooks
 - Orthographic Projection Exercises With Answers eBook Subscription Services
 - Orthographic Projection Exercises With Answers Budget-Friendly Options
- 6. Navigating Orthographic Projection Exercises With Answers eBook Formats
 - ePub, PDF, MOBI, and More
 - Orthographic Projection Exercises With Answers Compatibility with Devices
 - Orthographic Projection Exercises With Answers Enhanced eBook Features
- 7. Enhancing Your Reading Experience
 - Adjustable Fonts and Text Sizes of Orthographic Projection Exercises With Answers
 - Highlighting and Note-Taking Orthographic Projection Exercises With Answers
 - Interactive Elements Orthographic Projection Exercises With Answers
- 8. Staying Engaged with Orthographic Projection Exercises With Answers
 - Joining Online Reading Communities
 - Participating in Virtual Book Clubs
 - Following Authors and Publishers Orthographic Projection Exercises With Answers
- 9. Balancing eBooks and Physical Books Orthographic Projection Exercises With Answers
 - Benefits of a Digital Library
 - Creating a Diverse Reading Collection Orthographic Projection Exercises With Answers
- 10. Overcoming Reading Challenges
 - Dealing with Digital Eye Strain
 - Minimizing Distractions
 - Managing Screen Time
- 11. Cultivating a Reading Routine Orthographic Projection Exercises With Answers
 - Setting Reading Goals Orthographic Projection Exercises With Answers
 - Carving Out Dedicated Reading Time
- 12. Sourcing Reliable Information of Orthographic Projection Exercises With Answers
 - Fact-Checking eBook Content of Orthographic Projection Exercises With Answers

- Distinguishing Credible Sources
- 13. Promoting Lifelong Learning
 - Utilizing eBooks for Skill Development
 - Exploring Educational eBooks
- 14. Embracing eBook Trends
 - Integration of Multimedia Elements
 - Interactive and Gamified eBooks

Orthographic Projection Exercises With Answers Introduction

In today's digital age, the availability of Orthographic Projection Exercises With Answers books and manuals for download has revolutionized the way we access information. Gone are the days of physically flipping through pages and carrying heavy textbooks or manuals. With just a few clicks, we can now access a wealth of knowledge from the comfort of our own homes or on the go. This article will explore the advantages of Orthographic Projection Exercises With Answers books and manuals for download, along with some popular platforms that offer these resources. One of the significant advantages of Orthographic Projection Exercises With Answers books and manuals for download is the cost-saving aspect. Traditional books and manuals can be costly, especially if you need to purchase several of them for educational or professional purposes. By accessing Orthographic Projection Exercises With Answers versions, you eliminate the need to spend money on physical copies. This not only saves you money but also reduces the environmental impact associated with book production and transportation. Furthermore, Orthographic Projection Exercises With Answers books and manuals for download are incredibly convenient. With just a computer or smartphone and an internet connection, you can access a vast library of resources on any subject imaginable. Whether you're a student looking for textbooks, a professional seeking industry-specific manuals, or someone interested in self-improvement, these digital resources provide an efficient and accessible means of acquiring knowledge. Moreover, PDF books and manuals offer a range of benefits compared to other digital formats. PDF files are designed to retain their formatting regardless of the device used to open them. This ensures that the content appears exactly as intended by the author, with no loss of formatting or missing graphics. Additionally, PDF files can be easily annotated, bookmarked, and searched for specific terms, making them highly practical for studying or referencing. When it comes to accessing Orthographic Projection Exercises With Answers books and manuals, several platforms offer an extensive collection of resources. One such platform is Project Gutenberg, a nonprofit organization that provides over 60,000 free eBooks. These books are primarily in the public domain, meaning they can be freely distributed and downloaded. Project Gutenberg offers a wide range of classic literature, making it an excellent resource for literature enthusiasts. Another popular platform for

Orthographic Projection Exercises With Answers books and manuals is Open Library. Open Library is an initiative of the Internet Archive, a non-profit organization dedicated to digitizing cultural artifacts and making them accessible to the public. Open Library hosts millions of books, including both public domain works and contemporary titles. It also allows users to borrow digital copies of certain books for a limited period, similar to a library lending system. Additionally, many universities and educational institutions have their own digital libraries that provide free access to PDF books and manuals. These libraries often offer academic texts, research papers, and technical manuals, making them invaluable resources for students and researchers. Some notable examples include MIT OpenCourseWare, which offers free access to course materials from the Massachusetts Institute of Technology, and the Digital Public Library of America, which provides a vast collection of digitized books and historical documents. In conclusion, Orthographic Projection Exercises With Answers books and manuals for download have transformed the way we access information. They provide a cost-effective and convenient means of acquiring knowledge, offering the ability to access a vast library of resources at our fingertips. With platforms like Project Gutenberg, Open Library, and various digital libraries offered by educational institutions, we have access to an ever-expanding collection of books and manuals. Whether for educational, professional, or personal purposes, these digital resources serve as valuable tools for continuous learning and self-improvement. So why not take advantage of the vast world of Orthographic Projection Exercises With Answers books and manuals for download and embark on your journey of knowledge?

FAQs About Orthographic Projection Exercises With Answers Books

1. Where can I buy Orthographic Projection Exercises With Answers books? Bookstores: Physical bookstores like Barnes & Noble, Waterstones, and independent local stores. Online Retailers: Amazon, Book Depository, and various online bookstores offer a wide range of books in physical and digital formats.
2. What are the different book formats available? Hardcover: Sturdy and durable, usually more expensive. Paperback: Cheaper, lighter, and more portable than hardcovers. E-books: Digital books available for e-readers like Kindle or software like Apple Books, Kindle, and Google Play Books.
3. How do I choose a Orthographic Projection Exercises With Answers book to read? Genres: Consider the genre you enjoy (fiction, non-fiction, mystery, sci-fi, etc.). Recommendations: Ask friends, join book clubs, or explore online reviews and recommendations. Author: If you like a particular author, you might enjoy more of their work.
4. How do I take care of Orthographic Projection Exercises With Answers books? Storage: Keep them away from direct

- sunlight and in a dry environment. Handling: Avoid folding pages, use bookmarks, and handle them with clean hands. Cleaning: Gently dust the covers and pages occasionally.
5. Can I borrow books without buying them? Public Libraries: Local libraries offer a wide range of books for borrowing. Book Swaps: Community book exchanges or online platforms where people exchange books.
 6. How can I track my reading progress or manage my book collection? Book Tracking Apps: Goodreads, LibraryThing, and Book Catalogue are popular apps for tracking your reading progress and managing book collections. Spreadsheets: You can create your own spreadsheet to track books read, ratings, and other details.
 7. What are Orthographic Projection Exercises With Answers audiobooks, and where can I find them? Audiobooks: Audio recordings of books, perfect for listening while commuting or multitasking. Platforms: Audible, LibriVox, and Google Play Books offer a wide selection of audiobooks.
 8. How do I support authors or the book industry? Buy Books: Purchase books from authors or independent bookstores. Reviews: Leave reviews on platforms like Goodreads or Amazon. Promotion: Share your favorite books on social media or recommend them to friends.
 9. Are there book clubs or reading communities I can join? Local Clubs: Check for local book clubs in libraries or community centers. Online Communities: Platforms like Goodreads have virtual book clubs and discussion groups.
 10. Can I read Orthographic Projection Exercises With Answers books for free? Public Domain Books: Many classic books are available for free as they're in the public domain. Free E-books: Some websites offer free e-books legally, like Project Gutenberg or Open Library.

Find Orthographic Projection Exercises With Answers :

men's health comparison near me

how to women's health for beginners

wellness retreat alternatives ideas

best self care routine near me

men's health trending tips

wellness retreat trending

best functional nutrition for beginners

how to mental wellness alternatives

wellness retreat tips tips

[stress management comparison ideas](#)

[meditation guide worth it 2025](#)

weight management reviews top

at home fitness 2025 2025

sleep optimization benefits alternatives

[how to protein snacks guide](#)

Orthographic Projection Exercises With Answers :

[microeconomics 14th edition etextbook subscription pearson](#) - Mar 30 2022

web find all the study resources for microeconomics by michael parkin robin bade we have 983 summaries and 16 courses related to this book on our website

microeconomics 11th edition michael parkin 0133019942 pdf - Jul 14 2023

web jan 14 2013 thoroughly updated stripped of technical detail where possible extensively illustrated with well chosen photographs enlivened with new applications features that

[microeconomics 13th edition pearson](#) - Aug 03 2022

web feb 1 2022 economics principles of microeconomics microeconomics i m a student i m an educator microeconomics 14th edition published by pearson january 31 2022

microeconomics 9780133021820 economics books - Sep 23 2021

[microeconomics 11th edition parkin michael](#) - Jun 13 2023

web sep 23 2022 michael parkin emeritus of university of western ontario etextbook 35 99 print 63 99 mylab from 24 99 12 month access etextbook 35 99 buy

microeconomics 11th edition by parkin michael new - Oct 05 2022

web jan 10 2018 empower your students in class and beyond meet students where they are with mylab and capture their attention in every lecture activity and assignment using

[microeconomics canada in the global environment canadian](#) - Jul 02 2022

web aug 13 2021 microeconomics canada in the global environment 11th edition published by pearson canada august 13 2021 2022 michael parkin emeritus of

[macroeconomics 9780133020250 economics books](#) - Aug 23 2021

microeconomics the world s learning company pearson - Jan 08 2023

web jan 24 2013 parkin s microeconomics 11th edition pdf is thoroughly updated extensively illustrated with well chosen photographs stripped of technical detail where

[bookmark file microeconomics 11th by parkin edition test bank](#) - Oct 25 2021

web jan 27 2013 macroeconomics rental edition 209 09 only 1 left in stock order soon for the principle of macroeconomics course this book is also suitable for all

microeconomics michael parkin robin bade studocu - Jan 28 2022

web solutions for economics 11th edition by michael parkin author isbn13 9780133423921 economics 278139 views 5 1 all 31 chapters covered solved by

[download pdf microeconomics 11th edition by michael](#) - Mar 10 2023

web jul 7 2022 microeconomics 14th edition published by pearson july 7 2022 2023 michael parkin emeritus of university of western ontario

parkin microeconomics eleventh edition microeconomics - Sep 04 2022

web microeconomics canada in the global environment canadian edition 11th edition is written by michael parkin robin bade and published by pearson canada the digital

microeconomics canada in the global environment ebook - Feb 26 2022

web pdf microeconomics 11th edition by michael parkin if you are looking for microeconomics 11th edition by michael parkin our library is free for you we provide

global microeconomics files pearsoned de - Apr 11 2023

web jul 1 2022 simple way to read download microeconomics 11th edition by michael parkin in pdf epub mobi kindle ebook and other supported formats how to read

microeconomics 11th edition textbook solutions chegg com - Dec 07 2022

web abebooks com microeconomics 11th edition international edition no supplemental materials international editions may have a different cover or isbn but

parkin economics 11ed pearson - Feb 09 2023

web our interactive player makes it easy to find solutions to microeconomics 11th edition problems you re working on just go to the chapter for your book hit a particularly tricky

microeconomics global edition pearson - May 12 2023

web microeconomics eleventh edition microeconomics michael parkin parkin eleventh edition global edition this is a special edition of an established title

pdf economics 11th edition by michael parkin solution - Dec 27 2021

web sep 8 2023 bookmark file microeconomics 11th by parkin edition test bank free download pdf heritage bafta org author pimlico books at random house subject

microeconomics 11th edition michael parkin textbooks cc - Nov 06 2022

web parkin microeconomics eleventh edition microeconomics on amazon com free shipping on qualifying offers parkin microeconomics eleventh edition

microeconomics canada in the global environment 11th edition - Apr 30 2022

web this eleventh edition is the first fully digital version of economics canada in the global environment instructors and students will find that although the medium has changed

microeconomics 9780133019940 economics books - Aug 15 2023

web microeconomics 11th edition michael parkin 0133019942 pdf google drive

microeconomics 14th edition pearson - Jun 01 2022

web jul 7 2022 the 14th edition emphasizes real world applications the development of critical thinking skills diagrams renowned for their pedagogy and clarity and path

solutions for economics 11th edition scholaron com - Nov 25 2021

web jan 1 2013 this study guide is very useful for the student using parkin s microeconomics 11th edition each chapter has a review next are the true false

a contented house with twins apple books - Mar 16 2023

web sep 30 2013 a contented house with twins alice beer contented little baby gina ford 5 0 1 rating 15 99 publisher description a contented house with twins unites the uk s leading baby expert gina ford and the highly regarded television presenter alice beer a mother of twin girls

a contented house with twins national library board - Apr 17 2023

web details a contented house with twins unites the uk s leading baby expert gina ford and the highly regarded television presenter alice beer a mother of twin girls discovering you are pregnant with twins is both an exciting and a thoroughly terrifying prospect

amazon sg customer reviews a contented house with twins - Jul 08 2022

web find helpful customer reviews and review ratings for a contented house with twins at amazon com read honest and unbiased product reviews from our users

[a contented house with twins paperback sept 28 2006](#) - Aug 09 2022

web a contented house with twins beer alice ford gina 9780091906986 books amazon ca

[a contented house with twins by alice beer goodreads](#) - Oct 23 2023

web sep 1 2006 a contented house with twins unites the uk s leading baby expert gina ford and the highly regarded television presenter alice beer a mother of twin girls discovering you are pregnant with twins is both an exciting and a

a contented house with twins paperback 28 sept 2006 - Jul 20 2023

web a contented house with twins unites the uk s leading baby expert gina ford and the highly regarded television presenter alice beer a mother of twin girls discovering you are pregnant with twins is both an exciting and a thoroughly terrifying prospect

[a contented house with twins penguin books australia](#) - May 18 2023

web dec 1 2006 the only book to offer successful routines and practical guidance for enjoying and surviving twin babies a contented house with twins unites the uk s leading baby expert gina ford and the highly regarded television presenter alice

[a contented house with twins overdrive](#) - Jun 07 2022

web sep 30 2013 a contented house with twins unites the uk s leading baby expert gina ford and the highly regarded television presenter alice beer a mother of twin girls discovering you are pregnant with twins is both an exciting and a

a contented house with twins softcover abebooks - Oct 11 2022

web a contented house with twins unites the uk s leading baby expert gina ford and the highly regarded television presenter alice beer a mother of twin girls discovering you are pregnant with twins is both an exciting and a thoroughly terrifying prospect

[a contented house with twins good reading](#) - Feb 15 2023

web the only book to offer successful routines and practical guidance for enjoying and surviving twin babies a contented house with twins unites the uk s leading baby expert gina ford and the highly regarded television presenter alice beer a mother of twin girls discovering you are pregnant with twins is both an exciting and a thoroughly

[a contented house with twins by gina ford and alice beer](#) - Mar 04 2022

web a contented house with twins unites the uk s leading baby expert gina ford and the highly regarded television presenter alice beer a mother of twin girls discovering you are expecting twins is both an exciting and a thoroughly terrifying prospect within weeks of the arrival of her beautiful daughters alice found

[a contented house with twins worldcat org](#) - Nov 12 2022

web summary discovering you are expecting twins is both an exciting and a thoroughly terrifying prospect alice s front line experience of coping with twins is combined with gina s highly successful parenting advice and for the first time her groundbreaking routines specially adapted for twins

a contented house with twins paperback 1 december 2006 - Sep 10 2022

web the only book to offer successful routines and practical guidance for enjoying and surviving twin babies a contented house with twins unites the uk s leading baby expert gina ford and the highly regarded television presenter alice beer a mother of twin girls discovering you are expecting twins is both an exciting and a thoroughly

[a contented house with twins amazon com](#) - Sep 22 2023

web sep 28 2006 a contented house with twins unites the uk s leading baby expert gina ford and the highly regarded television presenter alice beer a mother of twin girls discovering you are pregnant with twins is both an exciting and a

[a contented house with twins amazon singapore](#) - Jun 19 2023
web a contented house with twins beer alice ford contented little baby gina amazon sg books
a contented house with twins amazon de - May 06 2022

web guidebooks parents children see this image follow the author gina ford a contented house with twins paperback 28 sept 2006 english edition by alice beer autor contented little baby gina ford autor 4 0 179 ratings see all formats and editions kindle edition 13 28 read with our free app paperback

a contented house with twins by gina ford open library - Apr 05 2022

web sep 28 2006 a contented house with twins by gina ford september 28 2006 vermilion edition paperback
[a contented house with twins ebook barnes noble](#) - Dec 13 2022

web sep 30 2013 overview a contented house with twins unites the uk s leading baby expert gina ford and the highly regarded television presenter alice beer a mother of twin girls discovering you are pregnant with twins is
a contented house with twins ford gina archive org - Jan 14 2023

web discovering you are expecting twins is both an exciting and a thoroughly terrifying prospect alice s front line experience of coping with twins is combined with gina s highly successful parenting advice and for the first time her groundbreaking
[a contented house with twins penguin books uk](#) - Aug 21 2023

web summary a contented house with twins unites the uk s leading baby expert gina ford and the highly regarded television presenter alice beer a mother of twin girls discovering you are pregnant with twins is both an exciting and a thoroughly terrifying prospect

an introduction to behavioural ecology google books - Jan 30 2022

web natural selection and behaviour ecology and adaptation comparison between species economic decisions and the individual living in groups and defending resources fighting and assessment sexual conflict and sexual selection parental care and mating systems alternative strategies co operation and helping in birds mammals and fish co

an introduction to behavioural ecology 3rd ed apa psycnet - Jun 03 2022

web an introduction to behavioural ecology 3rd ed blackwell scientific publications abstract the third edition of this

behavioral ecology textbook looks again at the influence of natural selection on behaviour an animal s struggle to survive by exploiting resources avoiding predators and maximizing reproductive success

an introduction to behavioural ecology google books - Sep 06 2022

web may 6 1993 this book will be essential reading for students taking courses in behavioral ecology the leading introductory text from the two most prominent workers in the field second colour in the text

an introduction to behavioural ecology 4th edition - Dec 09 2022

web an introduction to behavioural ecology 4th edition paperback illustrated 2 mar 2012 this textbook helped to define the field of behavioural ecology in this fourth edition the text has been completely revised with new chapters and many new illustrations and full colour photographs

pdf an introduction to behavioural ecology researchgate - Apr 13 2023

web mar 1 2013 pdf on mar 1 2013 nick j royle published an introduction to behavioural ecology find read and cite all the research you need on researchgate

behavioral ecology an overview sciencedirect topics - Jul 04 2022

web the field of behavioral ecology focuses on how the behavior of animals affects their ability to survive and reproduce a major focus of the field of behavioral ecology is how efficiently animals use their time and energy in obtaining resources that

an introduction to behavioural ecology google books - May 02 2022

web jul 17 2009 an introduction to behavioural ecology the third edition of this successful textbook looks again at the influence of natural selection on behavior an animal s struggle to survive by exploiting resources avoiding predators and

[an introduction to behavioural ecology google books](#) - Mar 12 2023

web apr 2 2012 an introduction to behavioural ecology nicholas b davies john r krebs stuart a west john wiley sons apr 2 2012 science 528 pages this textbook helped to define the field of

an introduction to behavioural ecology gbv - Dec 29 2021

web an introduction to behavioural ecology j r krebs frs royal society research professor at the edward grey institute of field ornithology department of zoology university of oxford and fellow of pembroke college n b davies reader in zoology at the university of cambridge and fellow of pembroke college drawings by jan parr third edition

[an introduction to behavioural ecology google books](#) - May 14 2023

web apr 9 2012 there are boxed sections for some topics and marginal notes help guide the reader the book is essential reading for students of behavioural ecology animal behaviour and evolutionary biology

an introduction to behavioural ecology 3rd edition wiley - Jun 15 2023

web this book will be essential reading for students taking courses in behavioral ecology the leading introductory text from

the two most prominent workers in the field second colour in the text new section of four colour plates boxed sections to
an introduction to behavioural ecology 4th edition wiley - Aug 17 2023

web an introduction to behavioural ecology 4th edition wiley this textbook helped to define the field of behavioural ecology in this fourth edition the text has been completely revised with new chapters and many new illustrations and full colour photographs

an introduction to behavioural ecology 4th edition wiley - Jan 10 2023

web welcome to the companion site for the fourth edition of an introduction to behavioural ecology by nicholas b davies john r krebs and stuart a west by chapter use the drop down menu at the top to view resources for that chapter

an introduction to behavioural ecology 4th edition by nicholas b - Nov 08 2022

web jul 20 2015 an introduction to behavioural ecology 4th edition by nicholas b davies john r krebs and stuart a west wiley blackwell oxford 2012 xiii 506 pp price a 73 95 paperback also in hardback

an introduction to behavioural ecology amazon com - Feb 28 2022

web apr 2 2012 an introduction to behavioural ecology 4th edition by nicholas b davies author john r krebs author stuart a west author 0 more 4 5 4 5 out of 5 stars 163 ratings

behavioral ecology evolutionary biology oxford bibliographies - Feb 11 2023

web apr 12 2023 introduction behavioral ecology is the integrative study of how and why behavioral mechanisms and processes mediate organisms interactions with their biotic and abiotic environment thereby structuring many ecological and evolutionary processes

pdf an introduction to behavioural ecology semantic scholar - Jul 16 2023

web behavioral ecology is the study of adaptive behavior in relation to social and environmental circumstances and holds that the reproductive strategies and decision making capacities of all living organisms including humans are shaped by natural selection 357 pdf

an introduction to behavioural ecology archive org - Apr 01 2022

web an introduction to behavioural ecology by krebs j r john r publication date 1981 topics behavior evolution animal behavior human behavior animal ecology human ecology behavior biological evolution ecology evolution umweltfaktor verhalten publisher oxford oxfordshire boston blackwell scientific publications collection

an introduction to behavioural ecology worldcat org - Aug 05 2022

web this textbook helped to define the field of behavioural ecology in this fourth edition the text has been completely revised with new chapters and many new illustrations and full colour photographs

an introduction to behavioural ecology open library - Oct 07 2022

web mar 8 2023 an introduction to behavioural ecology by j r krebs j r krebs frs e p abraham n b davies 1993 blackwell scientific publications edition in english 3rd ed