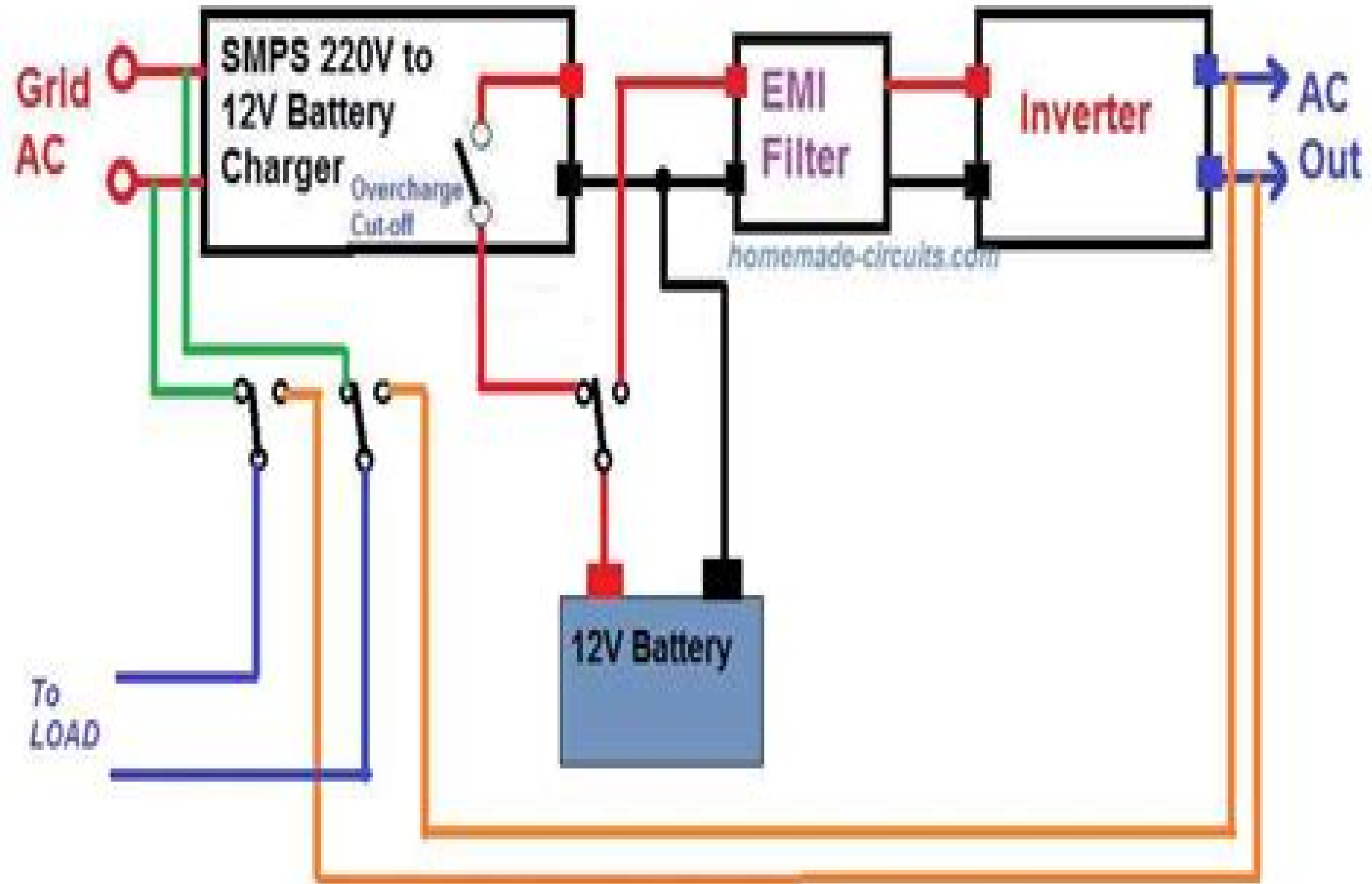


Basic Offline UPS Block Diagram (homemade-circuits.com)



Online Ups Circuit Diagram

**IEEE Industrial Electronics Society.
Conference**



Online Ups Circuit Diagram:

Design of a Non-isolated Single Phase Online UPS Topology with Parallel Battery Bank for Low Power Applications Muhammad Aamir,2018-07-14 This book presents a new topology of the non isolated online uninterruptible power supply UPS system consisting of 3 components bridgeless boost rectifier battery charger discharger and an inverter The online UPS system is considered to be the most preferable UPS due to its high level of power quality and proven reliability against all types of line disturbances and power outages The new battery charger discharger reduces the battery bank voltage which improves performance and reliability while a new control method for the inverter regulates the output voltage for both linear and nonlinear loads The proposed USP system shows an efficiency of 94% during battery mode and 92% during the normal mode of operation

2024-25 RRB ALP Stage-II Technician Electronics Mechanic Solved Papers YCT Expert Team , 2024 25 RRB ALP Stage II Technician Electronics Mechanic Solved Papers 784 1495 E This book contains 129 previous solved papers and 8181 OQ

Handbook of Local Area Networks ,1997 **Windows NT Backup & Recovery** John R. McMains,Bob Chronister,1998 exacting disaster recovery plan to protect data and systems if the worst occurs Read about real world NT diaster plans and how to apply these proven techniques to your own networks

Proceedings of the ... Annual Conference of the IEEE Industrial Electronics Society IEEE Industrial Electronics Society. Conference,2003

Power Quality in Electrical Systems Alexander Kusko,Marc T. Thompson,2007-05-31 No further information has been provided for this title

EEM ,1985 Proceedings of the ... Custom Integrated Circuits Conference ,1986 Science Abstracts ,1993 **Instrumentation in the Power Industry** ,1977 Multilevel Inverters and Their Applications in Power System Jin Wang,2005

Measurement of the Analyzing Powers and Differential Cross Section of the $2H([p \text{ with Arrow Above}],[\gamma])3He$ and $1H([d \text{ with Arrow Above}],[\gamma])3He$ Reactions Fritz Charles Goeckner,1991 **The Indian Textile Journal** ,2012 *CQ* ,1998 *Japanese Technical Abstracts* ,1987 *Amateur Radio* ,1999 *Annual Report* Synthesis Coalition,1992 **Conference Proceedings** ,2001

PICA ... ,2001 **Conference Papers** ,2001

Unveiling the Power of Verbal Art: An Emotional Sojourn through **Online Ups Circuit Diagram**

In a global inundated with monitors and the cacophony of immediate communication, the profound energy and emotional resonance of verbal artistry usually disappear in to obscurity, eclipsed by the continuous onslaught of noise and distractions. However, set within the lyrical pages of **Online Ups Circuit Diagram**, a interesting function of fictional elegance that pulses with organic thoughts, lies an unique journey waiting to be embarked upon. Written by way of a virtuoso wordsmith, this mesmerizing opus books visitors on a mental odyssey, softly exposing the latent possible and profound influence stuck within the intricate web of language. Within the heart-wrenching expanse of the evocative analysis, we can embark upon an introspective exploration of the book is key subjects, dissect their charming publishing fashion, and immerse ourselves in the indelible impact it leaves upon the depths of readers souls.

https://crm.allthingsbusiness.co.uk/data/book-search/default.aspx/nimm_uns_mit_pelemele.pdf

Table of Contents Online Ups Circuit Diagram

1. Understanding the eBook Online Ups Circuit Diagram
 - The Rise of Digital Reading Online Ups Circuit Diagram
 - Advantages of eBooks Over Traditional Books
2. Identifying Online Ups Circuit Diagram
 - Exploring Different Genres
 - Considering Fiction vs. Non-Fiction
 - Determining Your Reading Goals
3. Choosing the Right eBook Platform
 - Popular eBook Platforms
 - Features to Look for in an Online Ups Circuit Diagram
 - User-Friendly Interface
4. Exploring eBook Recommendations from Online Ups Circuit Diagram
 - Personalized Recommendations

- Online Ups Circuit Diagram User Reviews and Ratings
- Online Ups Circuit Diagram and Bestseller Lists
- 5. Accessing Online Ups Circuit Diagram Free and Paid eBooks
 - Online Ups Circuit Diagram Public Domain eBooks
 - Online Ups Circuit Diagram eBook Subscription Services
 - Online Ups Circuit Diagram Budget-Friendly Options
- 6. Navigating Online Ups Circuit Diagram eBook Formats
 - ePub, PDF, MOBI, and More
 - Online Ups Circuit Diagram Compatibility with Devices
 - Online Ups Circuit Diagram Enhanced eBook Features
- 7. Enhancing Your Reading Experience
 - Adjustable Fonts and Text Sizes of Online Ups Circuit Diagram
 - Highlighting and Note-Taking Online Ups Circuit Diagram
 - Interactive Elements Online Ups Circuit Diagram
- 8. Staying Engaged with Online Ups Circuit Diagram
 - Joining Online Reading Communities
 - Participating in Virtual Book Clubs
 - Following Authors and Publishers Online Ups Circuit Diagram
- 9. Balancing eBooks and Physical Books Online Ups Circuit Diagram
 - Benefits of a Digital Library
 - Creating a Diverse Reading Collection Online Ups Circuit Diagram
- 10. Overcoming Reading Challenges
 - Dealing with Digital Eye Strain
 - Minimizing Distractions
 - Managing Screen Time
- 11. Cultivating a Reading Routine Online Ups Circuit Diagram
 - Setting Reading Goals Online Ups Circuit Diagram
 - Carving Out Dedicated Reading Time
- 12. Sourcing Reliable Information of Online Ups Circuit Diagram
 - Fact-Checking eBook Content of Online Ups Circuit Diagram

- Distinguishing Credible Sources
- 13. Promoting Lifelong Learning
 - Utilizing eBooks for Skill Development
 - Exploring Educational eBooks
- 14. Embracing eBook Trends
 - Integration of Multimedia Elements
 - Interactive and Gamified eBooks

Online Ups Circuit Diagram Introduction

In the digital age, access to information has become easier than ever before. The ability to download Online Ups Circuit Diagram has revolutionized the way we consume written content. Whether you are a student looking for course material, an avid reader searching for your next favorite book, or a professional seeking research papers, the option to download Online Ups Circuit Diagram has opened up a world of possibilities. Downloading Online Ups Circuit Diagram provides numerous advantages over physical copies of books and documents. Firstly, it is incredibly convenient. Gone are the days of carrying around heavy textbooks or bulky folders filled with papers. With the click of a button, you can gain immediate access to valuable resources on any device. This convenience allows for efficient studying, researching, and reading on the go. Moreover, the cost-effective nature of downloading Online Ups Circuit Diagram has democratized knowledge. Traditional books and academic journals can be expensive, making it difficult for individuals with limited financial resources to access information. By offering free PDF downloads, publishers and authors are enabling a wider audience to benefit from their work. This inclusivity promotes equal opportunities for learning and personal growth. There are numerous websites and platforms where individuals can download Online Ups Circuit Diagram. These websites range from academic databases offering research papers and journals to online libraries with an expansive collection of books from various genres. Many authors and publishers also upload their work to specific websites, granting readers access to their content without any charge. These platforms not only provide access to existing literature but also serve as an excellent platform for undiscovered authors to share their work with the world. However, it is essential to be cautious while downloading Online Ups Circuit Diagram. Some websites may offer pirated or illegally obtained copies of copyrighted material. Engaging in such activities not only violates copyright laws but also undermines the efforts of authors, publishers, and researchers. To ensure ethical downloading, it is advisable to utilize reputable websites that prioritize the legal distribution of content. When downloading Online Ups Circuit Diagram, users should also consider the potential security risks associated with online platforms. Malicious actors may exploit vulnerabilities in unprotected websites to distribute malware or steal personal

information. To protect themselves, individuals should ensure their devices have reliable antivirus software installed and validate the legitimacy of the websites they are downloading from. In conclusion, the ability to download Online Ups Circuit Diagram has transformed the way we access information. With the convenience, cost-effectiveness, and accessibility it offers, free PDF downloads have become a popular choice for students, researchers, and book lovers worldwide. However, it is crucial to engage in ethical downloading practices and prioritize personal security when utilizing online platforms. By doing so, individuals can make the most of the vast array of free PDF resources available and embark on a journey of continuous learning and intellectual growth.

FAQs About Online Ups Circuit Diagram Books

1. Where can I buy Online Ups Circuit Diagram books? Bookstores: Physical bookstores like Barnes & Noble, Waterstones, and independent local stores. Online Retailers: Amazon, Book Depository, and various online bookstores offer a wide range of books in physical and digital formats.
2. What are the different book formats available? Hardcover: Sturdy and durable, usually more expensive. Paperback: Cheaper, lighter, and more portable than hardcovers. E-books: Digital books available for e-readers like Kindle or software like Apple Books, Kindle, and Google Play Books.
3. How do I choose a Online Ups Circuit Diagram book to read? Genres: Consider the genre you enjoy (fiction, non-fiction, mystery, sci-fi, etc.). Recommendations: Ask friends, join book clubs, or explore online reviews and recommendations. Author: If you like a particular author, you might enjoy more of their work.
4. How do I take care of Online Ups Circuit Diagram books? Storage: Keep them away from direct sunlight and in a dry environment. Handling: Avoid folding pages, use bookmarks, and handle them with clean hands. Cleaning: Gently dust the covers and pages occasionally.
5. Can I borrow books without buying them? Public Libraries: Local libraries offer a wide range of books for borrowing. Book Swaps: Community book exchanges or online platforms where people exchange books.
6. How can I track my reading progress or manage my book collection? Book Tracking Apps: Goodreads, LibraryThing, and Book Catalogue are popular apps for tracking your reading progress and managing book collections. Spreadsheets: You can create your own spreadsheet to track books read, ratings, and other details.
7. What are Online Ups Circuit Diagram audiobooks, and where can I find them? Audiobooks: Audio recordings of books, perfect for listening while commuting or multitasking. Platforms: Audible, LibriVox, and Google Play Books offer a wide

selection of audiobooks.

8. How do I support authors or the book industry? Buy Books: Purchase books from authors or independent bookstores. Reviews: Leave reviews on platforms like Goodreads or Amazon. Promotion: Share your favorite books on social media or recommend them to friends.
9. Are there book clubs or reading communities I can join? Local Clubs: Check for local book clubs in libraries or community centers. Online Communities: Platforms like Goodreads have virtual book clubs and discussion groups.
10. Can I read Online Ups Circuit Diagram books for free? Public Domain Books: Many classic books are available for free as they're in the public domain. Free E-books: Some websites offer free e-books legally, like Project Gutenberg or Open Library.

Find Online Ups Circuit Diagram :

~~nimm uns mit pelemele~~

~~nine learning experiences cda~~

~~nikon s8100 manual~~

~~nikon camera buying guide~~

nikon d3200 and photoshop elements for dummies ebook set

~~nikon coolpix e3200 manual~~

~~nikon d300 quick reference guide~~

~~nikon d200 repair manual~~

~~nice book world gone low price cd~~

~~night section 4 study guide answers~~

~~ninja pro regulator manual~~

nikon speedlight sb 800 flash service and repair manual

night shift baby blues scrapbook 23

nice book walking tuscany gillian price

~~nikon coolpix 880 repair manual~~

Online Ups Circuit Diagram :

postgraduate notes in orthodontics 8th edition pdf dental - Aug 08 2022

web oct 28 2020 download postgraduate notes in orthodontics 8th edition by university of bristol pdf book free this book is useful for those individuals undertaking postgraduate orthodontic teaching programmer or for those who just wish to update their knowledge this 338 page book is fully updated

bristol notes orthodontics download only - Jun 18 2023

web postgraduate notes in orthodontics jul 26 2023 headgear orthodontics sep 04 2021 current orthodontics dec 07 2021 postgraduate notes in orthodontics jun 25 2023 orthodontics in daily practice sep 16 2022 the british national bibliography jun 20 2020 orthodontics principles and practice apr 18 2020 genome informatics 2009

bristol notes orthodontics pdf orthodontics pdf pdfprof com - Jan 01 2022

web health science orthodontics pdf bristol notes orthodontics pdf pdf butchart orthodontics pdf butler orthodontics pdf buttenbaum orthodontics pdf butterfly orthodontics pdf buttner orthodontics pdf buttram orthodontics pdf can i go to the orthodontist by myself pdf science health science orthodontics

postgraduate notes in orthodontics 6th edition bristol dental - Oct 22 2023

web you can buy the postgraduate notes in orthodontics 8th edition from the university of bristol this book is useful for those individuals undertaking postgraduate orthodontic teaching programmes or for those who just wish to update their knowledge postgraduate notes in orthodontics dds morth programme 9th - May 17 2023

web may 27 2022 postgraduate notes in orthodontics dds morth programme 9th edition get access author editor in chief atack nikki publisher university of bristol isbn 987 0 9562712 5 9 price 60 383 pages fraser mcdonald european journal of orthodontics volume 44 issue 6 december 2022 pages 723 724

postgraduate notes in orthodontics 9th edition - Dec 12 2022

web mar 7 2022 postgraduate notes in orthodontics 9th edition price 6 this book is useful for those individuals undertaking postgraduate orthodontic teaching programmes or for those who just wish to update their knowledge this 387 page book is fully updated add to cart add to favorites sku 9780956271259 categories exam preparation

postgraduate notes in orthodontics pdf bone kinase scribd - Sep 09 2022

web dds morth programme 5th edition skeletal ii skeletal i skeletal ill r j university of rlf j bristol postgraduate notes in orthodontics dds morth programme these notes were originally compiled during the first msc morth programme in orthodontics at the university of bristol and subsequently revised in 2000 2002 2005 and 2008 the main editing and

pdf bristol notes orthodontics orthodontics pdf pdfprof com - May 05 2022

web bristol notes orthodontics orthodontics latest orthodonticspdf latest orthodontics pdf bda org library loans documents latest orthodontics pdf 26 avr 2022 atack n editor postgraduate notes in orthodontics 8th edition dds morth programmes university of bristol 2018 d 500 ata

undergraduate and therapists notes in orthodontics - Mar 15 2023

web may 17 2021 may 1982 british journal of orthodontics n r e robertson this short paper outlines the present undergraduate orthodontic course given in the dental school at cardiff together with the

postgraduate notes in orthodontics taylor francis online - Jul 19 2023

web dec 7 2018 postgraduate notes in orthodontics journal of orthodontics volume 45 2018 issue 4 66 views 0 crossref citations to date 0 altmetric book review postgraduate notes in orthodontics dr sophy barber page 307 published online 07 dec 2018 download citation doi org 10 1080 14653125 2018 1545179 full

uk postage postgraduate notes in orthodontics university of bristol - Feb 14 2023

web 0117 455 4095 to preview a sample chapter please follow the link below bristol ac uk dental media

pgnotesinorthodontics pdf 11 06 2021 due to the current coronavirus pandemic and the need for home working there may be a delay in receiving your order we will post the books f

postgraduate study bristol dental school university of bristol - Apr 16 2023

web postgraduate notes in orthodontics 8th edition postgraduate notes in orthodontics 8th edition was written by nikki atack consultant in orthodontics and professor jonathan sandy professor of orthodontics and former dean of faculty of health sciences

postgraduate notes in orthodontics university of bristol - Sep 21 2023

web this 382 page book is fully updated it is divided into 14 sections with a wide range of orthodontic topics covered and includes the useful question and answer section m3 authored book sn 978 0 9562712 5 9 bt postgraduate notes in orthodontics pb university of bristol cy bristol er

international postage postgraduate notes in orthodontics - Mar 03 2022

web 82 00 add to basket description to preview a sample chapter please follow the link below please make sure you have selected the correct postage for delivery before ordering your book this option is for international postage only for queries please contact pg notes bristol ac uk 0117 455 4095

postgraduate notes in orthodontics sixth edn 2012 - Oct 10 2022

web jul 23 2013 postgraduate notes in orthodontics sixth edn 2012 author university of bristol publisher university of bristol uk price 60 00 isbn 0956271219 pages 305 this is the latest

undergraduate and therapists notes in orthodontics - Aug 20 2023

web may 17 2021 undergraduate and therapists notes in orthodontics authors nikki atack kate house tony ireland clare mcnamara and jonathan sandy publisher child dental health bristol dental school university of bristol price 24 99 isbn 978 0 9562712 4 2 pages 221 constance wong

university of bristol orthodontic notes download only - Nov 11 2022

web university of bristol orthodontic notes essentials of orthodontics mar 08 2021 essential orthodontics diagnosis and treatment is designed to help dental students orthodontic residents and general dentists understand the basic concepts and procedures essential to the diagnosis treatment planning and treatment of patients who have relatively

postgraduate notes in orthodontics 6th edition bristol dental - Apr 04 2022

web you can buy the alumna notes in orthodontics 8th edition from the university of bristol this book is useful for those individuals undertaking postgraduate orthodontic teaching programmes or for those who just wish to update their knowledge dieser 338 page book is fully updated it is divided into 14 browse with a wide range of orthodontic

postgraduate notes in orthodontics dds morth programme - Jan 13 2023

web postgraduate notes in orthodontics dds morth programme google books nicola e attack division of child dental health bristol dental school university of bristol 2012 orthodontics

postgraduate notes in orthodontics 8th edition oasis dental - Jul 07 2022

web mar 19 2019 you can buy the postgraduate notes in orthodontics 8th edition from the university of bristol this book is useful for those individuals undertaking postgraduate orthodontic teaching programmes or for those who just wish to update their knowledge

postgraduate notes in orthodontics 9th edition oasis dental - Jun 06 2022

web mar 1 2022 free download pdf book postgraduate notes in orthodontics 9th edition by the university of bristol we are very pleased to announce the publication of the new updated 9th edition of postgraduate notes in orthodontics

publications university of bristol online shop - Feb 02 2022

web undergraduate therapists notes in orthodontics uk postage 24 99 add to basket description please make sure you have selected the correct postage for delivery before ordering your book this option is for uk postage only for queries please contact pg notes bristol ac uk 0117 455 4095

einfache gitarrenlieder die große liedersammlung - Aug 20 2023

web shop and buy lieder songs mit einfachen gitarrengriffen sheet music guitar sheet music book by stephan schmidt edition dux verlag at sheet music plus dv d855

lieder mit bis zu zwei akkorden 43 guitarplayerbox - Aug 08 2022

web mar 28 2006 ring bound published march 28 2006 book details editions

lieder für die gitarre für anfänger guitarplayerbox - Feb 14 2023

web lieder und songs mit einfachen gitarrengriffen die schönsten pop songs schlager und volkslieder ohne barré griffe schmidt stephan amazon co uk books

[lieder and songs mit einfachen gitarrengriffen di pdf](#) - May 05 2022

web aug 18 2023 songs used in book 1 include such hits as dust in the wind eleanor rigby every breath you take hey jude hound dog let it be ode to joy rock around

einfache gitarren lieder die jeder kennen sollte - Jun 18 2023

web lieder songs mit einfachen gitarrengriffen schmidt stephan amazon com tr kitap

stephan schmidt lieder und songs mit einfachen gitarrengriffen - Jan 13 2023

web guitarplayerbox lieder mit bis zu fünf akkorden einfache lieder für die gitarre um spielen zu lernen

lieder and songs mit einfachen gitarrengriffen di uniport edu - Nov 30 2021

lieder songs mit einfachen gitarrengriffen amazon com tr - Apr 16 2023

web lieder für die gitarre für anfänger einfache lieder für die gitarre um spielen zu lernen easier and simple electric and acoustic guitar songs lieder ohne barrégriff lieder für

lieder und songs mit einfachen gitarrengriffen die schönsten - Dec 12 2022

web share your videos with friends family and the world

lieder songs mit einfachen gitarrengriffen buy now in the - May 17 2023

web hier finden sie lieder die für stimmung und gute laune sorgen aber auch songs und chansons voller romantik und poesie von lady in black über hey jude und Über den

[beste einfache gitarrenlieder mit einfachen akkorden für anfänger](#) - Sep 09 2022

web einfache zufällige pop lieder für die gitarre guitarplayerbox pop lieder für die gitarre einfache lieder für die gitarre um spielen zu lernen

[lieder and songs mit einfachen gitarrengriffen di copy](#) - Apr 04 2022

web jun 26 2023 100 most beautiful songs ever for fingerpicking guitar songbook hal leonard corp 2014 03 01 guitar solo one hundred timeless songs from a wide

[lieder songs mit einfachen gitarrengriffen goodreads](#) - Jun 06 2022

web deutsche lieder für jung und alt encyclopædic english german and german english dictionary lied und populäre kultur song and popular culture songs mit

lieder and songs mit einfachen gitarrengriffen di uniport edu - Mar 03 2022

web aug 20 2023 songs mit einfachen gitarrengriffen di as you such as by searching the title publisher or authors of guide you really want you can discover them rapidly in the

[lieder and songs mit einfachen gitarrengriffen di uniport edu](#) - Jan 01 2022

web lieder songs mit einfachen gitarrengriffen die schönsten pop songs schlager und volkslieder ohne barré griffe
spiralbindung songbook melody chords lyrics fast

lieder and songs mit einfachen gitarrengriffen di pdf 2023 - Feb 02 2022

web lieder and songs mit einfachen gitarrengriffen di is available in our book collection an online access to it is set as public
so you can download it instantly our book servers

die besten pop lieder für die gitarre guitarplayerbox - Jul 07 2022

web lieder and songs mit einfachen gitarrengriffen di is available in our digital library an online access to it is set as public so
you can get it instantly our digital library spans in

lieder und songs mit einfachen gitarrengriffen youtube - Oct 10 2022

web guitarplayerbox lieder mit bis zu zwei akkorden einfache lieder für die gitarre um spielen zu lernen

lieder songs mit einfachen gitarrengriffen sheet music plus - Jul 19 2023

web lieder songs mit einfachen gitarrengriffen buy now in the stretta sheet music shop lieder songs mit einfachen
gitarrengriffen die schönsten pop songs schlager

lieder und songs mit einfachen gitarrengriffen - Sep 21 2023

web feb 4 2013 wenn du bereits gelernt hast wie du deine ersten gitarrenakkorde spielst kannst du dich bereits an die
ersten einfachen gitarrenlieder wagen songs für

lieder mit bis zu fünf akkorden 690 guitarplayerbox - Nov 11 2022

web aug 22 2021 sweet home alabama ist einer der besten songs um ihre fähigkeiten als gitarrist zu verbessern dieses lied
kann leicht gespielt werden oder nicht wenn sie

lieder songs mit einfachen gitarrengriffen amazon de - Mar 15 2023

web sheet music for stephan schmidt lieder und songs mit einfachen gitarrengriffen buy online guitar gtr published by dux
edition composer schmidt stephan

lieder songs mit einfachen gitarrengriffen buy now in the - Oct 30 2021

section 2 1 properties of matter flashcards quizlet - Jan 31 2023

web section 2 1 properties of matter 4 9 11 reviews the of an object is a measure of the amount of matter the object contains
click the card to flip

[section 2 1 properties of matter pages 39 42](#) - Sep 07 2023

web this section helps you distinguish extensive from intensive properties and identify substances by their properties it
teaches you how to differentiate the three states of

chapter 2 section 2 properties of matter flashcards quizlet - Jul 05 2023

web materials in general the properties of an object are determined by the properties of the the object is made of measured many of the physical properties of materials that

section 2 properties of matter answer key pdf stage rcm org - Dec 18 2021

web properties of matter gr 5 8 george graybill 2007 09 01 discover what matter is and what it isn t our resource breaks down the physical and chemical properties of matter to

ch 2 section 01 properties of matter video answer key - Feb 17 2022

web aug 2 2020 in this video i go over the practice problems from chapter 2 section 01 of the prentice hall chemistry textbook on properties of matter

chapter 2 properties of matter chapter exam study com - Jun 23 2022

web chapter 2 properties of matter chapter exam free practice test instructions choose your answer to the question and click continue to see how you did then click next

chapter 2 matter and change 11 section 2 1 properties - Jun 04 2023

web an extensive property depends on the amount of matter while an intensive property depends on the type of matter identifying substances page 40 3 matter that has a

properties of matter chapter 2 wordwise flashcards quizlet - Oct 28 2022

web solution a mixture that results when substances dissolve to form a homogeneous mixture compound a substance that can be broken down into two or more simpler substances

chapter 2 properties of matter answer key pdfiller - May 23 2022

web open your chapter 2 section 2 properties of matter answer key in the editor which is quite user friendly you may use it to blackout redact write and erase text add photos

chapter 2 properties of matter flashcards quizlet - Sep 26 2022

web this review set of vocabulary and key concepts is intended to accompany the prentice hall physical science concepts in action textbook please refer any qu hello quizlet

answer key chapter 1 chemistry 2e openstax - Jul 25 2022

web the value of an extensive property depends upon the amount of matter being considered whereas the value of an intensive property is the same regardless of the amount of

chapter 2 properties of matter section 2 1 classifying matter - May 03 2023

web properties of matter section 2 1 classifying matter pages 38 44 this section explains how materials are classified as pure substances or mixtures it discusses types of pure

1 2 properties of matter chemistry libretxts - Apr 21 2022

web jul 12 2023 all matter has physical and chemical properties physical properties are characteristics that scientists can measure without changing the composition of the

[chapter 2 properties of matter section 2 3 chemical properties](#) - Aug 06 2023

web properties of matter section 2 3 chemical properties pages 54 58 this section discusses chemical properties and describes clues that may show that a chemical

2 1 classification and properties of matter chemistry libretxts - Aug 26 2022

web nov 13 2022 properties of matter the science of chemistry developed from observations made about the nature and behavior of different kinds of matter which we refer to

[chapter 15 section 2 properties of matter answer key](#) - Mar 21 2022

web chapter 2 matter and change 15 section 2 3 elements and compounds pages 48 52 this section explains a key difference between an element and a compound and

chapter 2 section 2 properties of matter ms lori young - Nov 28 2022

web interactive reader 34 matter section 2 name class date properties of matter continued reactivity the ability of a substance to react with another substance is called

section 2 properties of matter morrison flashcards quizlet - Oct 08 2023

web miss morrison physical science section 2 properties of matter page 21 learn with flashcards games and more for free

[chapter 2 properties of matter mr baker s physical science class](#) - Apr 02 2023

web i pure substances group main idea ii elements group main idea examples of elements main idea symbols of elements main idea group group

chemistry 12th edition chapter 2 matter and change 2 1 - Dec 30 2022

web chapter 2 matter and change 2 1 properties of matter chemistry you 2 1 properties of matter 2 1 lesson check 2 1 3 4 5 6 7 8 9 2 2 mixtures chemistry you 2 2

[2 1 properties of matter section review flashcards quizlet](#) - Mar 01 2023

web properties used to describe matter can be classified as extensive or intensive the of an object is a measure of the amount of matter the object contains mass

[section 2 properties of matter answer key pdf web mei](#) - Jan 19 2022

web research in any way among them is this section 2 properties of matter answer key that can be your partner non linear optical properties of matter quantum and optical

section 2 properties of matter answer key 2022 - Nov 16 2021

web section 2 properties of matter answer key 1 section 2 properties of matter answer key register of the university of
california thermal properties of matter oxford studies