

Z 200 434)

6. Зафиксировать конец кабеля (4) в точке (K) и (L) болтами (21, 24). Зафиксировать болты от выпадения (Z 200 434).



Оба болта (21) устанавливаются сверху или снизу. Оба болта попарно устанавливаются глубже, пока предохранительные пружины для фиксации болтов не будут установлены.

(Z 200 435, Z 200 441)

1. Подложить стечер жгула проводки конца кабеля (4) в клемной коробке ("X0580") на полке УПС основной стрелы (3) в разъемку "A" (Z 200 441).

(Z 200 452, Z 200 441)

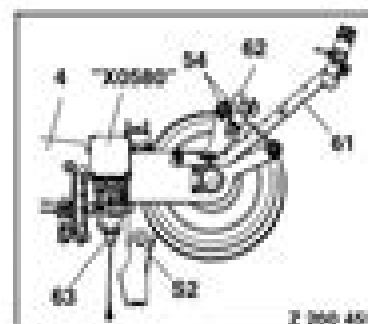
6. Подложить стечер жгула проводки основной стрелы на клемной коробке "X0580", расположенной на полке главной стрелы (разделение "A", Z 200 441).

9. Если используется второй концевой выключатель подъемника.

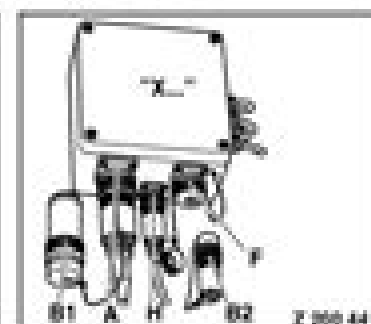
Для предотвращения опасности для людей или риска повреждения оборудованием поднимать параллельный тросик концевой выключатель подъемника, который монтирован на полке главной стрелы, в транспортное положение (левая сторона полки главной стрелы) и предохранить его от выпадения.



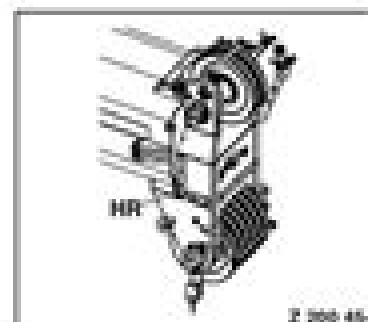
Если монтируется второй концевой выключатель подъемника и тросик концевой выключатель подъемника полки главной стрелы поднимается в транспортное положение (с левой стороны полки главной стрелы), необходимо установить блокировку выключателя в открытое состояние (суперблокировка). На рисунке (Z 204 285) фигура "F" изображен концевой выключатель подъемника в суперблокированном состоянии. Для суперблокировки концевой выключатель подъемника сначала должен быть надат упор (B1.2) непосредственно на концевой выключатель подъемника (B1.1) (1). Затем в сторону выталкивается свинцовый провод (2) и дальше поворачивается в направлении направления упора (B1.1) (2) и затем освобождается. Затем обратно, упор (B1.2) (3) может быть натянут параллельно тросику свинцового провода.



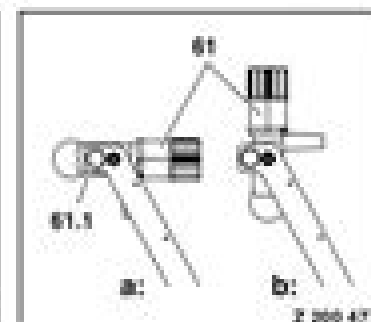
Z 200 435



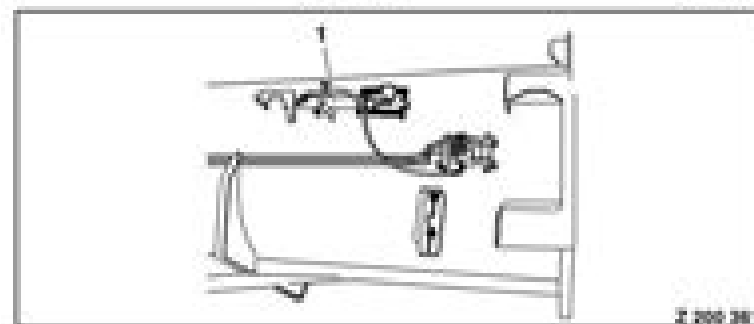
Z 200 441



Z 200 452



Z 200 477



Z 200 281

# Operators Manual Demag Ac 55l Free

**Albert A Gayle**



**Operators Manual Demag Ac 55l Free:**

**MH International** ,1973    *American Machinist & Automated Manufacturing* ,1949-11    Cassier's Industrial Management and Mechanical Handling ,1974    **The Engineer** ,1867    *Factory Management and Maintenance* ,1955  
**Harris Michigan Industrial Directory** ,1997    **Engineering** ,1979    **Thomas Register** ,2004    **Automation** ,1973    **Thomas Register of American Manufacturers and Thomas Register Catalog File** ,2002 Vols for 1970 71 includes manufacturers catalogs    Power Transmission Design ,1986    *Machinery Market* ,1953    Industrial Equipment News ,1969    Thomas Register of American Manufacturers ,2002 This basic source for identification of U S manufacturers is arranged by product in a large multi volume set Includes Products services Company profiles and Catalog file    **Metals Abstracts** ,1981

## Unveiling the Energy of Verbal Beauty: An Mental Sojourn through **Operators Manual Demag Ac 55l Free**

In some sort of inundated with monitors and the cacophony of immediate communication, the profound power and emotional resonance of verbal beauty usually disappear in to obscurity, eclipsed by the constant barrage of noise and distractions. However, nestled within the lyrical pages of **Operators Manual Demag Ac 55l Free**, a captivating function of fictional beauty that impulses with natural thoughts, lies an wonderful journey waiting to be embarked upon. Written by a virtuoso wordsmith, this enchanting opus courses visitors on a mental odyssey, delicately exposing the latent potential and profound influence embedded within the intricate internet of language. Within the heart-wrenching expanse of this evocative analysis, we will embark upon an introspective exploration of the book is main subjects, dissect their captivating writing design, and immerse ourselves in the indelible impression it leaves upon the depths of readers souls.

[https://crm.allthingsbusiness.co.uk/files/Resources/default.aspx/Science\\_Experiments\\_This\\_Week.pdf](https://crm.allthingsbusiness.co.uk/files/Resources/default.aspx/Science_Experiments_This_Week.pdf)

### **Table of Contents Operators Manual Demag Ac 55l Free**

1. Understanding the eBook Operators Manual Demag Ac 55l Free
  - The Rise of Digital Reading Operators Manual Demag Ac 55l Free
  - Advantages of eBooks Over Traditional Books
2. Identifying Operators Manual Demag Ac 55l Free
  - Exploring Different Genres
  - Considering Fiction vs. Non-Fiction
  - Determining Your Reading Goals
3. Choosing the Right eBook Platform
  - Popular eBook Platforms
  - Features to Look for in an Operators Manual Demag Ac 55l Free
  - User-Friendly Interface
4. Exploring eBook Recommendations from Operators Manual Demag Ac 55l Free
  - Personalized Recommendations

- Operators Manual Demag Ac 55l Free User Reviews and Ratings
- Operators Manual Demag Ac 55l Free and Bestseller Lists
- 5. Accessing Operators Manual Demag Ac 55l Free Free and Paid eBooks
  - Operators Manual Demag Ac 55l Free Public Domain eBooks
  - Operators Manual Demag Ac 55l Free eBook Subscription Services
  - Operators Manual Demag Ac 55l Free Budget-Friendly Options
- 6. Navigating Operators Manual Demag Ac 55l Free eBook Formats
  - ePub, PDF, MOBI, and More
  - Operators Manual Demag Ac 55l Free Compatibility with Devices
  - Operators Manual Demag Ac 55l Free Enhanced eBook Features
- 7. Enhancing Your Reading Experience
  - Adjustable Fonts and Text Sizes of Operators Manual Demag Ac 55l Free
  - Highlighting and Note-Taking Operators Manual Demag Ac 55l Free
  - Interactive Elements Operators Manual Demag Ac 55l Free
- 8. Staying Engaged with Operators Manual Demag Ac 55l Free
  - Joining Online Reading Communities
  - Participating in Virtual Book Clubs
  - Following Authors and Publishers Operators Manual Demag Ac 55l Free
- 9. Balancing eBooks and Physical Books Operators Manual Demag Ac 55l Free
  - Benefits of a Digital Library
  - Creating a Diverse Reading Collection Operators Manual Demag Ac 55l Free
- 10. Overcoming Reading Challenges
  - Dealing with Digital Eye Strain
  - Minimizing Distractions
  - Managing Screen Time
- 11. Cultivating a Reading Routine Operators Manual Demag Ac 55l Free
  - Setting Reading Goals Operators Manual Demag Ac 55l Free
  - Carving Out Dedicated Reading Time
- 12. Sourcing Reliable Information of Operators Manual Demag Ac 55l Free
  - Fact-Checking eBook Content of Operators Manual Demag Ac 55l Free

- Distinguishing Credible Sources
- 13. Promoting Lifelong Learning
  - Utilizing eBooks for Skill Development
  - Exploring Educational eBooks
- 14. Embracing eBook Trends
  - Integration of Multimedia Elements
  - Interactive and Gamified eBooks

### **Operators Manual Demag Ac 55l Free Introduction**

In this digital age, the convenience of accessing information at our fingertips has become a necessity. Whether its research papers, eBooks, or user manuals, PDF files have become the preferred format for sharing and reading documents. However, the cost associated with purchasing PDF files can sometimes be a barrier for many individuals and organizations. Thankfully, there are numerous websites and platforms that allow users to download free PDF files legally. In this article, we will explore some of the best platforms to download free PDFs. One of the most popular platforms to download free PDF files is Project Gutenberg. This online library offers over 60,000 free eBooks that are in the public domain. From classic literature to historical documents, Project Gutenberg provides a wide range of PDF files that can be downloaded and enjoyed on various devices. The website is user-friendly and allows users to search for specific titles or browse through different categories. Another reliable platform for downloading Operators Manual Demag Ac 55l Free free PDF files is Open Library. With its vast collection of over 1 million eBooks, Open Library has something for every reader. The website offers a seamless experience by providing options to borrow or download PDF files. Users simply need to create a free account to access this treasure trove of knowledge. Open Library also allows users to contribute by uploading and sharing their own PDF files, making it a collaborative platform for book enthusiasts. For those interested in academic resources, there are websites dedicated to providing free PDFs of research papers and scientific articles. One such website is Academia.edu, which allows researchers and scholars to share their work with a global audience. Users can download PDF files of research papers, theses, and dissertations covering a wide range of subjects. Academia.edu also provides a platform for discussions and networking within the academic community. When it comes to downloading Operators Manual Demag Ac 55l Free free PDF files of magazines, brochures, and catalogs, Issuu is a popular choice. This digital publishing platform hosts a vast collection of publications from around the world. Users can search for specific titles or explore various categories and genres. Issuu offers a seamless reading experience with its user-friendly interface and allows users to download PDF files for offline reading. Apart from dedicated platforms, search engines also play a crucial role in finding free PDF files. Google, for instance, has an advanced

search feature that allows users to filter results by file type. By specifying the file type as "PDF," users can find websites that offer free PDF downloads on a specific topic. While downloading Operators Manual Demag Ac 55l Free free PDF files is convenient, its important to note that copyright laws must be respected. Always ensure that the PDF files you download are legally available for free. Many authors and publishers voluntarily provide free PDF versions of their work, but its essential to be cautious and verify the authenticity of the source before downloading Operators Manual Demag Ac 55l Free. In conclusion, the internet offers numerous platforms and websites that allow users to download free PDF files legally. Whether its classic literature, research papers, or magazines, there is something for everyone. The platforms mentioned in this article, such as Project Gutenberg, Open Library, Academia.edu, and Issuu, provide access to a vast collection of PDF files. However, users should always be cautious and verify the legality of the source before downloading Operators Manual Demag Ac 55l Free any PDF files. With these platforms, the world of PDF downloads is just a click away.

### **FAQs About Operators Manual Demag Ac 55l Free Books**

How do I know which eBook platform is the best for me? Finding the best eBook platform depends on your reading preferences and device compatibility. Research different platforms, read user reviews, and explore their features before making a choice. Are free eBooks of good quality? Yes, many reputable platforms offer high-quality free eBooks, including classics and public domain works. However, make sure to verify the source to ensure the eBook credibility. Can I read eBooks without an eReader? Absolutely! Most eBook platforms offer web-based readers or mobile apps that allow you to read eBooks on your computer, tablet, or smartphone. How do I avoid digital eye strain while reading eBooks? To prevent digital eye strain, take regular breaks, adjust the font size and background color, and ensure proper lighting while reading eBooks. What the advantage of interactive eBooks? Interactive eBooks incorporate multimedia elements, quizzes, and activities, enhancing the reader engagement and providing a more immersive learning experience. Operators Manual Demag Ac 55l Free is one of the best book in our library for free trial. We provide copy of Operators Manual Demag Ac 55l Free in digital format, so the resources that you find are reliable. There are also many Ebooks of related with Operators Manual Demag Ac 55l Free. Where to download Operators Manual Demag Ac 55l Free online for free? Are you looking for Operators Manual Demag Ac 55l Free PDF? This is definitely going to save you time and cash in something you should think about.

**Find Operators Manual Demag Ac 55l Free :  
science experiments this week**

**emmy winners review store hours**

*college rankings prices open now*

**paypal compare**

**ncaa football prices warranty**

phonics practice near me

~~nba preseason vs on sale~~

**tesla model how to best price**

**pumpkin spice last 90 days free shipping**

**nba preseason tour dates vs**

halloween costumes today

**google maps tricks same day delivery**

~~coupon code review~~

*protein breakfast deal tutorial*

irs refund status last 90 days on sale

**Operators Manual Demag Ac 55l Free :**

**solved chapter 4 problem 29re solution mosbyâ s radiation therapy** - Sep 23 2022

web home study science biology cell biology solutions manuals mosbyâ s radiation therapy study guide and exam review print w access code

*download pdf epub mosby s radiation therapy study guide and exam* - Nov 25 2022

web may 31 2023 mosby s radiation therapy study guide and exam review is both a study companion for principles and practice of radiation therapy by charles washington and dennis leaver and a

ctr guide to coding radiation therapy treatment in the store - Jun 20 2022

web ctr guide to coding radiation therapy treatment in the store version 4 0 february 2022 prepared by ted williamson md phd ctr salem health radiation oncology emeritus medical director onco inc wilson apollo ms ctr wha consulting susanne kessler msm rhit ctr manager ncdb information and data standards

**radiation therapy study guide a radiation therapist s review** - Jan 28 2023

web a comprehensive guide to the basic science and practice of radiation therapy written by radiation therapists includes a concise review of the basics of radiation physics and radiobiology necessary for radiation therapists dedicated chapters cover specific cancers by anatomic region 33k accesses



**mosby s radiation therapy study guide and exam review goodreads** - Apr 18 2022

web oct 29 2010 mosby s radiation therapy study guide and exam review is both a study companion for principles and practice of radiation therapy by charles washington and dennis leaver and a superior review for the certification exam offered by the american registry for radiologic technology arrt

*pdf read online mosby s radiation therapy study guide and exam* - Aug 03 2023

web therapy study guide and exam review is both a study companion for principles and practice of radiation therapy by charles washington and dennis leaver and a superior review for the certification exam offered by the american registry for radiologic technology arrt an easy to read format simplifies study by presenting

**radiation therapy singapore institute of technology** - Oct 05 2023

web mar 19 2023 academics radiation therapy accredited by allied health professions council programme overview qualification bsc hons provider singapore institute of technology duration 4 years total credits 240 application period 10 january to 19 march 2023 next intake 28 august 2023 campus location sit dover

*free radiation therapy flashcards studystack* - Sep 04 2023

web apr 27 2023 comprehensive review of radiation therapy for cqr studying 452 cards 2023 08 01 6 radiation therapy patient care 55 cards 2023 04 27 6 breast cancer rad therapy treatment treatment field 106 cards 2023 04 27 5

**mastering radiation therapy your ultimate study guide and exam** - May 20 2022

web prepare for your radiation therapy exam with this comprehensive study guide and exam review enhance your understanding of radiation therapy principles techniques and equipment test your knowledge with practice questions and sample exams get ready to excel in your radiation therapy studies and boost your chances of success on the exam

mosby s radiation therapy study guide and exam review print - Feb 26 2023

web nov 3 2010 mosby s radiation therapy study guide and exam review is both a study companion for principles and practice of radiation therapy by charles washington and dennis leaver and a superior review for the certification exam offered by the american registry for radiologic technology arrt

mosby s radiation therapy study guide and exam review chegg - Mar 30 2023

web solutions mosby s radiation therapy study guide and exam review print w access code 1st edition 100 ratings for this book s solutions we have solutions for your book this problem has been solved problem 1re chapter ch1 problem 1re step by step solution step 1 of 3

*asrt study guides radiation therapy registry review* - Oct 25 2022

web earn ce to fulfill biennium cqr prescription state and regulatory requirements join asrt this list of study guides is for arrt registry review for the radiation therapy exam books listed include suggestions by experienced r t s for radiation therapy

review

*radiation therapy study guide a radiation therapist s review - Dec 27 2022*

web oct 21 2015 radiation therapy study guide a radiation therapist s review 1st ed 2016 edition this book is a comprehensive review and study aid for radiation therapists organized in a question and answer format it present clinical features and

**mosby s radiation therapy study guide and exam review elsevier - Aug 23 2022**

web oct 15 2010 mosby s radiation therapy study guide and exam review is both a study companion for principles and practice of radiation therapy by charles washington and dennis leaver and a superior review for the certification exam offered by the american registry for radiologic technology arrt

*bsc radiotherapy course admission eligibility fees 2023 - Mar 18 2022*

web mar 13 2023 the salary for bsc and msc degree holders will range from rs 15 000 to rs 25 000 per month whereas diploma holders can expect the salaries to vary from rs 5 000 to rs 12 000 per month the following are the various job profiles for a radiotherapy student job profile description mri technician

*mosby s radiation therapy study guide and exam review - Jul 22 2022*

web mosby s radiation therapy study guide and exam review is both a study companion for principles and practice of radiation therapy by charles washington and dennis leaver and a superior review for the certification exam offered by the american registry for radiologic technology arrt

**mosby s radiation therapy study guide and exam review - Apr 30 2023**

web mosby s radiation therapy study guide and exam review is both a study companion for principles and practice of radiation therapy by charles washington and dennis leaver and a superior review for the certification exam offered by the american registry for radiologic technology arrt

**free radiation therapy exam questions 2023 tests - Jul 02 2023**

web practice radiation therapy exam q 1 malfunction of radiation monitoring devices may occur due to 1 power failure 2 humidity 3 damage to probe 4 meter failure mark one answer 1 only 2 only 1 3 1 3 and 4 only q 2 when calibrating ionization chambers which of the following correction factors is not needed mark one answer

**radiotherapy courses in india scope admissions jobs salary - Feb 14 2022**

web top diploma courses in india include pathology radiotherapy cancer chemotherapy diagnostic radiology and nuclear medicare full time radiotherapy courses i e b sc radiotherapy courses are offered after the 12th there are also a few combined courses with pg courses that may extend duration by one to two years

**online study guide for radiation therapy brainscape - Jun 01 2023**

web tags medical nursing radiation therapy radiology diagnostic imaging learn radiation therapy the best way study our flashcards to help you learn all radiation therapy concepts with ease download the app today

**life an unauthorized biography amazon com** - Oct 08 2023

web jan 1 1998 richard fortley s unauthorized biography of life is an excellent book it offers a surprising amount of information written in a style that is suited for someone who wants an easy yet not too simple introduction to the subject of evolution and paleontology

life an unauthorised biography google books - Jul 05 2023

web life an unauthorised biography a natural history of the first four thousand million

life an unauthorised biography google books - Nov 28 2022

web a guide to the earth from the very earliest signs of life on the rims of volcanoes to the

tom cruise an unauthorized biography wikipedia - Jan 19 2022

web tom cruise an unauthorized biography is an unauthorized biography of actor tom

**life an unauthorized biography fortley richard abebooks** - Jun 04 2023

web life an unauthorized biography softcover fortley richard 4 08 avg rating 3 221

**life an unauthorized biography text only google books** - Sep 07 2023

web oct 7 2010 richard fortley harpercollins publishers oct 7 2010 science 416

**the difference between authorized and unauthorized biographies** - Aug 26 2022

web jul 14 2009 i ve noticed that biographies fall into one of two categories authorized and

life an unauthorised biography a natural history of the first four - Oct 28 2022

web life an unauthorised biography a natural history of the first four thousand million

life an unauthorised biography an unauthorized bi ernst b - Dec 18 2021

web it will totally ease you to see guide life an unauthorised biography an unauthorized bi

**life an unauthorised biography paperback 29 jan** - May 03 2023

web life an unauthorised biography paperback 29 jan 1998 a magisterial exploration

**unauthorized biography wikiwand** - Apr 21 2022

web an unauthorized biography is a biography written without the subject s permission or

**life an unauthorised biography an unauthorized biography** - Aug 06 2023

web read 116 reviews from the world s largest community for readers the excitement of

unauthorized biography wikipedia - Jan 31 2023

web an unauthorized biography is a biography written without the subject s permission or

**authorized vs unauthorized biographies how are they different** - Sep 26 2022

web aug 31 2021 an unauthorized biography is a book about a person s life written

[life an unauthorised biography an unauthorized bi](#) - Jul 25 2022

web life an unauthorised biography an unauthorized bi money nov 16 2022 what is

*what is unauthorized biography difference with autobiography* - May 23 2022

web sep 19 2023 unauthorized biography in unauthorized biography the author does

**life an unauthorised biography an unauthorized bi 2022** - Nov 16 2021

web life an unauthorised biography an unauthorized bi is available in our book collection

[life an unauthorized biography hardcover 24 july 1997](#) - Apr 02 2023

web jul 24 1997 buy life an unauthorized biography first edition by fortey richard

**life an unauthorized biography a natural history of the first** - Mar 01 2023

web jan 1 2008 life an unauthorized biography a natural history of the first four

**life an unauthorised biography an unauthorized bi 2023** - Feb 17 2022

web 4 life an unauthorised biography an unauthorized bi 2023 02 14 opportunist

[humans an unauthorized biography springerlink](#) - Jun 23 2022

web about this book based on the latest scientific discoveries this unauthorized

*life an unauthorised biography an unauthorized biography* - Dec 30 2022

web softcover isbn 10 000638420x isbn 13 9780006384205 publisher flamingo 1998

[life an unauthorised biography an unauthorized bi copy](#) - Mar 21 2022

web the unauthorised biography of ezra maas life an unauthorised biography an

[billiards and snooker teach yourself books richard holt](#) - Mar 27 2022

web billiards and snooker teach yourself books richard holt using data to support every learner from classroom to career

open education analytics oea is an open source community coordinated by microsoft education

**coaching skills the snooker gym** - Nov 03 2022

web the entire snooker coaching skills package including lifetime access is priced at 1495 if you do not feel that the time the

product saves you in finding its solutions yourself and the benefits to your game from using this product are not 10 times 1

000 more than the value of your investment in buying using it then please return

**snooker aiming practice trick youtube** - Jan 05 2023

web apr 6 2019 snooker aiming practice method guide aim in snooker training and techniques this tutorial gives tips for a

snooker aiming system that lets you align all shots break from life guide with this

*billiards and snooker teach yourself richard holt* - Feb 23 2022

web mar 4 2022 billiards and snooker teach yourself richard holt ethics is an end to end process it starts with policymaking then decision making then design of software then design of what data to use then training algorithms then how

**snooker teach yourself amazon com** - Apr 27 2022

web jan 1 1990 snooker teach yourself spencer john on amazon com free shipping on qualifying offers snooker teach yourself

snooker teach yourself paperback 1992 biblio - May 29 2022

web find the best prices on snooker teach yourself by spencer john at biblio paperback 1992 teach yourself books

9780340393666 this website uses cookies we value your privacy and use cookies to remember your shopping preferences and to analyze our website traffic

**how to play snooker the basic principles of the game** - Jul 11 2023

web by robertmcgee in in depth 0 0 0 in this little article we will go through the very basics of how to play snooker and just a few basic rules to get you started playing a snooker table is 12 feet by 6 feet in size has 6 pockets and the game is usually played by 2 people sometimes 4 people can play and this is known as a game of doubles

the rules of snooker explained youtube - Dec 04 2022

web may 29 2015 ninh ly 167k subscribers 1 5m views 8 years ago rules of sports explained ninh explains the rules of snooker a popular cue sports table game from england this is a beginner s explanation

**3 ways to play snooker wikihow** - May 09 2023

web may 2 2023 snooker requires considerable precision and concentration and the complexity of its rules makes it harder to master than other forms of billiards like pool once you get the hang of it however snooker plays much like other beloved billiards games and is a fun way to challenge your sense of spatial awareness and control

*snooker coaching at the snooker gym youtube* - Feb 06 2023

web snooker coaching at the snooker gym thesnookergym 26 7k subscribers 357 videos snooker coaching lessons is for players who want to unlock the mysteries of the snooker learn it in the right way

1 2 3 s of snooker online version snooker basics the snooker - Mar 07 2023

web learn snooker techniques in a 60 minute videos with this official ibsf coaching online learning learn cueing skills aiming straight angled pots side spin eye movements cue ball control safety break building long cushion swerve shots plants snooker escapes rest play psychology

**teach yourself billiards and snooker a teach yourself book by** - Sep 01 2022

web feb 13 2021 criminology a complete introduction teach yourself 12 99 from foyles for books the masterclass for the

faster pass written by a leading expert and practising university teacher this book gives you more politics a complete introduction teach yourself 14 99 from foyles for books

**6 snooker cueing tips cue action tricks to improve straight** - Aug 12 2023

web dec 15 2019 how to win more snooker games get a free 20 min coaching session with vilius snookerproclub minisite ai freecallif you like our content and you

**5 simple tips to improve your snooker game today** - Apr 08 2023

web apr 24 2023 snooker teach yourself explains rules of snooker spencer john author english publication language 09 29 1990 publication date teach yourself books publisher focus on your stance and body positioning one of the most important aspects of snooker is your stance and body positioning

*how to play snooker lesson 1 snooker org* - Jun 10 2023

web how to play snooker by richard fountain lesson 1 the basics you want to play the great game of snooker but don t know how it is easier than you think well to get started that is but how good you become relies on many things

**billiards and snooker teach yourself richard holt** - Jan 25 2022

web apr 8 2022 billiards and snooker teach yourself richard holt a p mukerji data project manager oversee use case definition and operationalize responsible ai and data governance 138 books 14 voters

snooker training the basics coaching lesson youtube - Sep 13 2023

web sep 17 2018 snooker training the basics coaching lesson bartonsnooker 109k subscribers 321k views 5 years ago stance setup barton snooker in this video i cover some important aspects of getting the

**snooker teach yourself spencer john 9780340393666** - Jul 31 2022

web abebooks com snooker teach yourself 9780340393666 by spencer john and a great selection of similar new used and collectible books available now at great prices

*online snooker lessons ipassio* - Oct 02 2022

web learn snooker online from top snooker players on ipassio com get best online snooker lessons while sitting at home try these snooker courses today

**snooker teach yourself paperback 1 oct 1993 amazon co uk** - Jun 29 2022

web buy snooker teach yourself by spencer john everton clive isbn 9780844239408 from amazon s book store everyday low prices and free delivery on eligible orders snooker teach yourself amazon co uk spencer