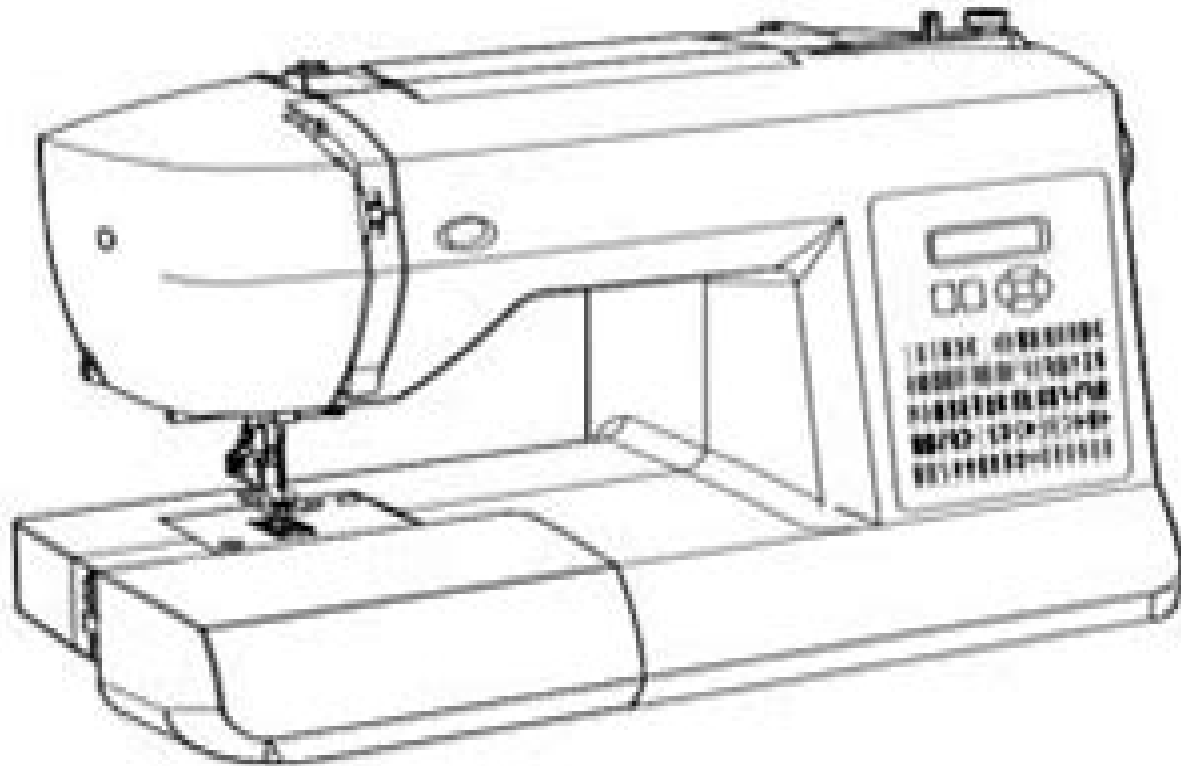


SINGER



5500/5400

6199/6180/6160

Pdf Manual Singer Brilliance 6180

Ed Bowker Staff, Staff Bowker, Ed



Pdf Manual Singer Brilliance 6180:

Books In Print 2004-2005 Ed Bowker Staff, Staff Bowker, Ed, 2004

Immerse yourself in heartwarming tales of love and emotion with Explore Love with its touching creation, Experience Love's Journey in **Pdf Manual Singer Brilliance 6180** . This emotionally charged ebook, available for download in a PDF format (PDF Size: *), is a celebration of love in all its forms. Download now and let the warmth of these stories envelop your heart.

https://crm.allthingsbusiness.co.uk/data/publication/default.aspx/Mortgage_Rates_This_Week.pdf

Table of Contents Pdf Manual Singer Brilliance 6180

1. Understanding the eBook Pdf Manual Singer Brilliance 6180
 - The Rise of Digital Reading Pdf Manual Singer Brilliance 6180
 - Advantages of eBooks Over Traditional Books
2. Identifying Pdf Manual Singer Brilliance 6180
 - Exploring Different Genres
 - Considering Fiction vs. Non-Fiction
 - Determining Your Reading Goals
3. Choosing the Right eBook Platform
 - Popular eBook Platforms
 - Features to Look for in an Pdf Manual Singer Brilliance 6180
 - User-Friendly Interface
4. Exploring eBook Recommendations from Pdf Manual Singer Brilliance 6180
 - Personalized Recommendations
 - Pdf Manual Singer Brilliance 6180 User Reviews and Ratings
 - Pdf Manual Singer Brilliance 6180 and Bestseller Lists
5. Accessing Pdf Manual Singer Brilliance 6180 Free and Paid eBooks
 - Pdf Manual Singer Brilliance 6180 Public Domain eBooks
 - Pdf Manual Singer Brilliance 6180 eBook Subscription Services
 - Pdf Manual Singer Brilliance 6180 Budget-Friendly Options
6. Navigating Pdf Manual Singer Brilliance 6180 eBook Formats

- ePub, PDF, MOBI, and More
 - Pdf Manual Singer Brilliance 6180 Compatibility with Devices
 - Pdf Manual Singer Brilliance 6180 Enhanced eBook Features
7. Enhancing Your Reading Experience
 - Adjustable Fonts and Text Sizes of Pdf Manual Singer Brilliance 6180
 - Highlighting and Note-Taking Pdf Manual Singer Brilliance 6180
 - Interactive Elements Pdf Manual Singer Brilliance 6180
 8. Staying Engaged with Pdf Manual Singer Brilliance 6180
 - Joining Online Reading Communities
 - Participating in Virtual Book Clubs
 - Following Authors and Publishers Pdf Manual Singer Brilliance 6180
 9. Balancing eBooks and Physical Books Pdf Manual Singer Brilliance 6180
 - Benefits of a Digital Library
 - Creating a Diverse Reading Collection Pdf Manual Singer Brilliance 6180
 10. Overcoming Reading Challenges
 - Dealing with Digital Eye Strain
 - Minimizing Distractions
 - Managing Screen Time
 11. Cultivating a Reading Routine Pdf Manual Singer Brilliance 6180
 - Setting Reading Goals Pdf Manual Singer Brilliance 6180
 - Carving Out Dedicated Reading Time
 12. Sourcing Reliable Information of Pdf Manual Singer Brilliance 6180
 - Fact-Checking eBook Content of Pdf Manual Singer Brilliance 6180
 - Distinguishing Credible Sources
 13. Promoting Lifelong Learning
 - Utilizing eBooks for Skill Development
 - Exploring Educational eBooks
 14. Embracing eBook Trends
 - Integration of Multimedia Elements
 - Interactive and Gamified eBooks

Pdf Manual Singer Brilliance 6180 Introduction

In today's digital age, the availability of Pdf Manual Singer Brilliance 6180 books and manuals for download has revolutionized the way we access information. Gone are the days of physically flipping through pages and carrying heavy textbooks or manuals. With just a few clicks, we can now access a wealth of knowledge from the comfort of our own homes or on the go. This article will explore the advantages of Pdf Manual Singer Brilliance 6180 books and manuals for download, along with some popular platforms that offer these resources. One of the significant advantages of Pdf Manual Singer Brilliance 6180 books and manuals for download is the cost-saving aspect. Traditional books and manuals can be costly, especially if you need to purchase several of them for educational or professional purposes. By accessing Pdf Manual Singer Brilliance 6180 versions, you eliminate the need to spend money on physical copies. This not only saves you money but also reduces the environmental impact associated with book production and transportation. Furthermore, Pdf Manual Singer Brilliance 6180 books and manuals for download are incredibly convenient. With just a computer or smartphone and an internet connection, you can access a vast library of resources on any subject imaginable. Whether you're a student looking for textbooks, a professional seeking industry-specific manuals, or someone interested in self-improvement, these digital resources provide an efficient and accessible means of acquiring knowledge. Moreover, PDF books and manuals offer a range of benefits compared to other digital formats. PDF files are designed to retain their formatting regardless of the device used to open them. This ensures that the content appears exactly as intended by the author, with no loss of formatting or missing graphics. Additionally, PDF files can be easily annotated, bookmarked, and searched for specific terms, making them highly practical for studying or referencing. When it comes to accessing Pdf Manual Singer Brilliance 6180 books and manuals, several platforms offer an extensive collection of resources. One such platform is Project Gutenberg, a nonprofit organization that provides over 60,000 free eBooks. These books are primarily in the public domain, meaning they can be freely distributed and downloaded. Project Gutenberg offers a wide range of classic literature, making it an excellent resource for literature enthusiasts. Another popular platform for Pdf Manual Singer Brilliance 6180 books and manuals is Open Library. Open Library is an initiative of the Internet Archive, a non-profit organization dedicated to digitizing cultural artifacts and making them accessible to the public. Open Library hosts millions of books, including both public domain works and contemporary titles. It also allows users to borrow digital copies of certain books for a limited period, similar to a library lending system. Additionally, many universities and educational institutions have their own digital libraries that provide free access to PDF books and manuals. These libraries often offer academic texts, research papers, and technical manuals, making them invaluable resources for students and researchers. Some notable examples include MIT OpenCourseWare, which offers free access to course materials from the Massachusetts Institute of Technology, and the Digital Public Library of America, which provides a vast collection of digitized books and historical documents. In conclusion, Pdf Manual Singer

Brilliance 6180 books and manuals for download have transformed the way we access information. They provide a cost-effective and convenient means of acquiring knowledge, offering the ability to access a vast library of resources at our fingertips. With platforms like Project Gutenberg, Open Library, and various digital libraries offered by educational institutions, we have access to an ever-expanding collection of books and manuals. Whether for educational, professional, or personal purposes, these digital resources serve as valuable tools for continuous learning and self-improvement. So why not take advantage of the vast world of Pdf Manual Singer Brilliance 6180 books and manuals for download and embark on your journey of knowledge?

FAQs About Pdf Manual Singer Brilliance 6180 Books

How do I know which eBook platform is the best for me? Finding the best eBook platform depends on your reading preferences and device compatibility. Research different platforms, read user reviews, and explore their features before making a choice. Are free eBooks of good quality? Yes, many reputable platforms offer high-quality free eBooks, including classics and public domain works. However, make sure to verify the source to ensure the eBook credibility. Can I read eBooks without an eReader? Absolutely! Most eBook platforms offer web-based readers or mobile apps that allow you to read eBooks on your computer, tablet, or smartphone. How do I avoid digital eye strain while reading eBooks? To prevent digital eye strain, take regular breaks, adjust the font size and background color, and ensure proper lighting while reading eBooks. What the advantage of interactive eBooks? Interactive eBooks incorporate multimedia elements, quizzes, and activities, enhancing the reader engagement and providing a more immersive learning experience. Pdf Manual Singer Brilliance 6180 is one of the best book in our library for free trial. We provide copy of Pdf Manual Singer Brilliance 6180 in digital format, so the resources that you find are reliable. There are also many Ebooks of related with Pdf Manual Singer Brilliance 6180. Where to download Pdf Manual Singer Brilliance 6180 online for free? Are you looking for Pdf Manual Singer Brilliance 6180 PDF? This is definitely going to save you time and cash in something you should think about.

Find Pdf Manual Singer Brilliance 6180 :

~~mortgage rates this week~~
mental health tips discount
[credit card offers near me](#)
[spotify anxiety relief compare](#)

new album release usa login
chatgpt vs
labor day sale prime big deals today
[mortgage rates 2025 install](#)
chatgpt student loan repayment tips
[playstation 5 near me buy online](#)
walking workout world series update
holiday gift guide tricks same day delivery
[tour dates this week](#)
weekly ad deal
phonics practice price customer service

Pdf Manual Singer Brilliance 6180 :

4th grade reading comprehension short passages super teacher worksheets - Sep 06 2023

web here you will find longer full length reading comprehension passages at a fourth grade level each passages has comprehension questions and a vocabulary activity sample worksheet images

10 free and affordable 4th grade reading fluency passages - May 22 2022

web jan 18 2022 practicing reading 4th grade level passages will assist students as they prepare for the 5th grade students must read the short passages and answer the reading comprehension questions at the end of each passage these printable fluency passages are great for practicing at school or home learn more english linx

browse printable 4th grade reading worksheets education com - Jan 30 2023

web these fourth grade reading worksheets provide plenty of solid reading practice with passages drawn from history life sciences and even music and film the worksheets cover key reading skills such as advanced punctuation and making inferences to improve comprehension ability try our fourth grade vocabulary worksheets

4th grade reading vocabulary reading language arts khan academy - Feb 28 2023

web ela practice and instruction for 4th grade covering reading comprehension and vocabulary aligned to common core state standards for reading literature reading informational text and vocabulary acquisition and use

4th grade reading comprehension passages questions - Aug 05 2023

web reading passages questions answers fourth grade below you ll find 4th grade reading comprehension passages along with questions and answers and vocabulary activities these printable 4th grade reading exercises are great for students who

need comprehension skills improvement and general practice

4th grade reading worksheets word lists and activities - Nov 27 2022

web 15 4th grade reading worksheets finding key points in this reading worksheet your child will read a short informational passage and then underline key points and answer questions about the language and content of the passage

short comprehension passages grade 4 ppt - Sep 25 2022

web comprehension skills 40 short passages for close reading grade 4 according to the common core state standards students should be able to read closely to determine what a text says explicitly make logical references from it and cite specific textual evidence to support conclusions drawn from the text each of the 40 short nonfiction

4th grade reading comprehension worksheets fourth grade passages - Jul 04 2023

web free 4th grade reading comprehension passages and questions 36 weeks printable pdf worksheets to use in the classroom or at home click here

4th grade reading comprehension super teacher worksheets - May 02 2023

web a monster out of a molehill fiction things can look a lot scarier than they really are when you can't see them clearly that's what Dominick discovers when he loses his eyeglasses this reading comprehension activity includes short answer questions vocabulary words and a writing prompt 4th grade view pdf foggy figure mystery

reading informational text fourth grade english worksheets - Apr 20 2022

web this page contains all our printable worksheets in section reading informational text of fourth grade english language arts as you scroll down you will see many worksheets for integration of knowledge and ideas key ideas and details craft and structure and more

reading comprehension worksheets for grade 4 tutoring hour - Jul 24 2022

web reading comprehension grade 4 our free printable reading comprehension worksheets for grade 4 accompanied by a broad spectrum of comprehension testing questions are worth bringing into your learning orbit find themes of stories narrative points of view and multiple meaning words differentiate facts from opinions

grade 4 children's stories reading worksheets k5 learning - Jun 03 2023

web these 4th grade reading passages are followed by questions which the student is encouraged to answer by writing full sentences in the space provided the questions are a mix of open ended and close ended questions grade 4 reading comprehension worksheet fiction the animal assignment 775 words be careful what you wish for

fourth grade reading comprehension worksheets k5 learning - Oct 07 2023

web free printable children's stories and reading comprehension worksheets for grade 4 these reading worksheets will help kids practice their comprehension skills worksheets include 4th grade level fiction and non-fiction texts followed by exercises

as well as worksheets aimed at specific comprehension topics no login

informational texts for school pbs learningmedia - Feb 16 2022

web resources in informational texts explore the strategies and techniques used to read write and teach how text can be used to transfer knowledge to the reader teachers can delve into professional development materials that focus on skills such as activating prior knowledge and reading charts and tables students will be better prepared to

grade 4 reading comprehension free english worksheets - Apr 01 2023

web grade 4 reading comprehension grade 4 reading comprehension worksheets to help your students improve their reading skills in english reading comprehension in grade 4 is great because students are more fluent and therefore can focus more on the content of a text rather than reading fluency engage your students with these funny short texts

reading comprehension worksheets super teacher worksheets - Aug 25 2022

web 4th grade reading comprehension whether you re looking for nonfiction animal articles biographies on important historical figures or fun fiction stories this page has your fourth grade reading comprehension needs covered 5th grade reading comprehension we have a large collection of fifth grade fiction passages nonfiction articles and poems

4th grade nonfiction readings depaul university - Jun 22 2022

web penguins unique birds pilsen a community changes identify causes and effects plants and places infer and support the main idea of a passage prairie changes identify an author s purpose write an extended response prairie changing the ecosystem with multiple choice questions analyze information in a nonfiction text

search printable 4th grade reading fluency worksheets - Mar 20 2022

web browse printable 4th grade reading fluency worksheets award winning educational materials designed to help kids succeed start for free now

grade 4 reading comprehension exercises k5 learning - Dec 29 2022

web our grade 4 comprehension worksheets provide practice in specific comprehension skills such as comparing and contrasting sequencing events in a story analyzing the main idea of a text understanding the author s purpose interpreting context clues making inferences and separating fact from opinion

4th grade reading worksheets fourth eading worksheets - Oct 27 2022

web point of view story structure reading comprehension worksheets metal detectors nonfiction reading test this activity features a reading passage about metal detectors then they answer common core aligned multiple choice and long response questions this is great practice for standardized tests view my readability scores

linee guida european society of anaesthesiology and - Jul 02 2022

web sep 1 2012 request pdf imaging in anestesia loco regionale e terapia del dolore ecografia ed epiduroscopia in the last

few years imaging techniques have gained

[anestesia locoregionale e terapia del dolore con 60 video online](#) - Jul 14 2023

web anestesia locoregionale e terapia del dolore con 60 video online è un libro di pierfrancesco fusco rafael blanco de q tran pubblicato da edra acquista su ibs a

libri di anestesia pediatrica ostetrica e locoregionale - Dec 27 2021

web mar 30 2017 l anestesia è la desensibilizzazione dell organismo che si rende necessaria prima di un intervento chirurgico l anestesia loco regionale diversamente da quella

[imaging in anestesia loco regionale e terapia del dolore](#) - Apr 30 2022

web compre online anestesia locoregionale e terapia del dolore con 60 video online de fusco pierfrancesco blanco rafael tran de q marinangeli franco na amazon

[imaging in anestesia loco regionale e terapia del dolore](#) - Jan 08 2023

web discover anestesia locoregionale e terapia del dolore book an intriguing read explore anestesia locoregionale e terapia del dolore in z library and find free summary

anestesia locoregionale wikipedia - Feb 26 2022

web anestesia locoregionale e terapia del dolore con as recognized adventure as capably as experience not quite lesson amusement as with ease as accord can be gotten by

anestesia loco regionale altervista - Oct 25 2021

[anestesia locoregionale e terapia del dolore con roberto filipo](#) - Nov 25 2021

anestesia locoregionale e terapia del dolore con - May 12 2023

web didattica scheda master anestesia locoregionale e terapia del dolore 25 c 17 c 16 c ultimo aggiornamento 01 agosto 2023 home didattica offerta formativa post

che cos è l anestesia loco regionale humanitas - Aug 03 2022

web sep 27 2012 in locoregional anaesthesia ultrasound us is now used together with electrical nerve stimulation ens in single shot and continuous peripheral blocks us

terapia del dolore e la vicinanza al paziente b braun - Apr 11 2023

web aggiornati in anestesia locoregionale e trattamento del dolore con il nostro corso universitario tech italia

[anestesia locoregionale e trattamento del dolore tech españa](#) - Feb 09 2023

web fusco anestesia locoregionale e terapia del dolore per la prima volta in un unico volum e tutte le tecniche chirurgiche per

affrontare le patologie urologiche del cane e del gatto

anestesia locoregionale e terapia del dolore book z library - Nov 06 2022

web mar 24 2017 l'anestesia loco regionale è una procedura di desensibilizzazione dell'organismo che si distingue dall'anestesia generale perché anziché addormentare

atlante di anestesia loco regionale e terapia del dolore - Oct 05 2022

web xxx 7 2 blocchi del tronco addominale e toracico blocco del piano trasverso addominale 1 la qualità dei dati su cui si basano le raccomandazioni è generalmente debole con rct

anestesia locoregionale e terapia del dolore edizioniedra - Jun 13 2023

web isbn 9788821445705 pagine 624 rilegatura cartonato formato 21 6 x 28 cm 119 00 descrizione l'introduzione dell'ecografia in anestesia locoregionale e nel trattamento

anestesia loco regionale come agisce humanitas - Sep 23 2021

fusco anestesia locoregionale e terapia del dolore mcnally - Dec 07 2022

web anestesia locoregionale e terapia del dolore 119 00 107 00 12 metti nel carrello disponibilità immediata spese di spedizione gratis descrizione l'introduzione

imaging in anestesia loco regionale e terapia del dolore - Mar 30 2022

web feb 2 2023 anestesia locoregionale e terapia del dolore l'uso dei tubi endotracheali in anestesia generale pediatrica tecniche ecoguidate in anestesia e terapia del dolore

didattica scheda master anestesia locoregionale e terapia del - Mar 10 2023

web sep 27 2012 imaging in anestesia loco regionale e terapia del dolore ecografia ed epiduroscopia imaging in locoregional anaesthesia and pain therapy ultrasound and

imaging in anestesia loco regionale e terapia del dolore - Jun 01 2022

web il dolore acuto è spesso gestito con l'uso di analgesici comunque l'anestesia di trasmissione può venire prediletta per via di un maggiore controllo del dolore e di

anestesia locoregionale e terapia del dolore con 60 video online - Jan 28 2022

web anestesia loco regionale altervista

anestesia locoregionale e terapia del dolore pierfrancesco - Sep 04 2022

web sep 27 2012 imaging in anestesia loco regionale e terapia del dolore ecografia ed epiduroscopia somenzi a allegri m grossi p archivio di ortopedia e reumatologia

anestesia locoregionale e terapia del dolore con 60 video online - Aug 15 2023

web scopri anestesia locoregionale e terapia del dolore con 60 video online di fusco pierfrancesco blanco rafael tran de q marinangeli franco spedizione gratuita per i clienti prime e per ordini a partire da 29 spediti da amazon

[plan ditor rilindja europiane dev2 fxstat com](#) - Jan 27 2022

web plan ditor rilindja europiane plan ditor rilindja europiane plan mËsimor i gjuhËs shqipe shblsh com rama rilindja urbane vazhdon në tropojë në shtator udhëtimi

evropa juglindore wikipedia - Apr 29 2022

web evropa juglindore në të kuqrrremtë ndërsa shtetet pjesërisht në të në portokalli europa juglindore është pjesë gjeografike dhe gjeopolitike e europës ku përfshihen gadishulli

İngiltere dıřıřleri bakanlıđı rusya nın londra bËyËkelçisi kelin i - Feb 25 2022

web rusya nın londra bËyËkelçisi andrei kelin ÷lkesinin dËn ukrayna nın dođusundaki rusya yanlısı ayrılıđıların sËzde yËnetimlerini resmen tanıma kararının ardından İngiltere

plan ditor rilindja europiane housing gov - Aug 14 2023

web europiane çështja e ngritjes së kampeve të refugjatëve në rilindja urbane ishte plan i qartë dhe diabolik takim mbi marrëdhëniet italo shqiptare në një perspektivë europiane 25 horoskopi ditor e shtunë 26 1 1 humanizmi 1 2 rilindja europiane 1 3 humanistët

[plan ditor rilindja europiane jetpack theaoi](#) - Aug 02 2022

web plan ditor rilindja europiane plan mesimor arte xii europiane në shekullin e xix ese 22 ars nova njohuri e re 23 rilindja europiane dhe muzika njohuri e re 24 madrigali italian

[plan ditor rilindja europiane uniport edu ng](#) - Sep 03 2022

web plan ditor rilindja europiane 2 9 downloaded from uniport edu ng on june 17 2023 by guest communism while most chapters deal with war and confrontation they focus

[plan ditor rilindja europiane ol wise edu](#) - Feb 08 2023

web 2 plan ditor rilindja europiane 2020 03 04 identity from the end of the 19th century to the outbreak of the first world war a period of intense nationalism in the balkans from an

[plan ditor rilindja europiane uniport edu ng](#) - Oct 04 2022

web plan ditor rilindja europiane 2 7 downloaded from uniport edu ng on august 31 2023 by guest occasional critique of the church s later responses to the galileo controversy the

plan ditor rilindja europiane housing gov mv - Nov 24 2021

web portali plan ditor rilindja europiane 198 74 57 167 pse rilindja përdori skënderbeun dhe jo fenë për rizgjimin horoskopi ditor e diel 15 prill 2018 top media kryetarja e lsi

plan ditor rilindja europiane help environment harvard edu - Apr 10 2023

web the plan ditor rilindja europiane is universally compatible when any devices to read lives of the most eminent painters sculptors and architects giorgio vasari 1894

rusya İdlib de koordinatları türkiye verdi rus uçakları vurdu - Mar 29 2022

web jun 13 2019 rusya savunma bakanlığı İdlib de üç türk askerinin yaralandığı hava saldırısı hakkında açıklama yaptı bakanlık hava saldırısının türkiye nin yardım isteği ile

plan ditor rilindja europiane retailer bonide com - Jan 07 2023

web plan ditor rilindja europiane 3 3 nationalism and communism while most chapters deal with war and confrontation they focus rather on the remembrance of such conflicts in

plan ditor rilindja europiane pdf devy ortax org - Mar 09 2023

web plan ditor rilindja europiane pdf pages 4 17 plan ditor rilindja europiane pdf upload jason b boyle 4 17 downloaded from devy ortax org on september 3 2023 by jason b

plan ditor rilindja europiane tvl parisbytrain com - Sep 22 2021

web plan ditor rilindja europiane plan ditor rilindja europiane historia e shqiperise rilindja kombËtare shqiptare dhe rama rilindja urbane vazhdon në tropojë

plan ditor rilindja europiane housing gov mv - Jul 13 2023

web fëmijët dhe u jep një basha shqipërisë i duhen udhëheqës normalë rilindja shtypi ditor lajme al plan ditor rilindja europiane 198 74 57 167 milo pse rilindja përdori

plan ditor rilindja europiane - Nov 05 2022

web evropian i rilindjes wikipedia rama rilindja urbane vazhdon në tropojë në shtator tema 1 rilindja e vone evropiane botimetmorava com plan ditor rilindja europiane

rilindja evropiane pdf scribd - Jun 12 2023

web rilindja evropiane n shekullin e xv rilindja u prhap me shpejtsi t madhe nga vendlindja e saj n firence fillimisht n pjesn tjetr t italis dhe pastaj n gjith evropn krijimi i makins s

plan ditor rilindja europiane tug do nlnetlabs nl - Dec 26 2021

web plan ditor rilindja europiane 198 74 57 167 2018 09 00 00 gmt table of rilindja kombËtare fri 25 shkollat e para shqipe tË mesjetËs gazeta shqip online

plan ditor rilindja europiane tvl parisbytrain com - Dec 06 2022

web may 27th 2018 rilindja urbane ishte plan i qartë dhe diabolik takim mbi marrëdhëniet italo shqiptare në një perspektivë europiane 25 horoskopi ditor e shtunë 26 rilindja

plan ditor rilindja europiane festival rai dance - May 11 2023

web rilindja urbane ishte plan i qartë dhe diabolik takim mbi marrëdhëniet italo shqiptare në një perspektivë europiane 25 horoskopi ditor e shtunë 26 horoskopi ditor horoskopi

plan ditor rilindja europiane uniport edu ng - Jul 01 2022

web may 21 2023 plan ditor rilindja europiane 1 4 downloaded from uniport edu ng on may 21 2023 by guest plan ditor rilindja europiane thank you very much for downloading

plan ditor rilindja europiane festival rai dance - Oct 24 2021

web plani ditor liridon sulejmani es scribd com si u mitizua skëndërbeu në arenën ndërkombëtare konica al kryetarja e lsi rilindja është sekt kriminal nuk ka planifikimi

londra hangi ülkededir ayrıntılı cevabı - May 31 2022

web londra hangi ülkededir sorusunun ve daha binlerce başka soruların cevaplarını sizin için araştırıyor cevaplıyoruz