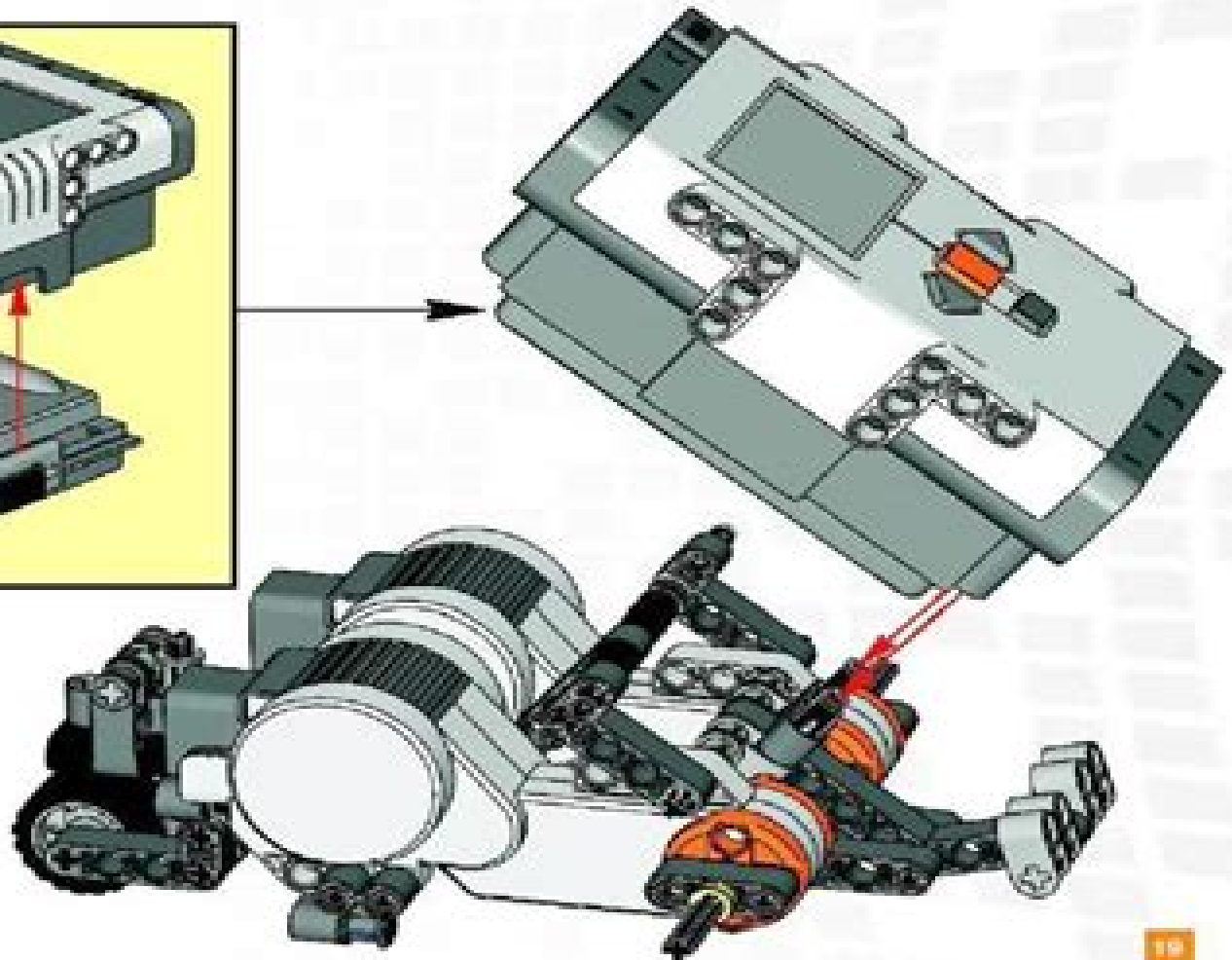
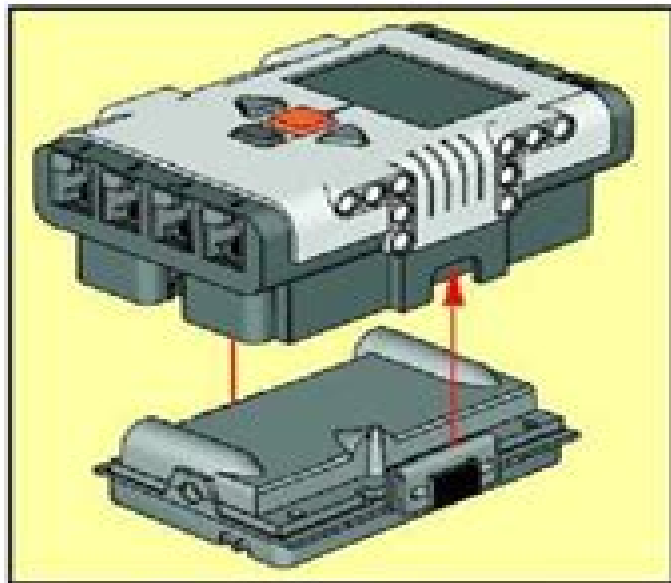


14



# Nxt Lego Instruction Manual Base Set

**Dejian Liu,Ronghuai Huang,Ying  
Chen,Michael Agyemang  
Adarkwah,Xiangling Zhang,Xin  
Li,Junjie Zhang,Ting Da**

## **Nxt Lego Instruction Manual Base Set:**

*Robot Development Using Microsoft Robotics Developer Studio* Shih-Chung Kang, Wei-Tze Chang, Kai-Yuan Gu, Hung-Lin Chi, 2016-04-19 The Microsoft Robotics Developer Studio MSRDS and LEGO robots together offer a flexible platform for creating robotic systems Designed for novices with basic programming skills Robot Development Using Microsoft Robotics Developer Studio provides clear instructions on developing and operating robots It includes an extensive array of examples w

*The Guild Leader's Handbook* Scott F. Andrews, 2010-04-01 Who said dragon slaying was easy Leading a guild in massively multiplayer online MMO games like World of Warcraft is more difficult than most players think Your members look to you to solve problems plan raids and battles and lead them to riches and renown In *The Guild Leader's Handbook* you'll learn how to create build and maintain a successful guild Author Scott F Andrews a longtime guild leader and guild advice columnist for WoW.com will show you how to guide your guild to glory Whether you're trying to confront a monstrous threat conquer your rivals or simply reign supreme as the wealthiest traders in the galaxy *The Guild Leader's Handbook* offers invaluable guidance to help you achieve your goals You'll learn how to Plan successful raids player vs player battles roleplaying sessions and contests Deal with problem players and keep a lid on guild fracturing drama Solve loot issues and choose the best loot system for your guild Boost your guild's morale reputation and server presence Promote and motivate an effective officer corps Whether you're an established guild leader in need of sage advice or a dedicated player seeking to form your own community *The Guild Leader's Handbook* is an essential guide to managing a guild successfully in any MMO game

*Tools for Design Using AutoCAD 2018 and Autodesk Inventor 2018* Randy Shih, 2017-08-04 *Tools for Design* is intended to provide the user with an overview of computer aided design using two popular CAD software packages from Autodesk AutoCAD and Autodesk Inventor This book explores the strengths of each package and shows how they can be used in design both separately and in combination with each other What you'll learn How to create and dimension 2D multiview drawings using AutoCAD How to freehand sketch using axonometric oblique and perspective projection techniques How to create 3D parametric models and 2D multiview drawings using Autodesk Inventor How to reuse design information between AutoCAD and Autodesk Inventor How to combine parts into assemblies including assembly modeling with a LEGO

MINDSTORMS Education Base Set with a TETRIX kit and a VEX Robot Kit How to perform basic finite element stress analysis using Inventor Stress Analysis Module

*Using Educational Robots to Enhance Learning* Dejian Liu, Ronghuai Huang, Ying Chen, Michael Agyemang Adarkwah, Xiangling Zhang, Xin Li, Junjie Zhang, Ting Da, 2024-09-28 This book presents advances in the research of educational robotics and showcases how they can be used to facilitate learning It summarizes popular and relevant terms and theories in educational robotics via analyzing one hundred influential journal articles in this field to provide readers background knowledge on the subject matter This book also guides readers in understanding how different types of robotics are utilized to promote learning among different types of students in different contexts and in different

disciplines of study     *Tools for Design Using AutoCAD 2017 and Autodesk Inventor 2017* Randy Shih,2016 Tools for Design is intended to provide the user with an overview of computer aided design using two popular CAD software packages from Autodesk AutoCAD and Autodesk Inventor This book explores the strengths of each package and shows how they can be used in design both separately and in combination with each other     **Tools for Design Using AutoCAD 2019 and Autodesk Inventor 2019** Randy Shih,2018 Tools for Design is intended to provide the user with an overview of computer aided design using two popular CAD software packages from Autodesk AutoCAD and Autodesk Inventor This book explores the strengths of each package and shows how they can be used in design both separately and in combination with each other What you ll learn How to create and dimension 2D multiview drawings using AutoCADHow to freehand sketch using axonometric oblique and perspective projection techniquesHow to create 3D parametric models and 2D multiview drawings using Autodesk InventorHow to reuse design information between AutoCAD and Autodesk InventorHow to combine parts into assemblies including assembly modeling with a LEGO MINDSTORMS Education Base Set with a TETRIX kit and a VEX Robot KitHow to perform basic finite element stress analysis using Inventor Stress Analysis ModuleWho this book is for This book is designed for high school and college age students wanting to learn the fundamentals of computer aided design with AutoCAD and Inventor and how the two can be used together No prior CAD experience is required     *Exploring LEGO Mindstorms EV3* Eun Jung Park,2014-08-11 The essential guide to building and programming LEGO EV3 interactive robots Exploring LEGO Mindstorms Tools and Techniques for Building and Programming Robots is the complete guide to getting the most out of your LEGO Mindstorms EV3 Written for hobbyists young builders and master builders alike the book walks you through fundamentals of robot design construction and programming using the Mindstorms apparatus and LEGO TECHNIC parts Tap into your creativity with brainstorming techniques or follow the plans and blueprints provided on the companion website to complete projects ranging from beginner to advanced The book begins with the basics of the software and EV3 features then lets you get to work quickly by using projects of increasing complexity to illustrate the topics at hand Plenty of examples are provided throughout every step of the process and the companion website features a blog where you can gain the insight and advice of other users Exploring LEGO Mindstorms contains building and programming challenges written by a recognized authority in LEGO robotics curriculum and is designed to teach you the fundamentals rather than have you follow a recipe Get started with robot programming with the starter vehicle Auto Driver Explore the features of the EV3 brick a programmable brick Design robot s actions using Action Blocks Incorporate environmental sensors using Infrared Touch and Color sensors Expand the use of data in your program by using data wires with Sensor Blocks Process data from the sensors using Data Operations Blocks Using Bluetooth and WiFi with EV3 Build unique EV3 robots that each presents different functions the Spy Rabbit a robot that can react to its surroundings a Sea Turtle robot Mr Turto the Big Belly Bot a robot that eats and poops and a Robotic Puppy Guapo Discover ideas and practices that will help you to develop your own method of

designing and programming EV3 robots The book also provides extensive programming guidance from the very basics of block programming through data wiring You ll learn robotics skills to help with your own creations and can likely ignite a lasting passion for innovation Exploring LEGO Mindstorms is the key to unlocking your EV3 potential

**Tools for Design Using AutoCAD 2021 and Autodesk Inventor 2021** Randy Shih,2020-07-21 Tools for Design is intended to provide you with an overview of computer aided design using two popular CAD software packages from Autodesk AutoCAD and Autodesk Inventor This book explores the strengths of each package and shows how they can be used in design both separately and in combination with each other What you ll learn How to create and dimension 2D multiview drawings using AutoCAD How to freehand sketch using axonometric oblique and perspective projection techniques How to create 3D parametric models and 2D multiview drawings using Autodesk Inventor How to reuse design information between AutoCAD and Autodesk Inventor How to combine parts into assemblies including assembly modeling with a LEGO MINDSTORMS Education Base Set with a TETRIX kit and a VEX Robot Kit How to perform basic finite element stress analysis using Inventor Stress Analysis Module Who this book is for This book is designed for high school and college age students wanting to learn the fundamentals of computer aided design with AutoCAD and Inventor and how the two can be used together No prior CAD experience is required

**Build Your Own Teams of Robots with LEGO® Mindstorms® NXT and Bluetooth®** Cameron Hughes,Tracey Hughes,Trevor Watkins,Bob Kramer,2013-01-29 CREATE YOUR OWN SYNCHRONIZED ROBOT ARMY PLAN DESIGN ASSEMBLE AND PROGRAM ROBOT SQUADS THAT COMMUNICATE and cooperate with each other to accomplish together what they can t do individually Build Your Own Teams of Robots with LEGO MINDSTORMS NXT and Bluetooth shows you how to construct a team capability matrix TCM and use the Bluetooth Robotic Oriented Network BRON so your robot teams can share sensors actuators end effectors motor power and programs Find out how the Bluetooth communications protocol works and how to program Bluetooth in NXT G NXC LabVIEW and Java Learn how to send and receive Bluetooth messages data and commands among robots between a robot and a computer and between an Android smart phone and a robot Through teamwork your robots will be able to accomplish amazing feats THE STEP BY STEP ROBOT TEAM PROJECTS IN THE BOOK INCLUDE Crime Scene Investigation Robot Team Robot Convoy Rubik s Cube Solver LEARN HOW TO Coordinate multiple robots to work together as a team to perform tasks Combine two or more microcontrollers to make a single multicontroller multi agent robot Take advantage of sensor and actuator capabilities in a team environment Establish goals and teamwork strategies for your robots Control your robot teams with NXT G Bluetooth bricks and LabVIEW for NXT Bluetooth VI Activate your team using a smart phone Give your team of robots Java power with leJOS Use Java on the Linux and Darwin operating systems Watch video demonstrations of the projects and download code and examples in multiple languages NXT G Java LabVIEW and NXC from the book s companion website at [www.robotteams.org](http://www.robotteams.org) Downloads are also available at [mhprofessional.com/robotteams](http://mhprofessional.com/robotteams)

**Forbes** ,2006 **The Times Index** ,1999 Indexes

the Times Sunday times and magazine Times literary supplement Times educational supplement and the Times higher education supplement

**Unofficial LEGO MINDSTORMS NXT 2.0 Inventor's Guide** David J. Perdue, 2011 Helps readers harness the capabilities of the LEGO MINDSTORMS NXT set and effectively plan build and program NXT 2 0 robots offering an overview of the pieces in the NXT set practical building techniques instruction on the official NXT G programming language and step by step instructions for building programming and testing a variety of sample robots Original [LEGO Mindstorms Education](#) ,2007

*LEGO MINDSTORMS NXT: Mars Base Command* James Floyd Kelly, Christopher Smith, 2012-02-02 Congratulations You re on Mars Base Alpha the first human outpost on the red planet Don t relax though It s not all roses and unicorns up here Mars isn t called The Bringer of War for nothing You ve just been rained on by a meteor shower and it s up to you you to put your LEGO MINDSTORMS NXT robotics skills to work to save the day and the base And that s only the beginning of the challenges that lie ahead LEGO MINDSTORMS NXT Mars Base Command is a book of challenge It s about challenging yourself to design and build robots to solve problems tough problems Taking a similar approach to best selling LEGO author James Kelly s other books this book presents a series of four challenges in the setting of mankind s first ever manned base on the planet Mars Each challenge begins with a backstory to set the scene You re given instructions for constructing a playing field including devices that your eventual robot must manipulate Your job is to build a robot that will execute the challenge and garner you the most points The book requires the LEGO MINDSTORMS NXT Education Resource Set Scoring sheets are included that allow for the book s use in educational and group settings Teachers can base lesson plans around the different concepts taught in each challenge Groups and clubs can choose to run mini competitions in which teams or individuals compete against each other in a race to save the base LEGO MINDSTORMS NXT Mars Base Command is an excellent choice for an individual a group or a teacher wishing to learn about and have more fun with LEGO s best selling robotics platform Please note the print version of this title is black the eBook is full color [Lego Mindstorms Education NXT Base Set](#) ,2010 Lego Mindstorms is a line of programmable robotics construction toys manufactured by the Lego Group It comes in a kit containing many pieces including sensors and cables *The LEGO MINDSTORMS NXT 2.0 Discovery Book* Laurens Valk, 2010-04-01 Discover the many features of the LEGO MINDSTORMS NXT 2 0 set The LEGO MINDSTORMS NXT 2 0 Discovery Book is the complete illustrated beginner s guide to MINDSTORMS that you ve been looking for The crystal clear instructions in the Discovery Book will show you how to harness the capabilities of the NXT 2 0 set to build and program your own robots Author and robotics instructor Laurens Valk walks you through the set showing you how to use its various pieces and how to use the NXT software to program robots Interactive tutorials make it easy for you to reach an advanced level of programming as you learn to build robots that move monitor sensors and use advanced programming techniques like data wires and variables You ll build eight increasingly sophisticated robots like the Strider a six legged walking creature the CCC a climbing vehicle the Hybrid Brick Sorter a robot that sorts by

color and size and the Snatcher an autonomous robotic arm Numerous building and programming challenges throughout encourage you to think creatively and to apply what you've learned as you develop the skills essential to creating your own robots

**Requirements One LEGO MINDSTORMS NXT 2.0 set 8547 Features** A complete introduction to LEGO MINDSTORMS NXT 2.0 Building and programming instructions for eight innovative robots 50 sample programs and 72 programming challenges ranging from easy to hard encourage you to explore newly learned programming techniques 15 building challenges expand on the robot designs and help you develop ideas for new robots

**Who is this book for** This is a perfect introduction for those new to building and programming with the LEGO MINDSTORMS NXT 2.0 set The book also includes intriguing robot designs and useful programming tips for more seasoned MINDSTORMS builders

**The Art of LEGO MINDSTORMS NXT-G Programming** Terry Griffin, 2010 The Art of LEGO MINDSTORMS NXT G Programming teaches you how to create powerful programs using the LEGO MINDSTORMS NXT programming language NXT G You'll learn how to program a basic robot to perform tasks such as line following maze navigation and object detection and how to combine programming elements known as blocks to create sophisticated programs

**Author Terry Griffin covers essential functions like movement sensors and sound as well as more complex NXT G features like synchronizing multiple operations** Because it's common for programs to not work quite right the first time they are run a section of the book is dedicated to troubleshooting common problems including timing sensor calibration and proper debugging Throughout the book you'll learn best practices to help eliminate frustration when programming your robotic creations This book is perfect for anyone with little to no previous programming experience who wants to master the art of NXT G programming

**Basic Robot Building With LEGO Mindstorms NXT 2.0** John Baichtal, James Floyd Kelly, 2013-01-07 Basic Robot Building with LEGO Mindstorms NXT 2.0 ABSOLUTELY NO EXPERIENCE NEEDED Learn LEGO Mindstorms NXT 2.0 from the ground up hands on in full color

Ever wanted to build a robot Now's the time LEGO Mindstorms NXT 2.0 is the technology and this is the book You can do this even if you've never built or programmed anything Don't worry about where to begin start right here John Baichtal explains everything you need to know one ridiculously simple step at a time and shows you every key step with stunningly clear full color photos You won't just learn concepts you'll put them to work in three start to finish projects including three remarkable bots you can build right this minute with zero knowledge of programming or robotics It's going to be simple and it's going to be fun All you need is in the box and in this book

Unbox your LEGO Mindstorms NXT 2.0 set and discover exactly what you've got Build a Backscratching Bot immediately Connect the NXT Intelligent Brick to your computer Windows or Mac Navigate the Brick's menus and upload programs Start writing simple new programs painlessly Build the Clothesline Cruiser a robot that travels via rope Program your robot's movements Learn to create stronger tougher models Help your robot sense everything from distance and movement to sound and color Build a miniature tank treaded robot that knows how to rebound Write smarter programs by creating your own programming blocks Discover what to learn next and which

additional parts you might want to buy JOHN BAICHTAL is a contributor to MAKE magazine and Wired's GeekDad blog He is the co author of The Cult of Lego No Starch and author of Hack This 24 Incredible Hackerspace Projects from the DIY Movement Que Most recently he wrote Make Lego and Arduino Projects for MAKE collaborating with Adam Wolf and Matthew Beckler He lives in Minneapolis Minnesota with his wife and three children

**LEGO MINDSTORMS NXT One Kit Wonders** James Kelly, Matthias Scholz, Christopher Smith, Martijn Boogaarts, Jonathan Daudelin, Eric Burdo, Laurens Valk, Blue ToothKiwi, Fay Rhodes, 2008 LEGO MINDSTORMS NXT One Kit Wonders is packed with building and programming instructions for ten innovative robots The book dives headfirst into the creative thrill of robot building with models like Grabbot Dragster and The Hand Step by step building instructions make it simple to construct even the most complex models while the detailed programming instructions teach you how a NXT program really works

Vernier Engineering Projects with LEGO MINDSTORMS Education NXT Vernier Software & Technology, 2015-01



## **Nxt Lego Instruction Manual Base Set** Book Review: Unveiling the Magic of Language

In an electronic digital era where connections and knowledge reign supreme, the enchanting power of language has become more apparent than ever. Its capability to stir emotions, provoke thought, and instigate transformation is really remarkable. This extraordinary book, aptly titled "**Nxt Lego Instruction Manual Base Set**," written by a very acclaimed author, immerses readers in a captivating exploration of the significance of language and its profound effect on our existence. Throughout this critique, we shall delve into the book's central themes, evaluate its unique writing style, and assess its overall influence on its readership.

[https://crm.allthingsbusiness.co.uk/results/browse/index.jsp/Michael\\_Kohlhaas\\_Silhouetten\\_Hd\\_Voss.pdf](https://crm.allthingsbusiness.co.uk/results/browse/index.jsp/Michael_Kohlhaas_Silhouetten_Hd_Voss.pdf)

### **Table of Contents Nxt Lego Instruction Manual Base Set**

1. Understanding the eBook Nxt Lego Instruction Manual Base Set
  - The Rise of Digital Reading Nxt Lego Instruction Manual Base Set
  - Advantages of eBooks Over Traditional Books
2. Identifying Nxt Lego Instruction Manual Base Set
  - Exploring Different Genres
  - Considering Fiction vs. Non-Fiction
  - Determining Your Reading Goals
3. Choosing the Right eBook Platform
  - Popular eBook Platforms
  - Features to Look for in an Nxt Lego Instruction Manual Base Set
  - User-Friendly Interface
4. Exploring eBook Recommendations from Nxt Lego Instruction Manual Base Set
  - Personalized Recommendations
  - Nxt Lego Instruction Manual Base Set User Reviews and Ratings
  - Nxt Lego Instruction Manual Base Set and Bestseller Lists

5. Accessing Nxt Lego Instruction Manual Base Set Free and Paid eBooks
  - Nxt Lego Instruction Manual Base Set Public Domain eBooks
  - Nxt Lego Instruction Manual Base Set eBook Subscription Services
  - Nxt Lego Instruction Manual Base Set Budget-Friendly Options
6. Navigating Nxt Lego Instruction Manual Base Set eBook Formats
  - ePub, PDF, MOBI, and More
  - Nxt Lego Instruction Manual Base Set Compatibility with Devices
  - Nxt Lego Instruction Manual Base Set Enhanced eBook Features
7. Enhancing Your Reading Experience
  - Adjustable Fonts and Text Sizes of Nxt Lego Instruction Manual Base Set
  - Highlighting and Note-Taking Nxt Lego Instruction Manual Base Set
  - Interactive Elements Nxt Lego Instruction Manual Base Set
8. Staying Engaged with Nxt Lego Instruction Manual Base Set
  - Joining Online Reading Communities
  - Participating in Virtual Book Clubs
  - Following Authors and Publishers Nxt Lego Instruction Manual Base Set
9. Balancing eBooks and Physical Books Nxt Lego Instruction Manual Base Set
  - Benefits of a Digital Library
  - Creating a Diverse Reading Collection Nxt Lego Instruction Manual Base Set
10. Overcoming Reading Challenges
  - Dealing with Digital Eye Strain
  - Minimizing Distractions
  - Managing Screen Time
11. Cultivating a Reading Routine Nxt Lego Instruction Manual Base Set
  - Setting Reading Goals Nxt Lego Instruction Manual Base Set
  - Carving Out Dedicated Reading Time
12. Sourcing Reliable Information of Nxt Lego Instruction Manual Base Set
  - Fact-Checking eBook Content of Nxt Lego Instruction Manual Base Set
  - Distinguishing Credible Sources
13. Promoting Lifelong Learning

- Utilizing eBooks for Skill Development
  - Exploring Educational eBooks
14. Embracing eBook Trends
- Integration of Multimedia Elements
  - Interactive and Gamified eBooks

### **Nxt Lego Instruction Manual Base Set Introduction**

In the digital age, access to information has become easier than ever before. The ability to download Nxt Lego Instruction Manual Base Set has revolutionized the way we consume written content. Whether you are a student looking for course material, an avid reader searching for your next favorite book, or a professional seeking research papers, the option to download Nxt Lego Instruction Manual Base Set has opened up a world of possibilities. Downloading Nxt Lego Instruction Manual Base Set provides numerous advantages over physical copies of books and documents. Firstly, it is incredibly convenient. Gone are the days of carrying around heavy textbooks or bulky folders filled with papers. With the click of a button, you can gain immediate access to valuable resources on any device. This convenience allows for efficient studying, researching, and reading on the go. Moreover, the cost-effective nature of downloading Nxt Lego Instruction Manual Base Set has democratized knowledge. Traditional books and academic journals can be expensive, making it difficult for individuals with limited financial resources to access information. By offering free PDF downloads, publishers and authors are enabling a wider audience to benefit from their work. This inclusivity promotes equal opportunities for learning and personal growth. There are numerous websites and platforms where individuals can download Nxt Lego Instruction Manual Base Set. These websites range from academic databases offering research papers and journals to online libraries with an expansive collection of books from various genres. Many authors and publishers also upload their work to specific websites, granting readers access to their content without any charge. These platforms not only provide access to existing literature but also serve as an excellent platform for undiscovered authors to share their work with the world. However, it is essential to be cautious while downloading Nxt Lego Instruction Manual Base Set. Some websites may offer pirated or illegally obtained copies of copyrighted material. Engaging in such activities not only violates copyright laws but also undermines the efforts of authors, publishers, and researchers. To ensure ethical downloading, it is advisable to utilize reputable websites that prioritize the legal distribution of content. When downloading Nxt Lego Instruction Manual Base Set, users should also consider the potential security risks associated with online platforms. Malicious actors may exploit vulnerabilities in unprotected websites to distribute malware or steal personal information. To protect themselves, individuals should ensure their devices have reliable antivirus software installed and validate the legitimacy of the websites they are downloading from.

In conclusion, the ability to download Nxt Lego Instruction Manual Base Set has transformed the way we access information. With the convenience, cost-effectiveness, and accessibility it offers, free PDF downloads have become a popular choice for students, researchers, and book lovers worldwide. However, it is crucial to engage in ethical downloading practices and prioritize personal security when utilizing online platforms. By doing so, individuals can make the most of the vast array of free PDF resources available and embark on a journey of continuous learning and intellectual growth.

### **FAQs About Nxt Lego Instruction Manual Base Set Books**

How do I know which eBook platform is the best for me? Finding the best eBook platform depends on your reading preferences and device compatibility. Research different platforms, read user reviews, and explore their features before making a choice. Are free eBooks of good quality? Yes, many reputable platforms offer high-quality free eBooks, including classics and public domain works. However, make sure to verify the source to ensure the eBook credibility. Can I read eBooks without an eReader? Absolutely! Most eBook platforms offer webbased readers or mobile apps that allow you to read eBooks on your computer, tablet, or smartphone. How do I avoid digital eye strain while reading eBooks? To prevent digital eye strain, take regular breaks, adjust the font size and background color, and ensure proper lighting while reading eBooks. What the advantage of interactive eBooks? Interactive eBooks incorporate multimedia elements, quizzes, and activities, enhancing the reader engagement and providing a more immersive learning experience. Nxt Lego Instruction Manual Base Set is one of the best book in our library for free trial. We provide copy of Nxt Lego Instruction Manual Base Set in digital format, so the resources that you find are reliable. There are also many Ebooks of related with Nxt Lego Instruction Manual Base Set. Where to download Nxt Lego Instruction Manual Base Set online for free? Are you looking for Nxt Lego Instruction Manual Base Set PDF? This is definitely going to save you time and cash in something you should think about. If you trying to find then search around for online. Without a doubt there are numerous these available and many of them have the freedom. However without doubt you receive whatever you purchase. An alternate way to get ideas is always to check another Nxt Lego Instruction Manual Base Set. This method for see exactly what may be included and adopt these ideas to your book. This site will almost certainly help you save time and effort, money and stress. If you are looking for free books then you really should consider finding to assist you try this. Several of Nxt Lego Instruction Manual Base Set are for sale to free while some are payable. If you arent sure if the books you would like to download works with for usage along with your computer, it is possible to download free trials. The free guides make it easy for someone to free access online library for download books to your device. You can get free download on free trial for lots of books categories. Our library is the biggest of these that have literally hundreds of thousands of different products categories represented. You will also see that there are

specific sites catered to different product types or categories, brands or niches related with Nxt Lego Instruction Manual Base Set. So depending on what exactly you are searching, you will be able to choose e books to suit your own need. Need to access completely for Campbell Biology Seventh Edition book? Access Ebook without any digging. And by having access to our ebook online or by storing it on your computer, you have convenient answers with Nxt Lego Instruction Manual Base Set To get started finding Nxt Lego Instruction Manual Base Set, you are right to find our website which has a comprehensive collection of books online. Our library is the biggest of these that have literally hundreds of thousands of different products represented. You will also see that there are specific sites catered to different categories or niches related with Nxt Lego Instruction Manual Base Set So depending on what exactly you are searching, you will be able to choose ebook to suit your own need. Thank you for reading Nxt Lego Instruction Manual Base Set. Maybe you have knowledge that, people have search numerous times for their favorite readings like this Nxt Lego Instruction Manual Base Set, but end up in harmful downloads. Rather than reading a good book with a cup of coffee in the afternoon, instead they juggled with some harmful bugs inside their laptop. Nxt Lego Instruction Manual Base Set is available in our book collection an online access to it is set as public so you can download it instantly. Our digital library spans in multiple locations, allowing you to get the most less latency time to download any of our books like this one. Merely said, Nxt Lego Instruction Manual Base Set is universally compatible with any devices to read.

### **Find Nxt Lego Instruction Manual Base Set :**

**michael kohlhaas silhouetten hd voss**

**microeconomics jeffrey perloff solution manual**

mexican silver modern handwrought jewelry and metalwork schiffer book for collectors

mgb 68 owner manual

*mg midget haynes manual*

**microeconomics 2nd edition & aplia one semester access**

*michael freemans photo school fundamentals exposure light and lighting composition digital editing*

**mi40x ben pakulski**

**mexico land links van de zon**

michael g roskin countries and concepts

mgmt 7 by williams chuck cengage learning 2014 7th edition paperback paperback

michael kohlhaas a tale from an old chronicle german classics

**micah tina filsak ebook**

**microdrop generation nano and microscience engineering technology and medicine**  
microbes and evolution the world that darwin never saw

**Nxt Lego Instruction Manual Base Set :**

beyond the station lies the sea new york public library - May 01 2022

web browse borrow and enjoy titles from the new york public library digital collection

**beyond the station lies the sea jutta richter google books** - Jun 14 2023

web an arresting tale for readers young and old beyond the station lies the sea is a terrific addition to jutta richter s beloved body of work weaving together the spare symbolism of fable and the

beyond the station lies the sea kirkus reviews - Mar 11 2023

web in this outwardly simple story two homeless children niner and cosmos long to escape the hard city streets and find the sea cosmos dreams of selling cold drinks there niner has recently fled increasingly savage beatings at the hands of his mother s boyfriend who may have killed her his dreams of the sea are shot through with his

beyond the station lies the sea by jutta richter goodreads - Aug 16 2023

web once they ve set out niner takes a turn for the worse and cosmos realizes he needs that guardian angel back to save his friend an arresting tale for young readers beyond the station lies the sea is a terrific addition to an already beloved body of work

beyond the station lies the sea milkweed editions - Oct 06 2022

web cosmos and niner dream of going to the sea where it s always summer and to do that they need to raise money cosmos knows a woman who might be able to help them when she asks them to exchange something precious for the money niner and cosmos agree to trade her the most valuable thing either of them possesses niner s guardian angel

**beyond the station lies the sea by jutta richter open library** - Feb 10 2023

web beyond the station lies the sea by jutta richter 2009 milkweed editions edition in english 1st ed

*beyond the station lies the sea richter jutta 1955 free* - Jul 15 2023

web aug 17 2021 english 1 v unpagged 21 cm trying to get to the beach where it is warm two homeless boys enlist the aid of a rich woman who gives them money in exchange for a guardian angel notes obscured text on back cover due to sticker attached access restricted item true addeddate 2021 08 17 12 01 04 associated names brailovsky anna

**beyond the station lies the sea by jutta richter publishers** - Nov 07 2022

web beyond the station lies the sea jutta richter trans from the german by anna brailovsky milkweed 14 81pp isbn 978 1 57131 690 5

*beyond the station lies the sea* bookscouter com - Jan 29 2022

web once they ve set out niner takes a turn for the worse and cosmos realizes he needs that guardian angel back to save his friend an arresting tale for young readers beyond the station lies the sea is a terrific addition to an already beloved body of work

beyond the station lies the sea ebook by jutta richter hoopla - Jul 03 2022

web read beyond the station lies the sea by jutta richter for free on hoopla from a celebrated author comes a tale of adventure suspense and friendship cosmos and niner have hoopladigital com

**beyond the station lies the sea by jutta richter scribd** - Apr 12 2023

web read beyond the station lies the sea by jutta richter with a free trial read millions of ebooks and audiobooks on the web ipad iphone and android

*beyond the station lies the sea* alibris - Mar 31 2022

web buy beyond the station lies the sea by jutta richter anna brailovsky translator online at alibris we have new and used copies available in 1 editions starting at 3 44 shop now

*beyond the station lies the sea by jutta richter is available in* - Feb 27 2022

web back to beyond the station lies the sea find a digital library with beyond the station lies the sea near you search by city zip code or library name search learn more about precise location detection showing public libraries k 12 schools library name distance show all our apps libby sora kanopy help markets served

**beyond the station lies the sea overdrive** - Jan 09 2023

web dec 28 2011 once they ve set out niner takes a turn for the worse and cosmos realizes he needs that guardian angel back to save his friend an arresting tale for readers young and old beyond the station lies the sea is a terrific addition to

**beyond the station lies the sea page 1 read free from internet** - Dec 28 2021

web to the sea maybe off we go and it smells like sun and wind off we go and it smells like fish and tar and brine off we go and the swallows are seagulls we turn the corner there s the station and beyond the station we know for sure beyond the station lies the sea there are good days too

**beyond the station lies the sea amazon com** - May 13 2023

web sep 15 2009 it s not such a bad life they think but they dream of going to the sea where it s always summer and to do that they need to raise money cosmos knows a woman who might be able to help them

**beyond the station lies the sea google play** - Dec 08 2022

web beyond the station lies the sea ebook written by jutta richter read this book using google play books app on your pc android ios devices download for offline reading highlight bookmark or

[beyond the station lies the sea richter jutta 9781571316905](#) - Sep 05 2022

web beyond the station lies the sea by richter jutta at abebooks co uk isbn 10 1571316906 isbn 13 9781571316905 milkweed editions 2009 hardcover

**beyond the station lies the sea by jutta richter ebook** - Aug 04 2022

web from a celebrated author comes a tale of adventure suspense and friendship cosmos and niner have adapted to their life on the street but they decide to set out on a journey to the beach where they can enjoy the summer weather year round their plan has one hitch they need money to make the trip when a potential patron asks what the pair might be willing

*beyond the station lies the sea hardcover barnes noble* - Jun 02 2022

web sep 15 2009 beyond the station lies the sea 96 by jutta richter anna brailovsky translator editorial reviews read an excerpt of this book add to wishlist kids club eligible beyond the station lies the sea 96 by jutta richter anna brailovsky translator editorial

*a life on the stage a memoir review researchgate* - Jul 04 2022

web frankie valli the four seasons a life on stage stroll memory lane with the jersey boys on the 60th anniversary of their first 1 hit

[a life on the stage jacob adler](#) - Aug 25 2021

web sep 13 2023 after 10 years the hit boy group nsync reunited on stage at the 2023 mtv video music awards making a lot of fans very happy the former boy band is tearin up our hearts with their first reunion

[nick jonas calls out fans for throwing objects on stage stop](#) - Feb 16 2021

**the 8 stages of life what can we learn from each** - May 14 2023

web life on the stage chapter first i am born if this simple tale is to be told at all it may as well begin at the beginning and in the good old fashioned and best of all ways thus once upon a time in the canadian city of toronto on the 17th of march the sun rose bright and clear which was a most surprising thing for the sun to do on st

**frankie valli the four seasons a life on stage pbs** - Jan 30 2022

web a life on the stage jacob adler survivor tom gallacher the gay husband checklist for women who wonder bonnie kaye inheriting the trade a northern family confronts its legacy as the largest slave trading dynasty in u s history thomas norman dewolf we were brothers barry moser thermal design of nuclear reactors r

[life on the stage project gutenber](#) - Mar 12 2023

web excerpt a life on the stage a memoir by jacob adler knopf read the review my life what was it to what can it be likened

**life on the stage a memoir hardcover 1 oct 1999** - Jun 03 2022



web a life on the stage jacob adler the new socialism an impartial inquiry by jane t stoddart jane t stoddart looking in the mirror out nora nita bates oecd green growth studies compact city policies a comparative assessment oecd publishing a guide to living in the truth st benedict s teaching on humility michael casey the return of

**understanding life as a developmental process** - Oct 07 2022

web be on the stage definition 1 to be an actor 2 to be an actor learn more

**a life on the stage the new york times web archive** - Jan 10 2023

web a part of an activity or a period of development the project is in its final stages and should be completed by august they did the last stage of their journey on foot our marriage is going through a difficult stage at the moment their youngest child is at the stage where she can say individual words but not full sentences

**a life on the stage jacob adler** - Feb 28 2022

web 22 hours ago 21k likes 4 259 comments lemisha the gemini on september 16 2023 it is with great sadness that i have to let you know that my beautiful sister and friend has

**a life on the stage a memoir by jacob p adler goodreads** - Jul 16 2023

web oct 2 1999 a life on the stage book read reviews from world s largest community for readers a rediscovery a lost document of theatrical history written more than

life on the stage theatrical metaphors for ethics - Jun 15 2023

web on the stage the quality of the acting is all important whatever the role so too in life no matter the situation what matters is doing the right thing the third category concerns death the good actor stops when he ought to says epictetus diss 4 1 165 if life is a play it is less important that the play come to its scripted

*a life on the stage the new criterion* - Nov 08 2022

web the memoir of the great yiddish actor translated for the first time into english more than seventy years after its writing recreates the remarkable world of the early twentieth century theater through the life and times of one of the finest actors of the era 17 500 first printing

**malnutrition early in life sets stage for poor growth and death** - Jun 22 2021

web 2 days ago by danielle douglas gabriel and alyssa fowers sept 15 at 9 58 a m 5 paying for college is one of the biggest expenses many americans will face and if you borrow loans to cover the cost

a life on the stage adler jacob amazon com books - Apr 13 2023

web apr 16 2008 shakespeare a life on stage by yasmin alibhai brown wednesday apr 16 2008 subscriber content preview or log in share facebook life has taught me a hard lesson about the power and impact of that play my father who died in 1970 banished me from his life because i played juliet in a school production that dared to

**lemisha gemini on instagram it is with great sadness that i** - Sep 25 2021

web apr 20 2022 a life on the stage jacob adler this is not available 000305 badri vishal yadav top pop albums 1955 1996  
hardcover joel whitburn logboek z33 regine debatty the accounting function and management accounting in life insurance  
companies elizabeth a mulligan malingering and its detection under the workmen s

**sepp kuss wins vuelta a espana usa today** - Dec 17 2020

**be on the stage english meaning cambridge dictionary** - May 02 2022

web sep 13 2023 her latest play infinite life originally intended to premiere in 2021 but held because of pandemic has finally  
opened at the atlantic theater company in a co production with the national

**which animal has the shortest life span live science** - May 22 2021

web sep 17 2023 prior to the stage kuss held a 17 second lead over his teammate jonas vingegaard kuss helped his  
teammates win the giro d italia and tour de france now it s his turn to shine

*a life on the stage jacob adler* - Dec 29 2021

web 2 hours ago theatre live audiences will get to view the world through the eyes of the dictionary of lost words curious  
central character esme when the stage adaption of local author pip williams bestselling historical novel premieres in adelaide  
this month tilda cobham hervey who plays esme during rehearsals for the dictionary of lost words

*eileen atkins there are plenty of parts if you re* - Dec 09 2022

web jan 1 2003 a life on the stage a memoir review authors joel berkowitz abstract theatre journal 55 2 2003 374 375 just  
past the middle of his memoirs jacob adler describes a crisis that nearly ended

[a life on the stage jacob adler](#) - Apr 20 2021

**from the scriptorium to the stage the dictionary of lost words** - Jul 24 2021

web sep 13 2023 elisabeth mcgowan nick jonas called out a few fans after one of them threw an object at him on stage  
during the jonas brothers concert in sacramento california on monday september 11 the

**nsync reunites on stage at the 2023 mtv vmas parade** - Mar 20 2021

*a life on the stage london evening standard evening standard* - Apr 01 2022

web mar 1 2022 a life on the stage jacob adler too far too fast a desire for the truth a destination to remember trisha pyle a  
clinical pharmacology and therapeutics catechism r g spector books and persons being comments on a past epoch 1908 1911  
world cultural heritage library arnold bennett seeds the definitive guide to

**tureng on the stage türkçe İngilizce sözlük** - Sep 06 2022

web apr 10 2012 it s a populist pitch one character six actors the first is a kid the last is a senior citizen and get this they all take turns playing this same joe guy a whole life on stage the laughter

*a life on the stage jacob adler* - Oct 27 2021

web sep 10 2023 they then develop wings for the final stages the subimago and imago stages of their life cycle to mate many mayflies live for less than 24 hours in their winged forms while some don t

**shakespeare a life on stage time** - Feb 11 2023

web be on the stage f oyuncu olmak 12 deyim be on the stage f sahneye çıkmak 13 deyim go on the stage f

infinite life review annie baker s latest production is timely but - Nov 27 2021

web sep 13 2023 malnutrition affects babies much earlier than thought and more nutritional support is needed for mothers to be and their newborns to prevent disease impaired cognition and death according to new findings by researchers at uc san francisco and uc berkeley in a trio of papers appearing in nature on sept 13 2023 the researchers offer

**got student loans how to pay down your debt at any stage of life** - Jan 18 2021

stage english meaning cambridge dictionary - Aug 05 2022

web a life on the stage jacob adler there are many different flavours or interpretations of what openness means in education this free course open education is an example of a massive open online course mooc and spans seven weeks like all the free materials on openlearn this course is open to the wider world but uniquely it also forms

**a life on the stage jacob p adler free download borrow and** - Aug 17 2023

web a life on the stage by jacob p adler publication date 1999 topics adler jacob p 1855 1926 jewish actors united states biography actors united states biography theater yiddish history publisher knopf collection inlibrary printdisabled internetarchivebooks china digitizing sponsor kahle austin foundation contributor

**amazon co uk customer reviews weber 39 s mediterranes** - Sep 03 2022

web find helpful customer reviews and review ratings for weber s mediterranes grillen weber grillen german edition at amazon com read honest and unbiased product reviews

**weber s mediterranes grillen by jamie purviance overdrive** - Jan 07 2023

web feb 1 2016 partyrezepte rezepte für grillfleisch fisch und vegetarische rezepte von der vorspeise über beilagen bis zum dessert vom grillen von fleisch und fisch bis zu

**weber s mediterranes grillen help environment harvard edu** - Nov 24 2021

web neighboring to the message as competently as keenness of this weber s mediterranes grillen can be taken as without

difficulty as picked to act visitors guide 2007 weber s

**weber s mediterranes grillen by jamie purviance is available in** - Apr 29 2022

web grillen wie im süden weber rezepte mit urlaubsfeeling im süden gehört grillen zur alltagsküche einfach dazu und die tägliche frage was koche ich heute stellt sich erst

**weber s mediterranes grillen book read summary reviews** - Feb 25 2022

web discover weber s mediterranes grillen book an intriguing read explore weber s mediterranes grillen in z library and find free summary reviews read online quotes

weber s mediterranes grillen bbqpit de - Jun 12 2023

web aug 18 2016 weber s mediterranes grillen holt uns den sommer auf den grill und den teller auf 144 seiten im taschenbuchformat liefert der weber erfolgsautor jamie

*weber grillen de original weber grill online shop* - Dec 06 2022

web weber grill das original deutschlands größter weber grill markenshop jetzt günstig bei weststyle kaufen 0 eur sofortversand

**weber grill original willkommen in der welt des grillens** - Nov 05 2022

web jahrestag von weber feiere mit uns und entdecke den exklusiven retro look mit vielen extra features outdoorküchen feat bbq kitchen kreiere mit hilfe des zertifizierten

weber s mediterranes grillen customizer monos com - Sep 22 2021

web 2 weber s mediterranes grillen 2022 10 16 grill gets to the core of the grilling experience by showing and telling exactly how it s done with more than 1 000 photographs and

*weber s mediterranes grillen weber grillen kindle edition* - May 31 2022

web weber s mediterranes grillen weber grillen ebook purviance jamie amazon de kindle store

the 8 best weber grills of 2023 tested reviewed the - Aug 02 2022

web may 5 2023 to help find the right weber grill for you we tested popular models for weeks and rated each one on setup heat retention heat control size versatility and overall

weber s mediterranes grillen paperback 1 feb 2016 - Jan 27 2022

web buy weber s mediterranes grillen by purviance jamie isbn 9783833850257 from amazon s book store everyday low prices and free delivery on eligible orders

*weber grillen weber s mediterranes grillen ebook jamie* - Feb 08 2023

web weber s mediterranes grillen auf einen blick weber rezepte für die urlaubsküche 80 verführerische einfache rezepte für den kulinarischen ausflug ans mittellmeer für das

*weber s mediterranes grillen amazon com au* - Jul 01 2022

web select the department you want to search in

*gasgrills online kaufen weber grill original* - Oct 04 2022

web tragbare gasgrills aktuelle gasgrill angebote 61 ergebnisse sortieren nach grillplatte gasgrillbibel sichern spirit original e 330 gbs gasgrill 1 099 00 849 00 inkl

**weber s mediterranes grillen weber grillen kindle ausgabe** - Jul 13 2023

web weber s mediterranes grillen auf einen blick weber rezepte für die urlaubsküche 80 verführerische einfache rezepte für den kulinarischen ausflug ans mittellmeer für das

**series weber grillen overdrive** - Mar 29 2022

web weber grillen has 26 entries in the series skip to content find a library browse collections apps libby blog search by title or author browse collections apps

**weber s mediterranes grillen weber grillen broschiert** - Aug 14 2023

web weber s mediterranes grillen von gu ist pure urlaubsküche für den grill 80 verführerische schnelle rezepte für den kulinarischen ausflug ans mittellmeer so

*weber s mediterranes grillen ebook jamie purviance* - Apr 10 2023

web weber s mediterranes grillen grillen wie im süden weber rezepte mit urlaubsfeeling im süden gehört grillen zur alltagsküche einfach dazu und die weber s mediterranes

*weber s mediterranes grillen 9783833850257 amazon com* - Dec 26 2021

web weber s mediterranes grillen on amazon com free shipping on qualifying offers weber s mediterranes grillen

[weber s mediterranes grillen 9783833850257 abebooks](#) - Oct 24 2021

web abebooks com weber s mediterranes grillen 9783833850257 and a great selection of similar new used and collectible books available now at great prices

**weber s mediterranes grillen urlaubsfeeling ist inklusive** - May 11 2023

web weber grillbücher perfekte grundlage für erfolgreiches grillen daheim der grillratgeber weber s mediterranes grillen überzeugt auf den ersten blick mit vielen schönen fotos

**weber grill original willkommen in der welt des grillens** - Mar 09 2023

web outdoorküchen feat bbq kitchen kreiere mit hilfe des zertifizierten modularen anbausystems deine eigene outdoorküche für deine terrasse oder garten kontaktiere