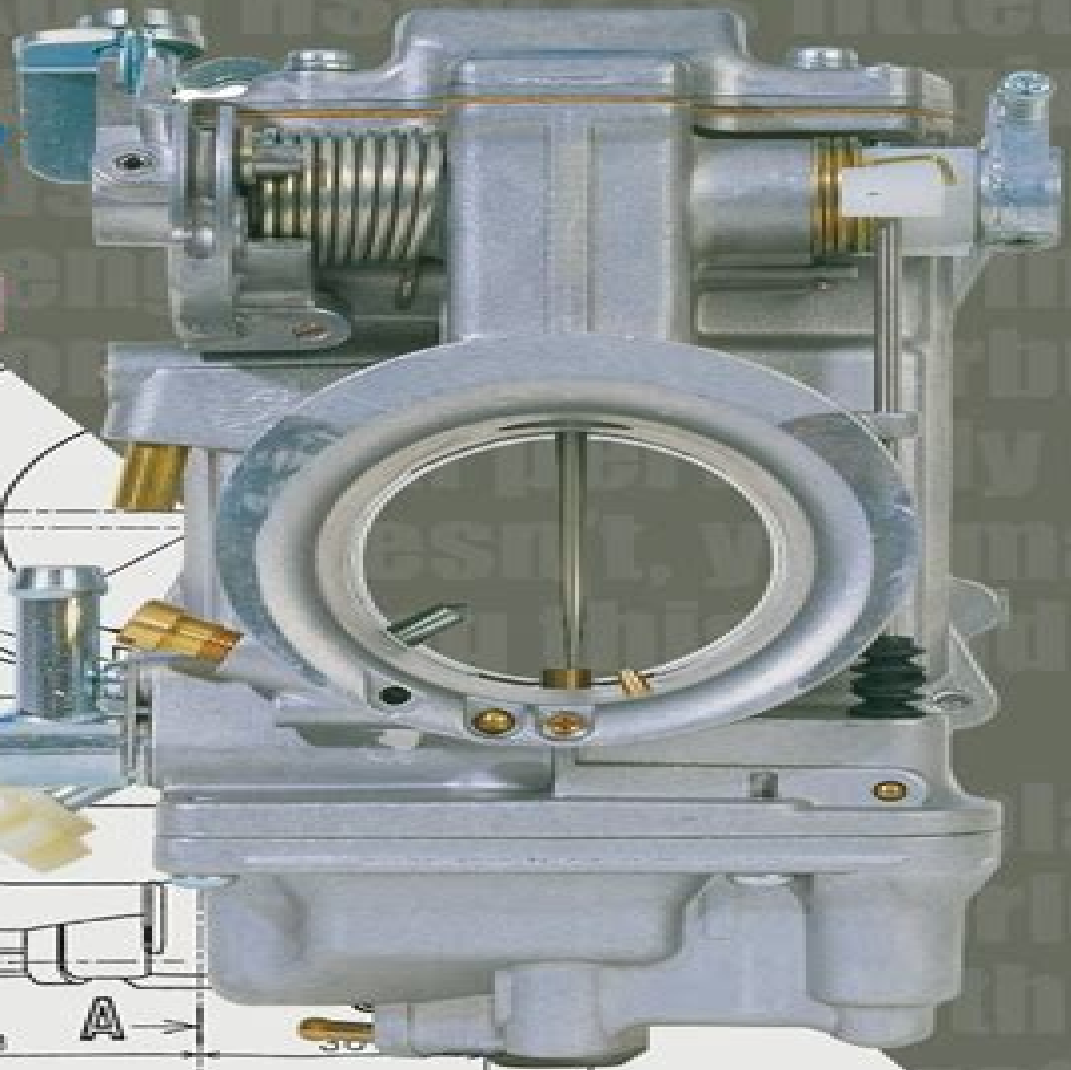


# SUZUKI



## 5th Edition Tuning Manual



**RS VM HSR TM TMX HS BN**

NOTE  
1. THE THROTTLE VALVE  
2. NO LEAKAGE AT FUEL

# Mikuni Flat Slide Carburetor Tuning Manual

**Penton Staff**



## **Mikuni Flat Slide Carburetor Tuning Manual:**

Snowmobile Service Manual Intertec Publishing Corporation. Technical Publications Division,1971 Cycle World Magazine ,1977-01 **Clymer Snowmobile Service Manual 11th Edition** Penton Staff,1991-06-01 With the help of the Clymer Snowmobile Service Manual 11th Edition in your toolbox you will be able to maintain service and repair your snowmobile to extend its life for years to come Clymer manuals are very well known for their thorough and comprehensive nature This manual is loaded with step by step procedures along with detailed photography exploded views charts and diagrams to enhance the steps associated with a service or repair task This Clymer manual is organized by subsystem with procedures grouped together for specific topics such as front suspension brake system engine and transmission It includes color wiring diagrams The language used in this Clymer repair manual is targeted toward the novice mechanic but is also very valuable for the experienced mechanic The service manual by Clymer is an authoritative piece of DIY literature and should provide you the confidence you need to get the job done and save money too Cycle World ,1994 MX & Off-Road Performance Handbook -3rd Edition Eric Gorr, **Cycle World Magazine** ,1981-01 **The Essential Guide to Motorcycle Maintenance** Mark Zimmerman,2016-12-15 A guide to motorcycle maintenance that explains how to perform the basic and essential maintenance tests with easy to follow instructions and tips for dealing with problems **American Motorcyclist** ,1985-10 American Motorcyclist magazine the official journal of the American Motorcyclist Associaton tells the stories of the people who make motorcycling the sport that it is It s available monthly to AMA members Become a part of the largest most diverse and most enthusiastic group of riders in the country by visiting our website or calling 800 AMA JOIN **American Motorcyclist** ,1985-12 American Motorcyclist magazine the official journal of the American Motorcyclist Associaton tells the stories of the people who make motorcycling the sport that it is It s available monthly to AMA members Become a part of the largest most diverse and most enthusiastic group of riders in the country by visiting our website or calling 800 AMA JOIN WALNECK'S CLASSIC CYCLE TRADER, DECEMBER 2007 Causey Enterprises, LLC, *Motorcycle Carburettor Manual* Pete Shoemark,1980 Haynes Motorcycle Carburettor Manual Pete Schoemark Provides sound knowledge of the principles of carburetor function and details the practical aspects of tuning and correcting maladjustments Completely covers overhaul and tuning of slide constant velocity and fixed jet carbs Covers Mukuni Keihin Amal Bendix and SU types Pub 1981 Sftbd 8 1 4x 1 3 4 117 pgs 237 ill *A Manual of Motor Mechanics and High Efficiency Tuning ...* L. Mantell,1918 **Mikuni Carburetor and Parts Manual** Sudco International Corporation,198? **Tuning Manual** Weber Carburatori,1985 **Tuning Made Easy** Michael Hass,2016-09-06 So you know about engines And you may have read some of the Haynes manuals the Holley Carburetors and the How to books Maybe you know how to repair and put together an engine The next step is to tune your engine so it runs perfectly and produces the most power If that engine has non stock components the books mentioned above can t help you When it comes to tuning the ignition and the carburetor on

a performance engine including how the different adjustments affect each other there has never been a single source of reliable easy to understand information Now there is This book takes you through the various steps in the process of adjusting your ignition and your carburetor including the very important sequence in which they must be done It deals with questions like If I turn the idle mixture screw out and the engine responds like this should I then turn the screw more and in which direction How do I ensure absolutely optimum jetting of my carburetor How do I create a distributor curve that optimizes ignition timing at idle part throttle and wide open throttle All the questions you ve come across when trying to adjust your engine for performance are answered here The simple step by step instructions in this book only require your time and effort Techniques like plug reading and using a vacuum gauge are described in detail Only standard tools are needed no dyno or anything like that is required In addition to engine tuning this book contains advice on choosing the right parts to ensure that they will complement each other not work against each other Plus there are many tips on troubleshooting and on winning races Finally the book also contains special tuning tips for boat engines including a chapter on the differences between a car engine and a boat engine This is the last book on engine tuning you ll ever need

**Motor Tune-up and Carburetor Service Instructions** Carter Carburetor Corporation,1946      **Olav Aaen's Carb Tuning Handbook** Olav Aaen,Aaen Performance,2001      **Weber Carburetors** ,197?      **Tune-up manual** Carter Carburetor Corporation,1935      **Olav Aaen's Carb Tuning Handbook** Olav Aaen,2005

Thank you unconditionally much for downloading **Mikuni Flat Slide Carburetor Tuning Manual**. Most likely you have knowledge that, people have seen numerous times for their favorite books with this Mikuni Flat Slide Carburetor Tuning Manual, but stop up in harmful downloads.

Rather than enjoying a fine ebook once a cup of coffee in the afternoon, then again they juggled later some harmful virus inside their computer. **Mikuni Flat Slide Carburetor Tuning Manual** is comprehensible in our digital library an online permission to it is set as public suitably you can download it instantly. Our digital library saves in combination countries, allowing you to get the most less latency epoch to download any of our books like this one. Merely said, the Mikuni Flat Slide Carburetor Tuning Manual is universally compatible subsequently any devices to read.

<https://crm.allthingsbusiness.co.uk/files/scholarship/HomePages/Minnezangen%20Van%20Hubert%20Korneliszoon%20Poot%20Ingeleid%20En%20Van%20Aantekeningen%20Voorzien.pdf>

## **Table of Contents Mikuni Flat Slide Carburetor Tuning Manual**

1. Understanding the eBook Mikuni Flat Slide Carburetor Tuning Manual
  - The Rise of Digital Reading Mikuni Flat Slide Carburetor Tuning Manual
  - Advantages of eBooks Over Traditional Books
2. Identifying Mikuni Flat Slide Carburetor Tuning Manual
  - Exploring Different Genres
  - Considering Fiction vs. Non-Fiction
  - Determining Your Reading Goals
3. Choosing the Right eBook Platform
  - Popular eBook Platforms
  - Features to Look for in an Mikuni Flat Slide Carburetor Tuning Manual
  - User-Friendly Interface
4. Exploring eBook Recommendations from Mikuni Flat Slide Carburetor Tuning Manual
  - Personalized Recommendations

- Mikuni Flat Slide Carburetor Tuning Manual User Reviews and Ratings
- Mikuni Flat Slide Carburetor Tuning Manual and Bestseller Lists
- 5. Accessing Mikuni Flat Slide Carburetor Tuning Manual Free and Paid eBooks
  - Mikuni Flat Slide Carburetor Tuning Manual Public Domain eBooks
  - Mikuni Flat Slide Carburetor Tuning Manual eBook Subscription Services
  - Mikuni Flat Slide Carburetor Tuning Manual Budget-Friendly Options
- 6. Navigating Mikuni Flat Slide Carburetor Tuning Manual eBook Formats
  - ePub, PDF, MOBI, and More
  - Mikuni Flat Slide Carburetor Tuning Manual Compatibility with Devices
  - Mikuni Flat Slide Carburetor Tuning Manual Enhanced eBook Features
- 7. Enhancing Your Reading Experience
  - Adjustable Fonts and Text Sizes of Mikuni Flat Slide Carburetor Tuning Manual
  - Highlighting and Note-Taking Mikuni Flat Slide Carburetor Tuning Manual
  - Interactive Elements Mikuni Flat Slide Carburetor Tuning Manual
- 8. Staying Engaged with Mikuni Flat Slide Carburetor Tuning Manual
  - Joining Online Reading Communities
  - Participating in Virtual Book Clubs
  - Following Authors and Publishers Mikuni Flat Slide Carburetor Tuning Manual
- 9. Balancing eBooks and Physical Books Mikuni Flat Slide Carburetor Tuning Manual
  - Benefits of a Digital Library
  - Creating a Diverse Reading Collection Mikuni Flat Slide Carburetor Tuning Manual
- 10. Overcoming Reading Challenges
  - Dealing with Digital Eye Strain
  - Minimizing Distractions
  - Managing Screen Time
- 11. Cultivating a Reading Routine Mikuni Flat Slide Carburetor Tuning Manual
  - Setting Reading Goals Mikuni Flat Slide Carburetor Tuning Manual
  - Carving Out Dedicated Reading Time
- 12. Sourcing Reliable Information of Mikuni Flat Slide Carburetor Tuning Manual
  - Fact-Checking eBook Content of Mikuni Flat Slide Carburetor Tuning Manual

- Distinguishing Credible Sources
- 13. Promoting Lifelong Learning
  - Utilizing eBooks for Skill Development
  - Exploring Educational eBooks
- 14. Embracing eBook Trends
  - Integration of Multimedia Elements
  - Interactive and Gamified eBooks

### **Mikuni Flat Slide Carburetor Tuning Manual Introduction**

Free PDF Books and Manuals for Download: Unlocking Knowledge at Your Fingertips In today's fast-paced digital age, obtaining valuable knowledge has become easier than ever. Thanks to the internet, a vast array of books and manuals are now available for free download in PDF format. Whether you are a student, professional, or simply an avid reader, this treasure trove of downloadable resources offers a wealth of information, conveniently accessible anytime, anywhere. The advent of online libraries and platforms dedicated to sharing knowledge has revolutionized the way we consume information. No longer confined to physical libraries or bookstores, readers can now access an extensive collection of digital books and manuals with just a few clicks. These resources, available in PDF, Microsoft Word, and PowerPoint formats, cater to a wide range of interests, including literature, technology, science, history, and much more. One notable platform where you can explore and download free Mikuni Flat Slide Carburetor Tuning Manual PDF books and manuals is the internet's largest free library. Hosted online, this catalog compiles a vast assortment of documents, making it a veritable goldmine of knowledge. With its easy-to-use website interface and customizable PDF generator, this platform offers a user-friendly experience, allowing individuals to effortlessly navigate and access the information they seek. The availability of free PDF books and manuals on this platform demonstrates its commitment to democratizing education and empowering individuals with the tools needed to succeed in their chosen fields. It allows anyone, regardless of their background or financial limitations, to expand their horizons and gain insights from experts in various disciplines. One of the most significant advantages of downloading PDF books and manuals lies in their portability. Unlike physical copies, digital books can be stored and carried on a single device, such as a tablet or smartphone, saving valuable space and weight. This convenience makes it possible for readers to have their entire library at their fingertips, whether they are commuting, traveling, or simply enjoying a lazy afternoon at home. Additionally, digital files are easily searchable, enabling readers to locate specific information within seconds. With a few keystrokes, users can search for keywords, topics, or phrases, making research and finding relevant information a breeze. This efficiency saves time and effort, streamlining the learning process and allowing individuals to

focus on extracting the information they need. Furthermore, the availability of free PDF books and manuals fosters a culture of continuous learning. By removing financial barriers, more people can access educational resources and pursue lifelong learning, contributing to personal growth and professional development. This democratization of knowledge promotes intellectual curiosity and empowers individuals to become lifelong learners, promoting progress and innovation in various fields. It is worth noting that while accessing free Mikuni Flat Slide Carburetor Tuning Manual PDF books and manuals is convenient and cost-effective, it is vital to respect copyright laws and intellectual property rights. Platforms offering free downloads often operate within legal boundaries, ensuring that the materials they provide are either in the public domain or authorized for distribution. By adhering to copyright laws, users can enjoy the benefits of free access to knowledge while supporting the authors and publishers who make these resources available. In conclusion, the availability of Mikuni Flat Slide Carburetor Tuning Manual free PDF books and manuals for download has revolutionized the way we access and consume knowledge. With just a few clicks, individuals can explore a vast collection of resources across different disciplines, all free of charge. This accessibility empowers individuals to become lifelong learners, contributing to personal growth, professional development, and the advancement of society as a whole. So why not unlock a world of knowledge today? Start exploring the vast sea of free PDF books and manuals waiting to be discovered right at your fingertips.

### FAQs About Mikuni Flat Slide Carburetor Tuning Manual Books

**What is a Mikuni Flat Slide Carburetor Tuning Manual PDF?** A PDF (Portable Document Format) is a file format developed by Adobe that preserves the layout and formatting of a document, regardless of the software, hardware, or operating system used to view or print it. **How do I create a Mikuni Flat Slide Carburetor Tuning Manual PDF?** There are several ways to create a PDF: Use software like Adobe Acrobat, Microsoft Word, or Google Docs, which often have built-in PDF creation tools. Print to PDF: Many applications and operating systems have a "Print to PDF" option that allows you to save a document as a PDF file instead of printing it on paper. Online converters: There are various online tools that can convert different file types to PDF. **How do I edit a Mikuni Flat Slide Carburetor Tuning Manual PDF?** Editing a PDF can be done with software like Adobe Acrobat, which allows direct editing of text, images, and other elements within the PDF. Some free tools, like PDFescape or Smallpdf, also offer basic editing capabilities. **How do I convert a Mikuni Flat Slide Carburetor Tuning Manual PDF to another file format?** There are multiple ways to convert a PDF to another format: Use online converters like Smallpdf, Zamzar, or Adobe Acrobat's export feature to convert PDFs to formats like Word, Excel, JPEG, etc. Software like Adobe Acrobat, Microsoft Word, or other PDF editors may have options to export or save PDFs in different formats. **How do I password-protect a Mikuni Flat Slide Carburetor Tuning Manual PDF?** Most PDF



editing software allows you to add password protection. In Adobe Acrobat, for instance, you can go to "File" -> "Properties" -> "Security" to set a password to restrict access or editing capabilities. Are there any free alternatives to Adobe Acrobat for working with PDFs? Yes, there are many free alternatives for working with PDFs, such as: LibreOffice: Offers PDF editing features. PDFsam: Allows splitting, merging, and editing PDFs. Foxit Reader: Provides basic PDF viewing and editing capabilities. How do I compress a PDF file? You can use online tools like Smallpdf, ILovePDF, or desktop software like Adobe Acrobat to compress PDF files without significant quality loss. Compression reduces the file size, making it easier to share and download. Can I fill out forms in a PDF file? Yes, most PDF viewers/editors like Adobe Acrobat, Preview (on Mac), or various online tools allow you to fill out forms in PDF files by selecting text fields and entering information. Are there any restrictions when working with PDFs? Some PDFs might have restrictions set by their creator, such as password protection, editing restrictions, or print restrictions. Breaking these restrictions might require specific software or tools, which may or may not be legal depending on the circumstances and local laws.

### **Find Mikuni Flat Slide Carburetor Tuning Manual :**

~~minnezangen van hubert korneliszoon poot ingeleid en van aantekeningen voorzien~~

~~mitchell 1 diy auto repair manual~~

~~mission impossible om kreativitetens magi danish edition~~

~~missa brevis book with cd for trombone and organ~~

~~minicuentos de lobos y pingüinos para ir a dormir~~

~~misc engines galloway frost proof 2 12 5 7 12 10 15 hp pts operators manual~~

~~mis primeros calcetines letra mayuscula~~

**minimax theorems progress in nonlinear differential equations and their applications**

~~misc tractors toyota skid steer models 2sgk6 2sdk6 2sdk7 2sdk8 operators manual~~

~~minolta di250 manual~~

~~minolta srt 101 manual~~

**minimal surfaces of codimension one minimal surfaces of codimension one**

~~mitsubishi 3000gt 1991 factory service repair manual~~

~~minolta bizhub 162 210 service manual~~

**mitchell motorcycle collision manual**

**Mikuni Flat Slide Carburetor Tuning Manual :**

How Many Bugs in a Box?: A Pop-up... by Carter, David A. How Many Bugs in a Box?: A Pop-up... by Carter, David A. How Many Bugs in a Box? by Carter, David A. Inside each bright box are bugs to count from one to ten. Young children will laugh and learn as they lift open the boxes and find colorful, comical bugs that ... How Many Bugs in a Box?: A Pop-up Counting Book Here is the book that started the Bugs phenomenon! Inside each bright box are bugs to count from one to ten. Bugs fans will laugh and learn as they lift. How Many Bugs in a Box? | Book by David A. Carter Inside each bright box are bugs to count from one to ten. Bugs fans will laugh and learn as they lift open the boxes and find colorful, comical bugs that pop ... How Many Bugs in a Box?: A Pop Up Counting Book Inside each bright box are bugs to count from one to ten. Young children will laugh and learn as they lift open the boxes and find colorful, comical bugs that ... How Many Bugs in a Box?-A Pop-up Counting Book Here is the book that started the Bugs phenomenon! Inside each bright box are bugs to count from one to ten. Bugs fans will laugh and learn as they lift ... How Many Bugs In A Box? - (david Carter's ... - Target Inside each bright box are bugs to count from one to ten. Bugs fans will laugh and learn as they lift open the boxes and find colorful, comical bugs that pop ... How Many Bugs in a Box?: A Pop Up... book by David ... Inside each bright box are bugs to count from one to ten. Young children will laugh and learn as they lift open the boxes and find colorful, comical bugs that ... A Pop-Up Counting Book ( David Carter's Bugs ) Here is the book that started the Bugs phenomenon! Inside each bright box are bugs to count from one to ten. Bugs fans will laugh and learn as they lift ... Kinn's Administrative Medical Assistant Chapter 12 Study ... Kinn's Administrative Medical Assistant Chapter 12 Study Guide Flashcards | Quizlet. Kinn's Administrative Medical Assistant - Chapter 1 Includes all vocab words, certification prep questions from workbook, class quiz questions, and various other questions. Complete Test Bank Kinn's The Administrative Medical ... Oct 28, 2022 — Complete Test Bank Kinn's The Administrative Medical Assistant 14th Edition Niedzwiecki Questions & Answers with rationales (Chapter 1-22). Administrative Medical Assistant Study Guide If Looking ... If looking for the book Administrative medical assistant study guide in pdf format, then you've come to the loyal website. We present the full edition of ... Kinns Medical Assistant Chapter 1 Study Guide | PDF Kinns Medical Assistant Chapter 1 Study Guide - Read online for free. Study Guide Questions from Quizlet. Study Guide and Procedure Checklist Manual for K This robust companion guide offers a wide range of activities to strengthen your understanding of common administrative skills — including certification ... Kinn's The Administrative Medical Assistant - Te: 15th edition Dec 23, 2022 — Kinn's The Administrative Medical Assistant - Text and Study Guide Package, 15th Edition. Author : By Brigitte Niedzwiecki, RN, MSN, RMA and ... Kinn's The Administrative Medical Assistant, 15th Edition Study Guide and Procedure Checklist Manual for Kinn's The Administrative Medical Assistant. Paperback. ISBN: 9780323874137. Elsevier Adaptive Quizzing for ... Study Guide and Procedure Checklist Manual for Kinn's ... This robust companion guide offers a wide range of activities to strengthen your understanding of common administrative skills —

including certification ... Study Guide for Kinn's The Administrative Medical Assistant This robust companion guide offers a wide range of exercises to reinforce your understanding of common administrative skills — including new certification ...

KODAK EASYSHARE CD14 Digital Camera See your printer user's guide for details. □ Make prints at an SD/SDHC Card ... Download the latest versions of KODAK EASYSHARE Software and the camera. Kodak EasyShare Z1012 IS digital camera printer user guide or visit [www.kodak.com/go/z1012accessories](http://www.kodak.com/go/z1012accessories).) Printing from an EasyShare all-in-one printer. 1 Turn on the printer. Turn on the camera. The ... Kodak EasyShare Camera Instruction Manual PDF, Free ... User Guides & Manuals for Kodak Digital Cameras, Film Cameras & Vintage Cameras PDF Operating Instructions in English - Free Download. Kodak EasyShare-One zoom digital camera More than just a digital camera, the Kodak. EasyShare-One zoom digital camera combines. Kodak's signature ease-of-use with new technology into a single, ... Kodak EasyShare V705 dual lens digital camera Manual: You choose the first and last frames; the camera chooses 2, 7, or 14 equally spaced frames. Full Manual: You choose 4, 9, or 16 frames. A 4-, 9-, or 16- ... KODAK EASYSHARE Digital Frames KODAK EASYSHARE Digital Frames. Extended user guide. P730/P730m/P736 [www.kodak.com](http://www.kodak.com) · For help with your digital frame, [www.kodak.com/go/digitalframesupport](http://www.kodak.com/go/digitalframesupport) ... Free Kodak Digital Camera User Manuals | ManualsOnline.com Camera manuals and free digital camera pdf instructions. Find the user manual you need for your camera and more at ManualsOnline. Download User Manuals Download User Manuals ; Scanza. SCANZA User Manual. Pocket Portable Projector. Pocket Portable Projector User Manual ; Mini Shot Instant Camera. Mini Shot Instant ... Kodak EasyShare C663 zoom digital camera For details, see Transferring and printing pictures, page 13. Attaching the strap. Follow the on-screen instructions. We recommend Complete or Easy Install. KODAK EASYSHARE Z915 Digital Camera [www.kodak.com/go/support](http://www.kodak.com/go/support). Appendix. Important safety instructions. CAUTION: Do not disassemble this product; there are no user-serviceable parts inside. Refer ...