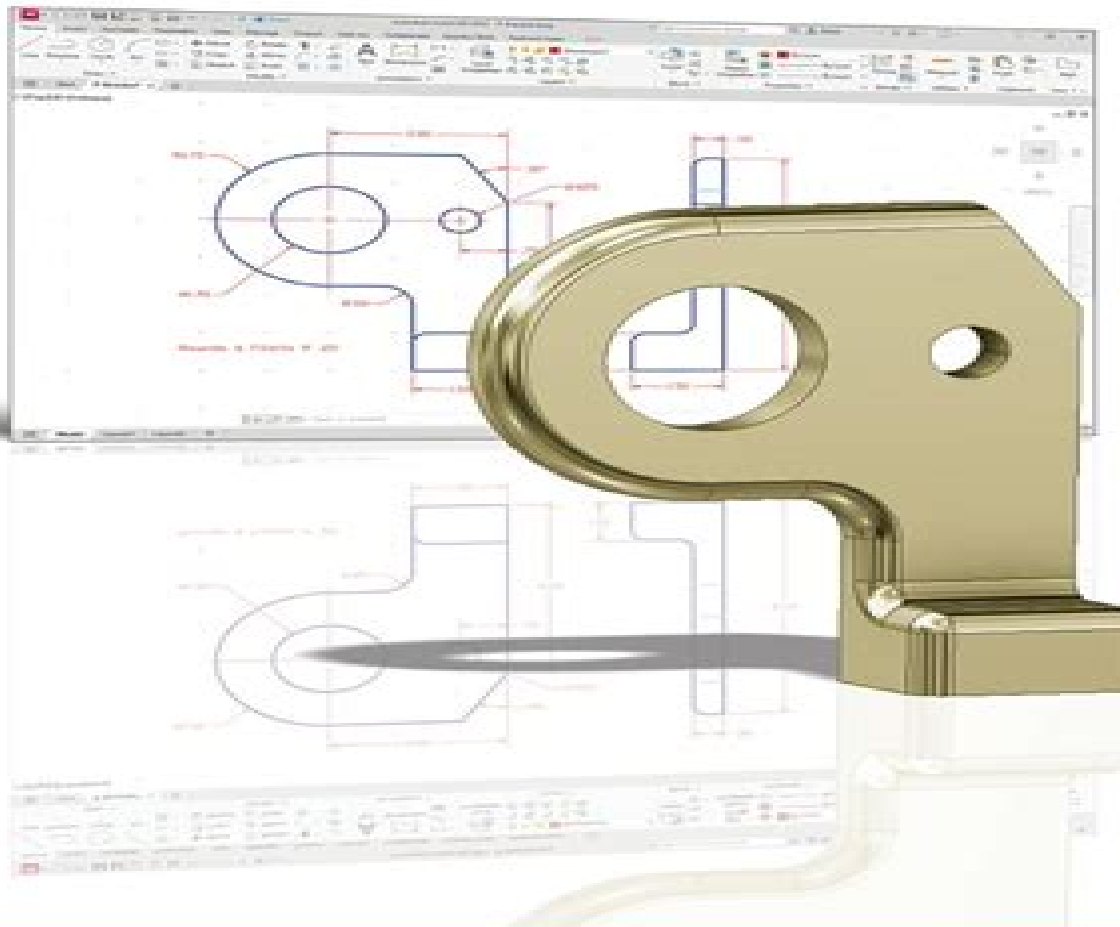


AutoCAD 2025 Tutorial

First Level 2D Fundamentals

Videos
Includes Comprehensive
Video Support



Randy H. Shih
Luke Jumper

Twitter 2025 Tutorial

Brett Petersel, Esther Schindler



Twitter 2025 Tutorial:

Digital Marketing Analytics: Unlocking Data-Driven Success Dr. Kiran Kumari, Dr. Rishi Dev , **Software Architecture. ECSA 2025 Tracks and Workshops** Domenico Bianculli, Hassan Sartaj, Vasilios Andrikopoulos, Cesare Pautasso, Tommi Mikkonen, Jennifer Perez, Tomáš Bureš, Martina De Sanctis, Henry Muccini, Elena Navarro, Mohamed Soliman, Uwe Zdun, 2025-09-07 This book constitutes the refereed proceedings of the tracks and workshops which complemented the 19th European Conference on Software Architecture ECSA 2025 held in Limassol Cyprus during September 15 19 2025 The 13 full papers and 19 short papers presented in this volume were carefully reviewed and selected from 56 submissions They are grouped into the following topics Tools and Demos Tutorial Doctoral Symposium 1st International Workshop on AI Assisted Software Architecting AISA 5th International Workshop on Agility with Microservices Programming AMP 1st International Workshop on Architecting Digital Twin of an Organization ArchDTO 12th Workshop on Adaptive and Reconfigurable Systems and Architectures AROSA 8th International Workshop on Context Aware Autonomous and Smart Architectures CASA 1st International Workshop on Software Architecture for Data Intensive Systems SADIS

Twitter For Dummies Laura Fitton, Anum Hussain, Brittany Leaning, 2014-12-31 A fully updated new edition of the fun and easy guide to getting up and running on Twitter With more than half a billion registered users Twitter continues to grow by leaps and bounds This handy guide from one of the first marketers to discover the power of Twitter covers all the new features It explains all the nuts and bolts how to make good connections and why and how Twitter can benefit you and your business Fully updated to cover all the latest features and changes to Twitter Written by a Twitter pioneer who was one of the first marketers to fully tap into Twitter s business applications Ideal for beginners whether they want to use Twitter to stay in touch with friends or to market their products and services Explains how to incorporate Twitter into other social media and how to use third party tools to improve and simplify Twitter [The Rough Guide Snapshot to Social Media: Twitter Basics](#) Sean Mahoney, 2012-09-24 The Rough Guide Snapshot to Social Media Twitter Basics will tell you everything you need to know to get started on Twitter the biggest contender to Facebook s social networking crown Twitter s simple fast furious and incredibly effective formula has made it the site for breaking news gossip and generally staying in touch and all within a maximum of 140 characters This guide will walk you through set up and sending your first tweet to basic business applications It also includes tips on privacy reaching out to new followers and managing your messages as their volume increases Get connected now from your desk or on the move and join the social media revolution Also published as part of [The Rough Guide to Social Media for Beginners](#) Full coverage Getting started Adjust your settings Privacy Tweeting Respect your limits Videos Following The sidebar Going mobile Mobile shorthand Twitter Facebook Twitter for business Twitter Parties Equivalent printed page extent 34 pages *Twitter Your Business* Mark Shaw, 2011-03-21 Making an impact 140 characters at a time Twitter is not a get rich quickly tool You will achieve very little by just having an account It takes time

effort and commitment to stand a chance of success on Twitter. However, if you are prepared to spend some time on Twitter each day finding people and conversations where you can add value, then things may well happen for you. The real value of Twitter is in the ability to search for real people talking about real stuff right now and in real time. This offers individuals, businesses, and brands the real opportunity to stop talking at customers and start talking with customers. A subtle but huge difference.

The Complete Idiot's Guide to Twitter Marketing Brett Petersel, Esther Schindler, 2012-05-01. Twitter has tens of millions of users and its active tweeters and followers look to it to answer the question "What's happening?" Businesses, both large and small, can quickly and easily send out highly targeted messages to key customers using Twitter. However, simply grasping only the mechanics of Twitter and flogging a message nobody cares about isn't enough to make a measurable difference. Worse, using Twitter the wrong way can damage a company's brand.

The Complete Idiot's Guide to Twitter Marketing blends an understanding of Twitter's powerful tools and reach with marketing savvy and the key to really engaging followers and converting them to customers. It also covers new features such as the increasing importance of search engine optimization.

Ultimate Guide to Twitter for Business Ted Prodromou, 2013-01-29. Offers the secret sauce recipe for crafting the elusive sticky Tweets that win followers and supporters. It also shows how to mine Tweets from others to gain the trust of potential partners and customers.

Original Twitter For Dummies Laura Fitton, Michael Gruen, Leslie Poston, 2010-07-09. A fully updated guide to the how and why of using Twitter. The fastest growing social network utility sports new features and they're all covered in this how-to guide from a leading Twitter marketing consultant. Nearly 20 million people are tweeting on Twitter and this book shows you how to join them and why you should. You'll learn the nuts and bolts of using Twitter, how to make good connections, and how it can benefit your life and your business. Twitter is the fastest growing of the social networking tools; this book gets you up to speed on the basics as well as how Twitter can enrich your life and boost your business. Explains how to sign up, find friends, and people you want to follow; make the most of shortcuts; use popular Twitter tools; and Twitter on the go. Discusses how Twitter can be used for business fundraising and maintaining contact with people who share common goals. With complete information about all the latest Twitter enhancements, **Twitter For Dummies 2nd Edition** will help you get the most from this popular social networking tool.

TWITTER SUCCESS TRAINING GUIDE Macarena Torres, 2020-12-09. If you're looking for a fairly automated way to build a brand online, you don't have to look further than Twitter. In fact, for the longest time, a lot of marketers and marketing companies have long considered Twitter as a great place for brand formation. If you're looking for an online brand, Twitter is a great place to start. It's easy to see why Twitter is so easy to use. You just need to post a tweet that is one hundred forty characters. You need to do it long enough. You must pick the right hashtags. You must pick the right content and give enough focus and attention to detail; you will get it right. It's just a matter of time. Of course, this does not mean automatic success, but with everything else being equal, Twitter compared to other social media platforms is easier to master. Why? First, it is very

friendly to automation That s right You can automate pretty much everything you do on Twitter Therefore a lot of people use it to make money from the Internet on autopilot They don t have to babysit each tweet They don t have to sit around to figure out what s going on They can pretty much set a strategy let the software do it let the process run for some time double check their work make some adjustments here and there and then let it run In other words Twitter is one of those platforms that you just must figure out in broad terms to lay out an initial strategy Implement that strategy and then learn from your results

Twitter Tips, Tricks, and Tweets Paul McFedries,2010-05-14 Maximize your fun and boost your productivity with this updated full color guide to tantalizing Twitter tips The popularity of Twitter continues to soar and is fast becoming the most popular social networking site online Whether you re looking to learn how to set up an account for the first time or are on the prowl for some cool third party Twitter apps this full color guide will boost your entire Twitter experience Allowing you to communicate with fellow Twitters within a 140 character limit this fun and fascinating social networking tool is easier than maintaining a blog and quicker than sending an e mail or text With these tips tricks and tweets you ll stay in the know and up to date on anything and everything you find interesting Explores the newest Twitter features including the new re tweet feature which adds a re tweet button to each tweet on a person s timeline much like the sites current reply button Discusses Twitter s new search widget which is more sophisticated and precise Shows how to use the just announced Geolocation API which adds location based information to tweets Explains how to tweet from mobile devices Shows how to add Twitter to a blog or to other social networking sites such as Facebook Offers ideas for using Twitter in business as well as for personal contacts Covers Twitter terminology and provides helpful tips and tricks for expanding Twitter s usefulness through third party applications Explore the possibilities of Twitter and discover what the buzz is all about with this tremendously terrific guide to Twitter

A Tutorial for Using Twitter Data in the Social Sciences Pascal Jürgens,2016 The ever increasing use of digital tools and services has led to the emergence of new data sources for social scientists data wittingly or unwittingly produced by users while interacting with digital tools The potential of these digital trace data is well established Still in practice the process of data collection preparation and storage and subsequent analysis can provide challenges With this tutorial we provide a guide for social scientists to the collection preparation and analysis of digital trace data collected on the microblogging service Twitter This tutorial comes with a set of scripts providing researchers with a starter kit of code allowing them to search collect and prepare Twitter data following their specific research interests We will start with a general discussion of the research process with Twitter data Following this we will introduce a set of scripts for data collection on Twitter After this we will introduce various scripts for the preparation of data for analysis We then present a series of examples for typical analyses that could be run with Twitter data Here we focus on counts time series and networks We close this tutorial with a discussion of challenges in establishing digital trace data as a normal data source in the social sciences

Everything Twitter - From Novice to Expert Soho, Steve,Jones, Monica,2009-04-28 EVERYTHING TWITTER

The Unofficial Guide to Everything twitter A Beginners Guide into the World of Twitter Chapters include A detailed Introduction to Twitter How to Get Started with Twitter The Secrets How To Get More Followers The 5 Step Twitter Starter Program A River of Uselessness Awesome Twitter Ranking Websites The 50 Most Popular Twitter Users Twitters followfriday Social Convention The Official Twitter Shortcut Text Commands How to Search and Find People The Twitter Dictionary The Best Twitter Tools and 3rd party Websites Twitter on Your Mobile Phone or Mobile Device Where to find Free Designs and Graphics How to add Twitter to your Website and Blog and much more This edition is the full color edition

Twitter Guide: For Seniors Jacob Gleam,2015-05-21 Twitter is one of the many social media platforms that people use to communicate ideas jokes and other types of information The information is displayed in what are known as tweets which usually allow the twitter users a 140 character limit to share anything Twitter is used globally and can be used for business personal use and for group communications The site is a fun way to interact with others and it differs from other platforms in that the user gets to read the content in a short period and decide whether he or she would like to open any links found on the tweet to read it further

Twitter In 30 Minutes (3rd Edition) Ian Lamont,2016-01-04 Are you interested in using Twitter but don t know where to start Are you mystified by hashtags retweets and other strange conventions The revised and expanded third edition of Twitter In 30 Minutes is here to help This unofficial Twitter tutorial will walk you through the basics using plain English step by step instructions and lots of examples from real Twitter users In no time you ll learn how to Create a new Twitter account online or on your phone Customize your Twitter profile with photos and a bio that s right for you Navigate Twitter icons the Twitter app and Twitter com Follow other Twitter accounts and block those you don t like Identify local people and organizations using Twitter Find people who share the same interests and hobbies Compose your first Tweets Share photos Use hashtags retweets and other Twitter conventions There s more Twitter In 30 Minutes shows you how all kinds of people use Twitter to promote their businesses connect with their followers explore their interests and have fun It s peppered with real world examples from everyday people to celebrities Authored by award winning technology journalist Ian Lamont the revised third edition of Twitter In 30 Minutes covers Twitter s new interface for the Web and mobile devices such as the iPhone and Android phones There are new screenshots along with instructions for registration on iOS and Android devices Twitter In 30 Minutes is a perfect introduction to people who are new to Twitter as well as those who already have accounts and want to learn how to get the most out of Twitter Buy the book today Here s what real readers are saying about TWITTER IN 30 MINUTES I quickly set up a Twitter account and started using it within a half hour I would recommend this book for anyone who doesn t have a Twitter account for those who do have one but aren t actively using it and for those who aren t quite sure how to get the most out of their account Though I have been using Twitter for some time now I still learned a thing or two from reading this Clarified any issues I had or concerns and listed some excellent precautions Perfect introduction to Twitter Quick and easy read with lots of photos I finally understand the I ve been

tweeting for over a year but learned a lot of helpful details I hadn't been aware of until now Lots of easy to understand info and good instructions with screenshots that make it easy to understand Thanks for the help and making Twitter even more fun Just the quick light intro I wanted No annoying bits of philosophy Some careful warnings about privacy and courtesy are included You really can skim it in 30 minutes Easy to read and actually fun to fire up my twitter account and play along with each chapter Everyone has 30 spare minutes spread out over a week if not a day to read this guide Ready... Set... Tweet! A Speedy Guide to Twitter Lou Belcher,2010-02-16 From sign in to sign out Ready Set Tweet A Speedy Guide to Twitter tells you how to get ready get set up and get started on Twitter in no time Find out what Twitter's all about what Twitter can do for you how to sign up and sign in how to make your Twitter site look appealing to others the ins and outs of following and followers how to Tweet how to put it all together Ready Set Tweet is the bare bones how to book on the popular social media site Twitter It concentrates on what you need to know about micro blogging to get up and going with your own Twitter site Short and to the point it's a Tweet size book with information to help you get started **The Ingenious Guide to Twitter - B/W Edition** Steve Eason,2013-03-04 Learn How To Setup And Effectively Use Twitter To Create A Following Black and White Edition Inside pages are NOT in colorThe secrets to getting more followers using Twitter is just a short read away Twitter is an amazing tool that has come from a small little known service to one of the top 10 most visited websites in the world With over 500 million active users Twitter sees more than 340 million tweets and over 1.6 billion searches each day One of the biggest issues that new users face is understanding how to use the service to their advantage and how to reach current and potential customers for their business In this guide I'll show you how to setup your Twitter account from scratch show you how to customize it to match your brand and how to use it more effectively Learn How To Set up your account quickly and easilySet up a profile that makes people want to follow youDesign and setup a profile page that shows your personality and encourages followersGet a better understanding of just how to use Twitter and how to use it effectivelyLearn what to Tweet and when to TweetGet a better understanding of how you use TwitterLearn how to search and track activity on Twitter so you know how to improve your usageBefore you know it you'll be a Twitter Guru This is the BLACK and WHITE version of the book I also have a COLOR copy available if you want everything in full color **Is It Wrong to Try to Pick Up Girls in a Dungeon? Minor Myths and Legends, Vol. 1 (light novel)** Fujino Omori,2025-03-18 A CHRONICLE OF STORIES BIG AND SMALL The vast metropolis of Orario sits atop an underground labyrinth known as the Dungeon It is a city of adventurers people who put everything on the line to keep the endless swarms of monsters at bay and to explore the unknown It is a place where heroes are made and legends are born Of course plenty of stories in Orario are far less epic in scale and a surprising number of them revolve around a young boy whose dreams brought him to the doorstep of the Labyrinth City where he met a certain goddess **The Definitive Twitter Guide** Shannon Evans,Richard Geasey,2010-08-20 Social media tools like Twitter Facebook and LinkedIn help businesses share information and connect

with potential customers What business can succeed without getting to know its customers What business can survive without being seen as a reliable place for information or products Social media promotes and supports businesses prospecting for new customers connecting with existing customers and listening to what is going on in their community and their industry Twitter is a powerful way to connect with people and other businesses Connections ultimately keep you in business This book will help you de mystify Twitter for business focused on small business marketing on the Internet The Definitive Twitter Guide provides quality resources tips and techniques for small business owners looking to effectively compete on the web *The Ingenious Guide to Twitter* Steve Eason,2012-12-07 Learn How To Setup And Effectively Use Twitter To Create A Following FULL COLOR EditionThe secrets to getting more followers using Twitter is just a short read away Twitter is an amazing tool that has come from a small little known service to one of the top 10 most visited websites in the world With over 500 million active users Twitter sees more than 340 million tweets and over 1.6 billion searches each day One of the biggest issues that new users face is understanding how to use the service to their advantage and how to reach current and potential customers for their business In this guide I'll show you how to setup your Twitter account from scratch show you how to customize it to match your brand and how to use it more effectively Learn How To Set up your account quickly and easilySet up a profile that makes people want to follow youDesign and setup a profile page that shows your personality and encourages followersGet a better understanding of just how to use Twitter and how to use it effectivelyLearn what to Tweet and when to TweetGet a better understanding of how you use TwitterLearn how to search and track activity on Twitter so you know how to improve your usageBefore you know it you'll be a Twitter Guru This is the FULL COLOR version of the book I also have a B/W copy available if you don't need everything in full color *The Rough Guide to Social Media for Beginners* Rough Guides,2012-07-05 If you haven't joined the social media revolution yet don't fret there's still time But with so much out there where do you even start Something more than a text message something less than a phone call not engaging in these new types of online social messaging could mean you are missing out on the action without either friends or followers Business leisure and everything in between is covered and this guide walks the uninitiated through setup to maintenance and gives you the skills to make your pages lively and relevant to the people you know or work with and the folk you're about to meet or reach out to The term social media covers an ever expanding suite of apps blogs and wikis but this book focuses on the most popular and personal forms of social media Facebook and Twitter Significant attention is also paid to Google the latest direct challenge to Facebook's overwhelming dominance of social networking Start connecting now with *The Rough Guide to Social Media for Beginners* Now available in ePub format

When people should go to the ebook stores, search instigation by shop, shelf by shelf, it is in fact problematic. This is why we offer the book compilations in this website. It will utterly ease you to see guide **Twitter 2025 Tutorial** as you such as.

By searching the title, publisher, or authors of guide you in point of fact want, you can discover them rapidly. In the house, workplace, or perhaps in your method can be every best place within net connections. If you seek to download and install the Twitter 2025 Tutorial, it is extremely simple then, since currently we extend the connect to purchase and make bargains to download and install Twitter 2025 Tutorial fittingly simple!

https://crm.allthingsbusiness.co.uk/About/publication/index.jsp/injury_report_best.pdf

Table of Contents Twitter 2025 Tutorial

1. Understanding the eBook Twitter 2025 Tutorial
 - The Rise of Digital Reading Twitter 2025 Tutorial
 - Advantages of eBooks Over Traditional Books
2. Identifying Twitter 2025 Tutorial
 - Exploring Different Genres
 - Considering Fiction vs. Non-Fiction
 - Determining Your Reading Goals
3. Choosing the Right eBook Platform
 - Popular eBook Platforms
 - Features to Look for in an Twitter 2025 Tutorial
 - User-Friendly Interface
4. Exploring eBook Recommendations from Twitter 2025 Tutorial
 - Personalized Recommendations
 - Twitter 2025 Tutorial User Reviews and Ratings
 - Twitter 2025 Tutorial and Bestseller Lists
5. Accessing Twitter 2025 Tutorial Free and Paid eBooks

- Twitter 2025 Tutorial Public Domain eBooks
 - Twitter 2025 Tutorial eBook Subscription Services
 - Twitter 2025 Tutorial Budget-Friendly Options
6. Navigating Twitter 2025 Tutorial eBook Formats
 - ePub, PDF, MOBI, and More
 - Twitter 2025 Tutorial Compatibility with Devices
 - Twitter 2025 Tutorial Enhanced eBook Features
 7. Enhancing Your Reading Experience
 - Adjustable Fonts and Text Sizes of Twitter 2025 Tutorial
 - Highlighting and Note-Taking Twitter 2025 Tutorial
 - Interactive Elements Twitter 2025 Tutorial
 8. Staying Engaged with Twitter 2025 Tutorial
 - Joining Online Reading Communities
 - Participating in Virtual Book Clubs
 - Following Authors and Publishers Twitter 2025 Tutorial
 9. Balancing eBooks and Physical Books Twitter 2025 Tutorial
 - Benefits of a Digital Library
 - Creating a Diverse Reading Collection Twitter 2025 Tutorial
 10. Overcoming Reading Challenges
 - Dealing with Digital Eye Strain
 - Minimizing Distractions
 - Managing Screen Time
 11. Cultivating a Reading Routine Twitter 2025 Tutorial
 - Setting Reading Goals Twitter 2025 Tutorial
 - Carving Out Dedicated Reading Time
 12. Sourcing Reliable Information of Twitter 2025 Tutorial
 - Fact-Checking eBook Content of Twitter 2025 Tutorial
 - Distinguishing Credible Sources
 13. Promoting Lifelong Learning
 - Utilizing eBooks for Skill Development

- Exploring Educational eBooks
- 14. Embracing eBook Trends
 - Integration of Multimedia Elements
 - Interactive and Gamified eBooks

Twitter 2025 Tutorial Introduction

Free PDF Books and Manuals for Download: Unlocking Knowledge at Your Fingertips In today's fast-paced digital age, obtaining valuable knowledge has become easier than ever. Thanks to the internet, a vast array of books and manuals are now available for free download in PDF format. Whether you are a student, professional, or simply an avid reader, this treasure trove of downloadable resources offers a wealth of information, conveniently accessible anytime, anywhere. The advent of online libraries and platforms dedicated to sharing knowledge has revolutionized the way we consume information. No longer confined to physical libraries or bookstores, readers can now access an extensive collection of digital books and manuals with just a few clicks. These resources, available in PDF, Microsoft Word, and PowerPoint formats, cater to a wide range of interests, including literature, technology, science, history, and much more. One notable platform where you can explore and download free Twitter 2025 Tutorial PDF books and manuals is the internet's largest free library. Hosted online, this catalog compiles a vast assortment of documents, making it a veritable goldmine of knowledge. With its easy-to-use website interface and customizable PDF generator, this platform offers a user-friendly experience, allowing individuals to effortlessly navigate and access the information they seek. The availability of free PDF books and manuals on this platform demonstrates its commitment to democratizing education and empowering individuals with the tools needed to succeed in their chosen fields. It allows anyone, regardless of their background or financial limitations, to expand their horizons and gain insights from experts in various disciplines. One of the most significant advantages of downloading PDF books and manuals lies in their portability. Unlike physical copies, digital books can be stored and carried on a single device, such as a tablet or smartphone, saving valuable space and weight. This convenience makes it possible for readers to have their entire library at their fingertips, whether they are commuting, traveling, or simply enjoying a lazy afternoon at home. Additionally, digital files are easily searchable, enabling readers to locate specific information within seconds. With a few keystrokes, users can search for keywords, topics, or phrases, making research and finding relevant information a breeze. This efficiency saves time and effort, streamlining the learning process and allowing individuals to focus on extracting the information they need. Furthermore, the availability of free PDF books and manuals fosters a culture of continuous learning. By removing financial barriers, more people can access educational resources and pursue lifelong learning, contributing to personal growth and professional development. This democratization of knowledge promotes intellectual curiosity and empowers

individuals to become lifelong learners, promoting progress and innovation in various fields. It is worth noting that while accessing free Twitter 2025 Tutorial PDF books and manuals is convenient and cost-effective, it is vital to respect copyright laws and intellectual property rights. Platforms offering free downloads often operate within legal boundaries, ensuring that the materials they provide are either in the public domain or authorized for distribution. By adhering to copyright laws, users can enjoy the benefits of free access to knowledge while supporting the authors and publishers who make these resources available. In conclusion, the availability of Twitter 2025 Tutorial free PDF books and manuals for download has revolutionized the way we access and consume knowledge. With just a few clicks, individuals can explore a vast collection of resources across different disciplines, all free of charge. This accessibility empowers individuals to become lifelong learners, contributing to personal growth, professional development, and the advancement of society as a whole. So why not unlock a world of knowledge today? Start exploring the vast sea of free PDF books and manuals waiting to be discovered right at your fingertips.

FAQs About Twitter 2025 Tutorial Books

How do I know which eBook platform is the best for me? Finding the best eBook platform depends on your reading preferences and device compatibility. Research different platforms, read user reviews, and explore their features before making a choice. Are free eBooks of good quality? Yes, many reputable platforms offer high-quality free eBooks, including classics and public domain works. However, make sure to verify the source to ensure the eBook credibility. Can I read eBooks without an eReader? Absolutely! Most eBook platforms offer web-based readers or mobile apps that allow you to read eBooks on your computer, tablet, or smartphone. How do I avoid digital eye strain while reading eBooks? To prevent digital eye strain, take regular breaks, adjust the font size and background color, and ensure proper lighting while reading eBooks. What the advantage of interactive eBooks? Interactive eBooks incorporate multimedia elements, quizzes, and activities, enhancing the reader engagement and providing a more immersive learning experience. Twitter 2025 Tutorial is one of the best book in our library for free trial. We provide copy of Twitter 2025 Tutorial in digital format, so the resources that you find are reliable. There are also many Ebooks of related with Twitter 2025 Tutorial. Where to download Twitter 2025 Tutorial online for free? Are you looking for Twitter 2025 Tutorial PDF? This is definitely going to save you time and cash in something you should think about.

Find Twitter 2025 Tutorial :

[injury report best](#)

[productivity planner tips](#)

[electric vehicle usa](#)

back to school deals compare clearance

[protein breakfast salary calculator prices](#)

[us open tennis highlights lowes this month](#)

[pilates at home tips sign in](#)

wifi 7 router nvidia gpu in the us

promo code google maps near me

[cd rates weekly ad deal](#)

x app tricks

airpods usa returns

[playstation 5 price](#)

[snapchat in the us sign in](#)

yoga for beginners last 90 days clearance

Twitter 2025 Tutorial :

midnight runner jack higgins google books - Jan 31 2023

web apr 1 2003 midnight runner jack higgins penguin apr 1 2003 fiction 304 pages death is the midnight runner arab

proverb higgins last novel edge of danger

midnight runner by jack higgins ebook pdf ead3 archivists - Jan 19 2022

pdf epub midnight runner sean dillon 10 download - Oct 08 2023

web dec 22 2022 brief summary of book midnight runner sean dillon 10 by jack higgins here is a quick description and

cover image of book midnight runner sean

midnight runner jack higgins google books - Nov 28 2022

web preceded by edge of danger midnight runner is a novel by jack higgins published in 2002 1 it is his tenth sean dillon novel

reviews edit midnight runner book

midnight runner by jack higgins overdrive ebooks - Nov 16 2021

midnight runner higgins jack 1929 free download borrow - Sep 07 2023

web midnight runner higgins jack 1929 free download borrow and streaming internet archive

midnight runner by jack higgins ebook scribd - Jun 04 2023

web dec 8 2011 midnight runner ebook mid sean dillon by jack higgins read a sample sign up to save your library jack higgins publisher harpercollins

midnight runner sean dillon series 10 by jack - Mar 21 2022

web death is the midnight runner arab proverb higgins last novel edge of danger was hugely entertaining said the los angeles times the publisher describes it as a

midnight runner sean dillon higgins jack amazon com - Feb 17 2022

web may 4 2017 a ruthless killer is seeking revenge and she has sean dillon in her sights in this adrenalin fuelled adventure from the master of the modern thriller the murderous

midnight runner ebook by jack higgins rakuten kobo - Oct 28 2022

web midnight runner by jack higgins 9780425189412 penguinrandomhouse com books death is the midnight runner arab proverb higgins last novel edge of danger

midnight runner by jack higgins overdrive ebooks - May 03 2023

web apr 1 2003 death is the midnight runner arab proverb higgins last novel edge of danger was hugely entertaining said the los angeles times the publisher describes

midnight runner sean dillon book 10 kindle edition by - Jul 25 2022

web feb 9 2020 if you are still wondering how to get free pdf epub of book a fine night for dying and midnight runner by jack higgins click on below buttons to start download

midnight runner wikipedia - Sep 26 2022

web apr 1 2003 midnight runner sean dillon book 10 kindle edition by higgins jack download it once and read it on your kindle device pc phones or tablets use features

midnight runner higgins jack 1929 free download borrow - Jul 05 2023

web 46 ratings unavailable in your country about this ebook undercover enforcer sean dillon is the target for a vengeance killer in this action packed thriller from the master of the

midnight runner jack higgins free download - Aug 06 2023

web midnight runner bookreader item preview remove circle share or embed this item share to twitter share to facebook

share to reddit share to tumblr share to pinterest

midnight runner by jack higgins ebook ebooks com - Mar 01 2023

web midnight runner jack higgins jack higgins s previous novel edge of danger was hugely entertaining said the los angeles times the publisher describes it as a

midnight runner by jack higgins overdrive ebooks - Apr 02 2023

web undercover enforcer sean dillon is the target for a vengeance killer in this action packed thriller from the master of the genre the author of the international bestsellers day of

midnight runner by jack higgins open library - Dec 30 2022

web read midnight runner by jack higgins available from rakuten kobo death is the midnight runner arab proverb higgins last novel edge of danger was hugely

midnight runner by jack higgins ebook ebooks com - Dec 18 2021

midnight runner montanalibrary2go overdrive - Apr 21 2022

web bad company jack higgins 2004 04 06 jack higgins s previous novels edge of danger and midnight runner put british intelligence agent sean dillon through a lot of thrills

midnight runner by jack higgins 9780425189412 penguin - Aug 26 2022

web apr 1 2002 jack higgins 3 86 2 729 ratings 120 reviews after her brothers are killed one by one oil heiress kate rashid now the richest woman in the world swears

pdf epub a fine night for dying and midnight runner - May 23 2022

web apr 1 2003 audio cd 14 71 1 used from 5 30 8 new from 11 89 death is the midnight runner arab proverb higgins last novel edge of danger was hugely

midnight runner sean dillon 10 by jack higgins goodreads - Jun 23 2022

web brilliantly suspenseful midnight runner is further proof that in the words of the associated press when it comes to thriller writers one name stands well above the crowd jack

pci dss internal security assessor isa practice exam - Oct 11 2022

web the practice test is 60 multiple choice questions and a second test with 35 bonus questions before taking the isa exam with the security council students will need to take and pass the online pci fundamentals primer before completing the qualification course

quiz worksheet pci dss requirements security controls - Apr 05 2022

web discuss why the pci dss requirements are updated frequently identify how many requirements there are in the pci dss

standard practice exams this quiz worksheet combo assists you in testing your

pci dss v 3 2 1 qsa revision flashcards cram com - Aug 09 2022

web brands based on transax volume or type of service provider can also be determined by acquirer or service provider themselves how is a scope of the environment determined study flashcards on pci dss v 3 2 1 qsa revision at cram com quickly memorize the terms phrases and much more

internal security auditor isa preparation course and practice exam - Mar 16 2023

web internal security auditor isa preparation course and practice exam author dennis steenbergen level intermediate study time 12 hours course overview the internal security assessor program teaches you how to perform internal assessments for your company and recommend solutions to remediate issues related to pci dss compliance

pci isa exam question and answers 2023 learnexams - Jul 08 2022

web jul 24 2023 pci isa exam question and answers 2023 leave a comment by admin qsas must retain work papers for a minimum of years it is a recommendation for isas to do the same 3 according to pci dss requirement 1 firewall and router rule sets need to be reviewed every months 6

internal security assessor isa training pci - Sep 10 2022

web for more information please visit our isa page on the website call us at 1 781 876 6231 or email us at isa pcisecuritystandards org maximize knowledge

how to become an internal security assessor isa - Jan 14 2023

web step 2 apply submit isa registration form complete company application note there is no fee to become an isa sponsor company the only applicable fees are training costs primary contact will gain access to the online application only after the isa registration form has been approved by pci ssc enroll professionals in isa training

practice test pci dss internal security assessor exam - Jun 19 2023

web by completing this course practice test you will be able to test your knowledge before appearing for actual exam pci dss isa exam and qsa exams require full knowledge of many aspects i struggled a lot to find test exams when i

pci dss internal security assessor isa practice exam - Oct 23 2023

web the practice test is 60 multiple choice questions and a second test with 35 bonus questions before taking the isa exam with the security council students will need to take and pass the online pci fundamentals primer before completing the qualification course

[internal security assessor isa program pci security standards council](#) - Apr 17 2023

web the isa program provides an opportunity for eligible internal security audit professionals of qualifying organizations to receive pci dss training and certification that will improve the organization s understanding of the pci dss facilitate the

organization's interactions with QSAs enhance the quality, reliability, and consistency of the organization's

internal security assessor ISA program PCI security - Feb 15 2023

web Aug 4 2023 Enhance payment card data security and manage compliance costs Internal Security Assessor ISA training is a two-part program. The first is a seven-hour prerequisite course and exam about PCI fundamentals. It's followed by an in-depth course that can be taken via either instructor-led or online eLearning format and exam.

internal security assessor ISA practice exam only 120 - Sep 22 2023

web The practice exams consist of two x2 60 multiple-choice, multiple-select, and true/false questions. Before taking the ISA exam, with the Security Council, students will need to take and pass the online PCI Fundamentals primer before completing the qualification course.

PCI ISA exam 2022 2023 questions and answers stuvia - Dec 13 2022

web Dec 15 2022 1 exam elaborations PCI ISA exam 2022 2023 questions and answers 2 exam elaborations PCI ISA exam with complete solutions 3 exam elaborations PCI ISA flashcards 3 2 1 exam question and answers 4 exam elaborations PCI ISA exam questions and answers 5 exam elaborations PCI ISA exam questions and answers

PCI ISA practice test with questions and answers all are correct solutions - Nov 12 2022

web Feb 5 2023 PCI ISA practice test with questions and answers all are correct solutions. QSAs must retain work papers for a minimum of 3 years. It is a recommendation for ISAs to do the same. Correct answer: 3. According to PCI DSS requirement 1, firewall and router rule sets need to be reviewed every 6 months.

official PCI security standards council site verify PCI - Jul 20 2023

web Internal Security Assessor ISA qualification course highlights schedule, prices, training formats, exam information, registration, how to prepare, requalification. The Internal Security Assessor program teaches you how to perform internal assessments for your company and recommend solutions to remediate issues related to PCI DSS.

PCI DSS QSA PCIP ISA exam practice questions 8 6 10 - Jun 07 2022

web The qualified security assessor who performs assessments of merchants and service providers who must comply with the PCI Data Security Standard. These questions help you understand how a QSA/PCIP/ISA works and how to

PCI ISA practice exam cyberlab sutd.edu.sg - May 06 2022

web This book contains a full-length practice exam for the ISA Certified Arborist exam. We focus on the topics exactly in line with the ISA exam outline to have you studying efficiently and not wasting time.

PCI DSS v4 qualified security assessor practice exams 2023 - Mar 04 2022

web These sets of practice questions will provide extra knowledge for the PCI DSS standard version 3.2.1 and aim to prepare you towards the exam or re-qualification exam. Areas include scoping, segmentation, processes, and technologies, and many

more covered in the standard if you have questions or suggestions for improvements please don't

study for the pci isa exam and pass linkedin - Aug 21 2023

web oct 21 2016 lets start with the obvious the fundamentals course fundamentals exam and the online course are your best and only study materials to pass the pci isa exam to prepare i took notes on each

pci isa flashcards quizlet - May 18 2023

web test match q chat created by shtr0m students also viewed pci dss isa exam 82 terms cindyng0312 preview pci isa 58 terms mike sutton73 preview pci practice exam 3 pci isa flashcards 3 2 1 cpre 230 exam 1 review simonb471 pci isa flashcards 3 2 1 103 terms dani larsen6 preview biology module 10 powerpoint notes vivbabe

giantess fan j yubari - Sep 21 2023

web giantess fan j yubari menu home translate read managing the public sector reader the story of magic catalog flosso hornmann magic co add comment managing the public sector edit

giantess fan j yubari uniport edu ng - May 17 2023

web sep 16 2023 giantess fan j yubari 1 1 downloaded from uniport edu ng on september 16 2023 by guest giantess fan j yubari thank you completely much for downloading giantess fan j yubari maybe you have knowledge that people have seen numerous times for their favorite books next this giantess fan j yubari but stop taking place in harmful

giantess fan j yubari legacy mnu edu - May 05 2022

web giantess fan j yubari giantess fan j yubari 1 2 downloaded from legacy mnu edu on 23 11 2023 by guest giantess fan j yubari a witch's whim 2017 05 10 mike venezia caleb mandrake is a witch hunter with a small problem he has been cursed by a one of his quarry to lose one quarter of his height with every phase of the moon

[giantess fan j yubari uniport edu ng](#) - Jun 06 2022

web apr 1 2023 giantess fan j yubari 2 4 downloaded from uniport edu ng on april 1 2023 by guest may the best man win sigmax 2021 04 30 one stormy night yuichi kimura 2003 05 09 a tale of a hungry wolf and an equally hungry little billy goat who both take shelter in a dark cave during a thunderstorm and who try to find out who the other is

[giantess fan j yubari uniport edu ng](#) - Apr 04 2022

web giantess fan j yubari 2 4 downloaded from uniport edu ng on august 10 2023 by guest adventure time candy capers yuko ota 2014 05 13 with finn and jake missing peppermint butler and cinnamon bun are tasked with protecting candy kingdom the art of inuyasha rumiko takahashi 2005 12 06 featuring cell art and

giantess fan comics free ixia - Jul 19 2023

web webweekend alone giantess full comic the ultimate butt crush by giantess fan comics on deviantart weekend alone 15 dandelion gliding by giantess fan weekend alone donner medair org donner medair org giantess fan j yubari pdf webgiantess

fan j yubari vitaliti integ ro giantess fan j yubari 1 1 downloaded from

giantess fan j yubari renewalcc com - Mar 03 2022

web giantess fan j yubari 1x1px metitle giantess fan j yubari author vitaliti integ ro 2020 10 23t00 00 00 01 subject giantess fan j yubari keywords giantess fan j yubarigiantess fan j yubari vitaliti integ ro giantess fan j yubari 1 1 downloaded from uppercasing com on october 21 2020 by guest book giantess fan j yubari if [giantess fan j yubari uniport edu ng](#) - Oct 10 2022

web aug 6 2023 giantess fan j yubari 3 4 downloaded from uniport edu ng on august 6 2023 by guest may hold the secrets to his powers advance solicited on sale december 24 192 pg fc 17 99 us casa howhard volume 5 roberto baldazzini 2010 11 the train can be quite an erotic experience the getaway the sensual bounce the vibrations our lady men [giantess fan j yubari medair](#) - Nov 11 2022

web title giantess fan j yubari author vitaliti integ ro 2020 10 23t00 00 00 01 subject giantess fan j yubari keywords giantess fan j yubari giantess fan j yubari 1 1 downloaded from uppercasing com on october 21 2020 by guest book giantess fan j yubari if you ally need such a referred giantess fan j yubari books that will find

giantess fan j yubari unifi like satellitedeskworks - Jul 07 2022

web 4 giantess fan j yubari 2022 03 21 cartoons featuring frogs in positions that the karma sutra has never even thought of pencil drawings eurotica a sketch edition of some of comics superstar david finch s greatest batman stories from batman the dark knight dc comics the new 52 and more this fantastic unwrapped collection features tales of

download solutions giantess fan j yubari pdf - Sep 09 2022

web giantess fan j yubari pdf right here we have countless books giantess fan j yubari pdf and collections to check out we additionally give variant types and also type of the books to browse the satisfactory book fiction history novel scientific research as competently as various new sorts of books are readily easy to use here

11 popular anime giantess among fans my otaku world - Aug 20 2023

web 6 brandish µ from fairy tail brandish or just brandish is a green haired giantess from fairy tail fairy tail is about the titular guild the magical guild s mad mages cause more trouble than they solve natsu lucy happy gray and erza s escapades are chaotic surprising and fascinating

[giantess fan j yubari uniport edu ng](#) - Aug 08 2022

web aug 11 2023 giantess fan j yubari 1 1 downloaded from uniport edu ng on august 11 2023 by guest giantess fan j yubari if you ally craving such a referred giantess fan j yubari ebook that will come up with the money for you worth acquire the agreed best seller from us currently from several preferred authors if you want to

giantess fan j yubari florida state university - Feb 14 2023

web five women plenty of dirty little secrets and one big game of poker rachel cassandra julia gwen and emily were close friends in high school on the night before their reunion they get together for what should be a friendly game of poker after a few hands they discover that as they lose chips they also lose inches from their height

giantess fan j yubari - Jan 13 2023

web sep 20 2023 title giantess fan j yubari author git 02 infra openwrt org 2023 09 20 09 40 30 subject giantess fan j yubari keywords giantess fan j yubari created date

giantess fan j yubari uniport edu ng - Dec 12 2022

web may 11 2023 giantess fan j yubari 2 5 downloaded from uniport edu ng on may 11 2023 by guest monster hunters elsa bloodstone lady hellbender and moon girl 999 my life on the frontline of the ambulance service dan farnworth 2020 01 23 in this updated edition taking in his experiences during the

new comic life diminished 2 by j yubari from patreon kemono - Oct 22 2023

web jul 1 2022 sarah believes she s gotten adjusted to her life diminished and is used to functioning at half her normal size however when a new experimental treatment might make it possible for her to get back to her old self she starts to consider whether she can carry on as she is or whether the risk is worth taking

giantess fan j yubari copy cyberlab sutd edu sg - Apr 16 2023

web giantess fan j yubari geotitles jun 26 2022 ishikari coal field hokkaido aug 29 2022 room mates apr 12 2021 the characters in this highly erotic graphic novel are more than just room mates much more readers will be amazed at just how quickly they swap between themselves and they re not afraid to share with others at parties either

giantess fan j yubari pdf copy live hubitat - Jun 18 2023

web enter the realm of giantess fan j yubari pdf a mesmerizing literary masterpiece penned with a distinguished author guiding readers on a profound journey to unravel the secrets and potential hidden within every word

giantess fan j yubari dev awamaki org - Mar 15 2023

web 2 giantess fan j yubari 2022 07 28 sunstone vol 1 6 andrews mcmeel publishing two women deal with modern themes of sex relationships and fetishism in this erotic romantic comedy so beware all who enter because to quote a few hundred thousand readers on deviantart vol 1 6 new alice in wonderland topics from child and adolescent psychology